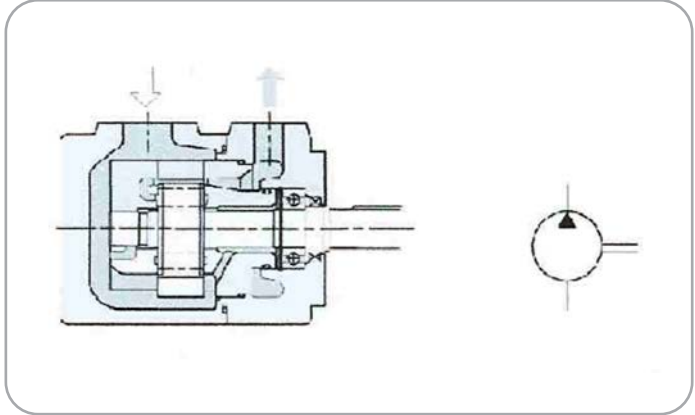


PV2R SERIES SINGLE PUMPS

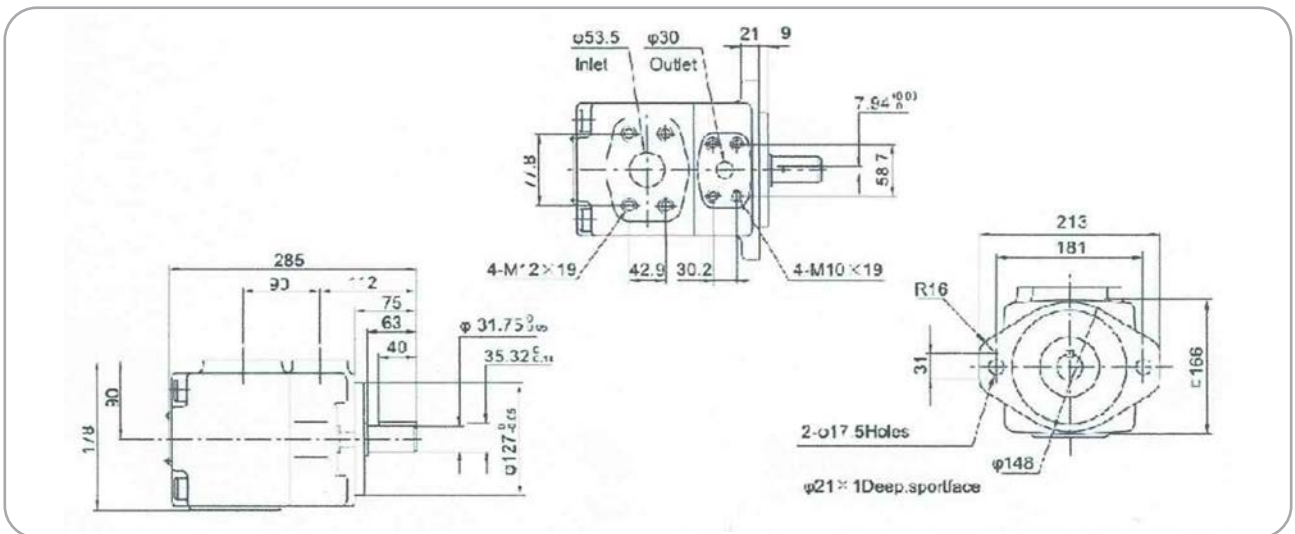


Model Code

F-	PV2R2	-47	-F	F	-1	R	U	-10
Prefix, fluid compatibility	Series	(ml/rev) Geometric Displacement	Mounting	Port connections	Shaft	Rotation	Outlet position	Desing 10
Omit-using:	PV2R1	6,8,10,12,14,17,19,23,25,28,31	F: Flange mounting	P-Sae 4-Bolt Flange S-Ttd Flange	1-Sir key (standart) 2-Str.key	Viewed from shaft end		
Antiwear oil water glycol fluid	PV2R2	26,33,41,47,53,59,65,75	Standard			R: Clockwise CW Standart L: Counter clockwise CCW	U-UP Standart D: Down R: Right L: Left	
F-phosphate ester fluid	PV2R3	52,60,66,76,85,94,116,125,136,153	L-Foot mounting					

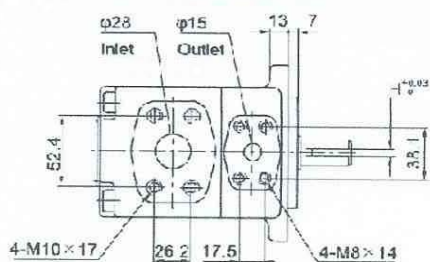
Note: 1. Please contact us, if you have any special needs. 2. Inlet port is set to be on the upper side 3. For options other than listed above (shafts, ports, displacements, and mountings), please contact us.

PV2R3-Flange Mounting)



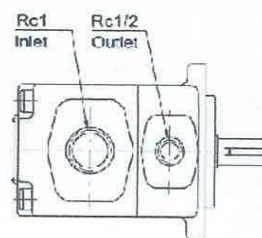
Installation dimensions

PV2R1-FF(Flange Mounting)

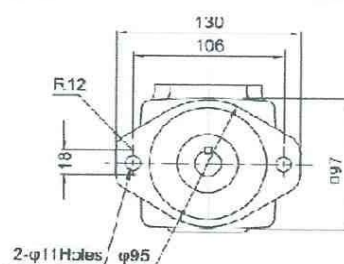


Shaft form	A	B	C	D	F	G	H
1	178.5	69.5	44.5	36	19.05	21.24	4.76
2	184	75	50	41	15.85	17.68	3.97

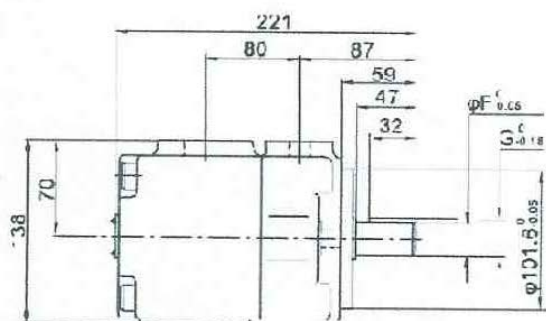
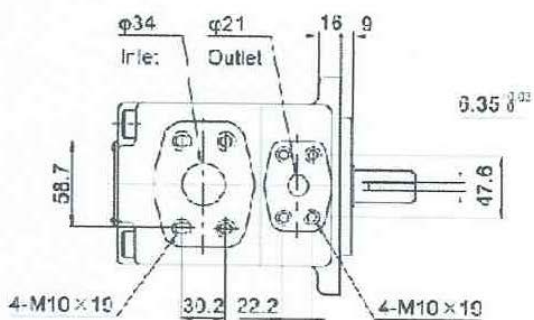
PV2R1-FS(Thd Flange)



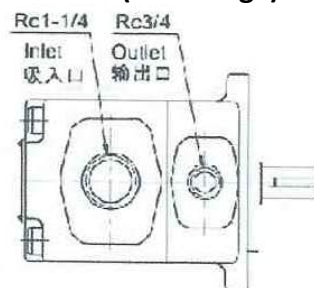
For other dimensions refer to "flange mounting" type



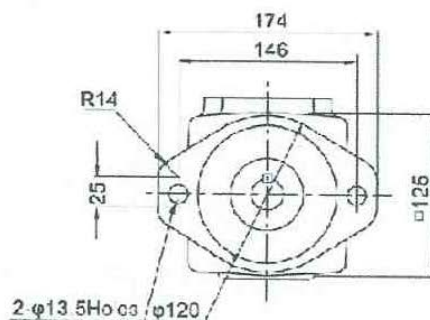
PV2R2-F(Flange Mounting)



PV2R2-FS(Thd flange)



For other dimensions refer to "flange mounting" type



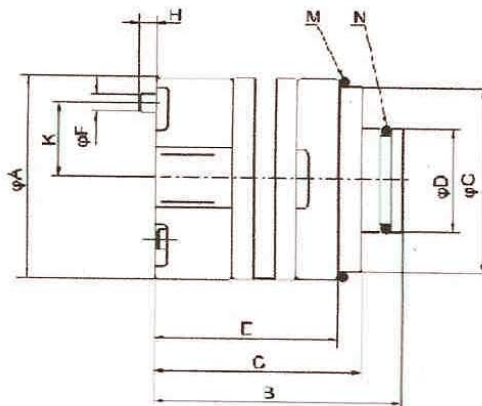
φ21 × 1 Deep sportface

Shaft form	F	G
1	25.4	28.18
2	22.23	25.01

Specifications

Model	Displacement mL/r	Max. pressure MPa Special oil	Flow L/min					Input power kW					Speed r/min		Weight kg.
			Discharge pressure MPa					Discharge pressure MPa					Min.	Max.	
			0.7	7	14	pn	21	0.7	7	14	pn	21			
PV2R1-6	5.8	21	8.4	7.5	6.5	6.0	5.6	0.2	1.5	3.0	3.7	4.4	750	1800	9.0
PV2R1-8	8.0		11.7	10.8	9.9	9.4	9	0.2	2	3.8	4.8	5.2			
PV2R1-10	9.4		13.6	12.9	11.9	11.5	10.8	0.3	2.3	4.3	5.3	6.4			
PV2R1-12	12.2		18.0	17.0	15.8	15.2	14.8	0.3	2.7	5.2	6.5	7.8			
PV2R1-14	13.7		20.2	19.0	17.8	17.2	16.7	0.3	3	5.7	7.2	8.5			
PV2R1-17	16.6		24.5	23.5	22.2	21.5	21	0.4	3	6.8	8.5	10.1			
PV2R1-19	18.6		27.5	26.5	25.1	24.5	24	0.4	3.6	7.7	9.5	11.5			
PV2R1-23	22.7		33.2	32.2	31.1	30.5	30	0.5	4.6	9.4	12	14			
PV2R1-25	25.3		37.0	36.0	35.0	34.1	33.8	0.5	5	10.5	12.7	16			
PV2R1-28	28.1		41.1	40	38.5	37.8	37.1	0.55	5.4	10.6	13	16.5			
PV2R1-31	31.0	16	45.8	44.5	43.4	43	-	0.6	6.1	12.4	14.4	-			
PV2R2-26	26.6	21	39.0	36.0	34	32.5	31.2	0.6	6	11	13.5	16.5	600	1800	19.0
PV2R2-33	33.3		49.0	47.0	44	42.8	42	0.6	7.5	14	17	20.5			
PV2R2-41	41.3		61.0	58.9	56.1	55	53.5	0.9	8.2	16	20.5	24.5			
PV2R2-47	47.2		70.0	67.5	64.6	63.8	62	1	9	18	23.5	27			
PV2R2-53	52.5		77.0	73.1	71	69	67	1.1	10	20.5	26	31			
PV2R2-59	58.2		85.0	82.0	79	77	76	1.2	12	23.5	29	34			
PV2R2-65	64.7		95.0	91.5	88	86	85	1.3	13	26	32	38			
PV2R2-75	74.6	109	105	101	99.2	98	1.5	15	30	37	43				
PV2R3-52	52.2	21	77.0	71.0	65	62	58	1.1	12	21.5	26.5	31.5	600	1800	36.7
PV2R3-60	59.6		88.0	82.0	75	71	68	1.2	12.5	23	29	35			
PV2R3-66	66.3		98.0	92.0	85	81	77.5	1.3	13	26	32.5	38			
PV2R3-76	76.4		112	107	101	97	94	1.6	16	30	37	44			
PV2R3-85	85		125	119	112.5	108	105.4	1.7	14.5	33	41	48.5			
PV2R3-94	93.6		138	132	124	120	117	1.9	19	36	45	53			
PV2R3-116	115.6	16	171	165	157	156	-	2.3	22	44	50	-	600	1200	36.7
PV2R3-125	122.2		181	175	166	165	-	2.4	24	45	51	-			
PV2R3-136	136		202	195	186	184	-	2.7	26.2	50.2	57	-			
PV2R3-153	153		228	219	208	207	-	3	29.4	56.1	63.6	-			

PV2R Series Cartridge Kits



Series	A	B	C	D	E	F	G	H	K	M	N
PV2R1	68	84	70	35	62	6	62.7	5	R25	59.4 x 3.1	29.4 x 3.1
PV2R2	90	109	93	52	82	6	84.7	5	R36	84.4 x 3.1	45.7 x 3.5
PV2R3	120.5	127.5	106	72	94	8	115	8	R48	114.4 x 3	65.0 x 3.5

Series	Inner splines dentiform parameter of rotor					
	Moculus	No.of teeth	Pressure angle	Major dia	Minor dia	Space width
PV2R1	0.75	24	45	19.050	17.550	1.328
PV2R2	1.0	24	45	25.400	23.400	1.771
PV2R3	1.0	28	45	29.100	27.400	1.771

Model Code

PC-	PV2R1	-23	-R
Cartridge kit mark	Series	Geometric Displacement mL/r	Rotation
PC-Single pump cartridge kits Double pump shaft end pump cartridge kits FCT-Double pump cover end pump cartridge kits	PV2R1	6,8,10,12,14,19,23,25,28,31	(Viewed from shaft end) R-Right hand for clockwise L-Left hand for counter clockwise
	PV2R2	20,33,41,47,53,59,65,75	
	PV2R3	52,60,66,76,85,94,116,125,116,125,136,153	