

DÜŞÜK SES TİPİ SOLENOİD KONTROLLÜ EMNİYET VALFİ

LOW NOISE TYPE SOLENOID CONTROLLED RELIEF VALVES

SBSG - 06



İŞLEVİ / FUNCTION

DÜŞÜK SES TİPİ SOLENOİD EMNİYET VALFİ SOLENOİD YÖN VALFİ TAKILARAK ELEKTRİK SİNYALİ İLE POMPADAKİ YÜKÜ BOŞALTMAK VEYA UZAKTAN İKİ YA DA ÜÇ TİP BASINCI KONTROL ETMEK İÇİN KULLANILIR.
(SOLENOİD VALF EMNİYET VALFİNE DAHİL DEĞİLDİR. ORANSAL VE DİREKT KONTROLLÜ SOLENOİD VALFLERİ KATALOGTAKİ YERLERİNDEN S-DF * -02(1/4) - * - * BAKINIZ)

THE LOW NOISE TYPE SOLENOID CONTROL RELIEF VALVES CAN CONNECT WITH SOLENOID DIRECTIONAL CONTROL VALVES, BY USING ELECTRIC SIGNAL TO UNLOAD THE PUMPS' PRESSURE OR REMOTE CONTROL TWO OR THREE CLASSES OF PRESSURE TO THE SYSTEM. (SOLENOID DIRECTIONAL CONTROL VALVE IS NOT INCLUDED HERE, WHEN CHOOSE SOLENOID OPERATED DIRECTIONAL VALVE, PLS SEE PROPORTIONAL AND DIRECTIONAL CONTROL VALVES'. FOR SOLENOID RATINGS AND ORDERING CODE OF S-DF * -02(1/4) - * - *)

DÜŞÜNCELER / REMARKS

* UZAKTAN KUMANDALI EMNİYET VALFLERİ BOŞALTIMA DEVRELERİNDE KULLANILIR. EĞER BOŞALTIMA BORUSU HACMİ ÇOK GENİŞSE SES ARTABİLİR, BU DURUMDE BORU ÇAPINI DARALTIN.

THE REMOTE CONTROL RELIEF VALVES ARE USED IN DRAIN CIRCUIT. IF INTERNAL VOLUME OF DRAIN PORT IS TOO LARGE, THEN " CHATTERING " MIGHT BE HAPPENED. SO TRY TO MINIMIZE INTERNAL DIAMETER AND LENGHT OF PIPE.

* BASINCI AYARLAMAK İÇİN KİLİDİ KALDIRIN VE VANAYI ÇEVİRİN. SAAT YÖNÜNDE ARTTIRMAK, SAAT YÖNÜNÜN TERSİNE İSE AZALTMAK İÇİN KULLANIN. BİR TAM VANA TURU BASINCI 50 BAR DEĞİŞTİRİR. İŞLEMDEN SONRA KİLİDİ TAKMAYI UNUTMAYIN. WHEN ADJUST PRESSURE, RELEASE LOCK NUT THEN SLOWLY TURN THE TRIANGLE HAND KNOB. USE CLOCKWISE TURN TO INCREASE THE PRESSURE AND USE COUNTER CLOCKWISE TURN TO DECREASE THE PRESSURE. THE PRESSURE CHANGE OF ONE CIRCLE TURN OFF HAND KNOB, IS 50 BARS. AFTER ADJUSTMENT, PLEASE DONT FORGET TO CREW UP THE LOCK NUT.

* TANKA TAHLİYE BORUSU DİĞER SİSTEM ELEMANLARI İLE ORTAK KULLANILMAZ.

THE PIPE OF RETURN OIL TO TANK, CANNOT CONNECT WITH PIPE OF OTHER VALVES' RETURN LINE, SHOULD RETURN TO OIL TANK DIRECTLY.

* SİSTEM DÜŞÜK DEBİLERDE KULLANILIRSA, BASINÇ AYARLAMA DENGELİ OLMAYABİLİR. BU DURUMDA 06 SERİLERİ İÇİN DEBİ 5L / DK OLMALIDIR.

WHEN USED IN SMALL FLOW, PRESSURE ADJUSTING MIGHT BE UNSTABLE. SO WHEN USE MODEL 06 SERIES, FLOW CONDITIONS SHOULD MORE THAN 5L / MIN (1.3 GPM).

SİPARİŞ KODU / ORDERING CODE

SBSG -- 06 -- IPN -- A -- 50

DİZAYN NUMARASI / DESIGN NUMBER

BASINÇ AYAR ARALIĞI / PRESSURE ADJUSTING RANGE
A: 7-70 KGF/CM² (100 - 1000 PSI)
B: 35-140 KGF/CM² (500 - 2000 PSI)
C : 70-250 KGF/CM² (1000 - 3600 PSI)

EMİŞ YUVASI TİPİ / TYPE OF DRAIN PORT:
1PN: NORMAL DELİK / NORMALLY VENTED
2PN: ÇİFT BASINÇ VE DELİK / DUAL PRESSURE AND VENT
1NP: ENERJİLİ DELİK / ENERGIZED TO VENT
3P : ÜÇ BASINÇ / THREE PRESSURE
2P : İKİ BASINÇ / DUAL PRESSURE

YUVA BOYUTU / PORT SIZE
06:3/4"

G: ALT PLAKA BAĞLANTI İÇİN / FOR SUBPLATE MOUNTING

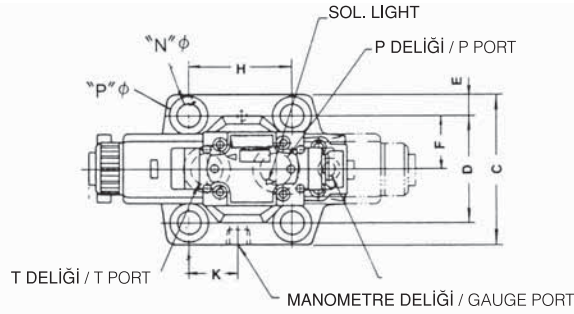
SBSG - 06 SERİLERİ / SERIES

TEKNİK BİLGİ / TECHNICAL DATA

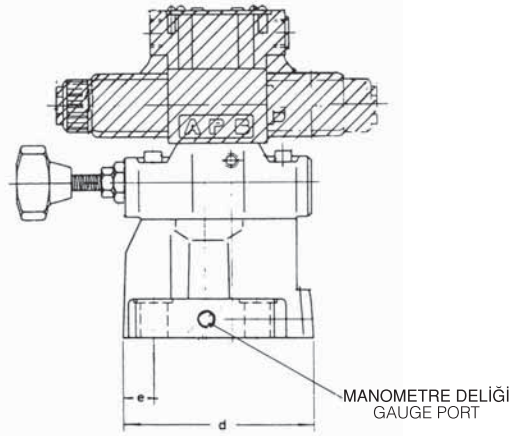
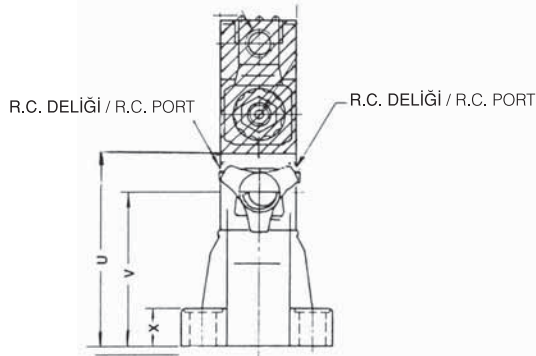
MODEL NO	MAKS. BASINÇ MAX. PRESSURE KGF / CM ² (PSI)	BASINÇ AYAR ARALIĞI PRESSURE ADJ. RANGE KGF / CM ² (PSI)	MAKS. DEBİ ORANI MAX. FLOW RATE LPM (GPM)	MONTAJ CIVATA ÖLÇÜSÜ MOUNTINGS BOLTS METER (INCH)
SBSG - 06 SERİLERİ SBSG - 06 SERIES	250 (3600)	A: 7 - 70 (100 - 1000) B: 35 - 140 (500 - 200) C: 70 - 250 (1000 - 3600)	200 (52.8)	M16X50L(5/7" -- 2") 4 PCS

ÖLÇÜLER / DIMENSIONS

YAĞ ÇALIŞMA ÖLÇÜSÜ / MEASURED AT V= 35 CST AND T=50°C



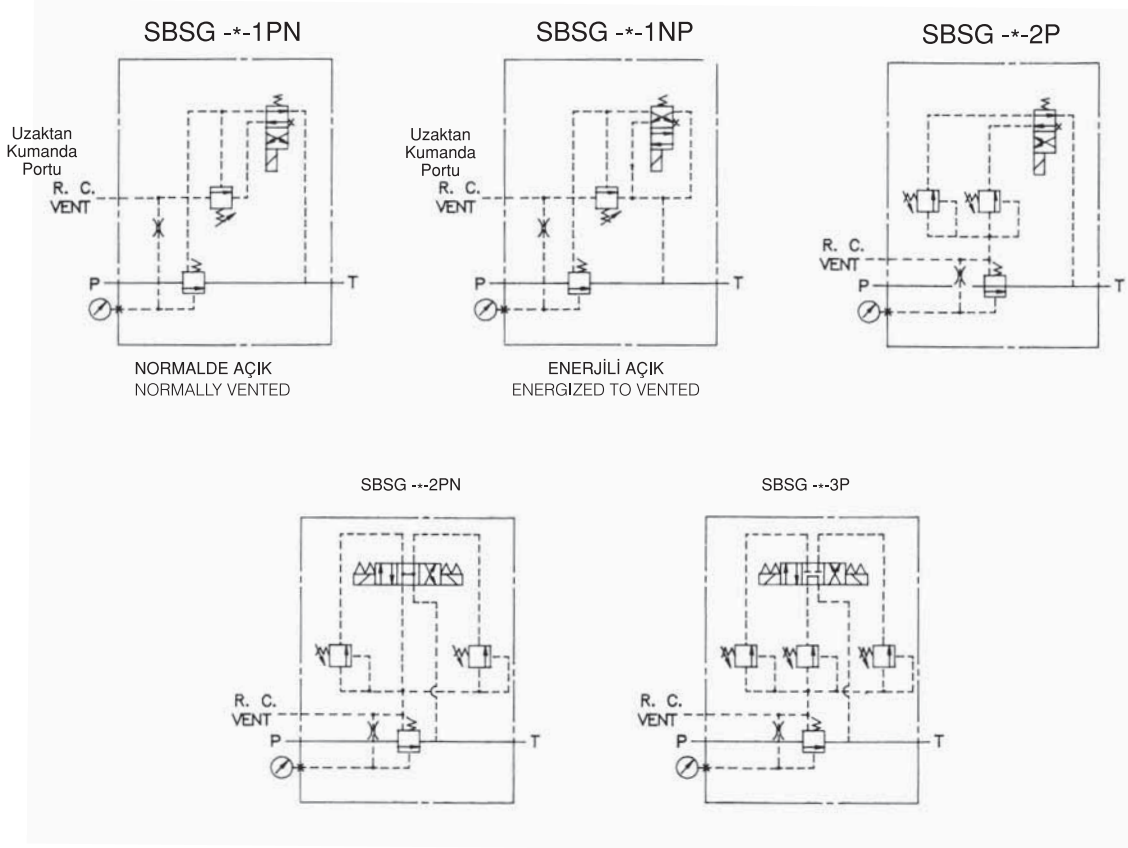
BİRİM / UNIT : MM (INCH)
AĞIRLIK / WEIGHT : 5.6 KGS



MODEL	C	D	E	F	H	J	K	N	P	U	V	X	d	e	BİRİM UNIT
SBSG06	103 4.06	70 2.76	16.3 0.64	35 1.38	66.7 2.63	92 3.63	30.5 1.20	18 0.71	26 1.02	134 5.28	105 4.13	26.5 1.04	122 4.80	20 0.79	MM INCH

SBSG - 06 SERİLERİ / SERIES

SEMBOL / SYMBOL



ÇALIŞMA TABLOLARI / FUNCTION TABLES

MODEL	GİRİŞ / INPUT		ÇIKIŞ / OUTPUT
	SOL A	SOL B	
1PN	OFF	NONE	KUMANDA PORTUNDAN / VENTED
	ON	NONE	AYARLANABİLİR BASINÇ / ADJUSTABLE PRESSURE
1PN	NONE	OFF	AYARLANABİLİR BASINÇ / ADJUSTABLE PRESSURE
	NONE	ON	KUMANDA PORTUNDAN / VENTED
2P	NONE	OFF	AYARLANABİLİR BASINÇ A'da / ADJUSTABLE PRESSURE AT A
	NONE	ON	AYARLANABİLİR BASINÇ B'de / ADJUSTABLE PRESSURE AT B
2PN	OFF	OFF	KUMANDA PORTUNDAN / VENTED
	ON	OFF	AYARLANABİLİR BASINÇ A'da / ADJUSTABLE PRESSURE AT A
	OFF	ON	AYARLANABİLİR BASINÇ B'de / ADJUSTABLE PRESSURE AT B
3P	OFF	OFF	AYARLANABİLİR BASINÇ C'de / ADJUSTABLE PRESSURE AT C
	ON	OFF	AYARLANABİLİR BASINÇ A'da / ADJUSTABLE PRESSURE AT A
	OFF	ON	AYARLANABİLİR BASINÇ B'de / ADJUSTABLE PRESSURE AT B