

Düşük Hızlı Yüksek Torklu Hidrolik Motorlar, W11 ve W61 Serileri

Low Speed High Torque Hydraulic Motors, W11-W61 Series



W11 - W61 Serisi Orbit Hidrolik Motorlar / W11-W61 Series Orbit Hydraulic Motor

Oil Distributor	Series	Displacement cc/r [in ³ /r]	Max. Pressure MPa [PSI]	Speed Rpm	Max. Torque Nm [lbf-in]
Spool Valve	W11	50-400 [3.1-24.4]	14 [2030]	145-858	521 [4611]
	W21	50-500 [3.1-30.5]	17 [2465]	110-863	500 [4425]
	W31	100-400 [6.1-24.4]	16 [2320]	121-540	660 [5841]
	W41	245-800 [15.0-48.8]	15 [2175]	106-390	1380 [12214]
Disc Valve	W51	80-500 [4.9-30.5]	28 [4060]	142-856	860 [7612]
	W61	195-985 [11.9-60.1]	31 [4495]	155-865	1877 [16613]

Model Correspondance to Other Brands

WINMAN	Sauer Danfoss	Eaton Charlynn	Parker	M+S	SAM
W11	OMP	H Series	OMP	MP / MLHP	BG, BH
W21	OMR	S Series	TC; TB; TE; TH	MR / MLHR	BR, BS, AR
W31	OMH	--	--	--	--
W41	--	--	TF; TL; TG	MH / MLHH	--
W51	OMS	2000 Series	OMS	MS / MLHS	HR
W61	OMT;OMV	6000 Series	OMT	MT / MLHT; MV / MLHV	HT

Düşük Hızlı Yüksek Torklu Hidrolik Motorlar, W61 Serisi

Low Speed High Torque Hydraulic Motor, W61 Series

W61 Serisi Hidrolik Motor / W61 Series Hydraulic Motor



Özellikler / Specifications

Deplasman Displacement cm ³ /r [in ³ /r]		195 [11.9]	245 [15.0]	310 [18.9]	390 [23.8]	490 [29.9]	625 [38.1]	800 [48.8]	985 [60.1]
Akış Flow LPM [GPM]	Cont.	150 [33]	150 [33]	150 [33]	150 [33]	150 [33]	150 [33]	150 [33]	150 [33]
	Int.	170 [37]	210 [46]	225 [49]	225 [49]	225 [49]	225 [49]	225 [49]	225 [49]
Max. Hız Max. Speed (RPM)	Cont.	776	615	484	385	308	242	186	155
	Int.	865	836	699	572	453	354	275	230
Basınç Pressure ΔBar [Δ PSI]	Cont.	205 [2973]	205 [2973]	205 [2973]	205 [2973]	170 [2465]	140 [2030]	120 [1740]	120 [1740]
	Int.	310 [4495]	310 [4495]	310 [4495]	310 [4495]	275 [3988]	170 [2465]	140 [2030]	140 [2030]
Tork Torque Nm [lbf-in]	Cont.	572 [5063]	733 [6488]	928 [8213]	1156 [10231]	1213 [10736]	1331 [11780]	1378 [12196]	1565 [13851]
	Int.	852 [7541]	1176 [10408]	1356 [12002]	1633 [14453]	1878 [16622]	1368 [12108]	1645 [14559]	1877 [16613]

Not:

1. Hidromotor aralıklı olarak pik basınçta çıkış de eridir. Hidromotor sürekli belirtilen basınçlarda çalışabilir.
2. Motorda yüksek basınç ve maksimum hız altında çalışma olmamalıdır.
3. Çalışma süresi pik basınçta normal sürenin %10'unu geçmemelidir.
4. Önerilen hidrolik ya ı, viskozite 37-73 cSt, temizlik ISO18/13 olmalıdır.
5. Maksimum çalışma sıcaklı ı 80 °C'dir.
6. Maksimum çalışma basıncı %40 altında bir saat tam kapasite ile çalışması tavsiye edilir.
7. İzin verilen maksimum geri basıncı 100 bar, ancak önerilen geri basınç olmamalıdır. Sızıntı hattına 50 bar kapasiteli boru gerekmektedir.

Note:

1. Intermittent means the entrance of the maximum pressure; continuous working pressure means the differential pressure.
2. Motor should not work under the highest pressure and the maximum speed.
3. The running time should not exceed 10% under intermittent working conditions.
4. Recommending N68 anti-wear hydraulic oil, viscosity 37-73cSt, cleanliness ISO18/13.
5. The Maximum working temperature is 80°E.
6. One hour running time under 40% of maximum working pressure is recommended before full capacity working.
7. The maximum allowable back pressure is 10MPa, but the recommended back pressure should not exceed 5MPa.a leaking pipes is needed when exceeding.

Düşük Hızlı Yüksek Torklu Hidrolik Motorlar, W61 Serisi

Low Speed High Torque Hydraulic Motor, W61 Series

Performans Bilgileri / Performance Data

Sürekli Aralıklı Continuous Intermittent

W61-195 195ml/r

Flow (LPM)	ΔP (Mpa)								
	3.5	7	10.5	14	17	21	24	27.5	31
15	80	175	271	366	454	521	589	654	
	76	74	71	65	62	45	32	18	
30	86	179	274	371	464	545	626	704	779
	153	148	144	130	119	116	99	82	65
45	85	180	279	374	476	565	654	751	825
	230	226	221	212	202	186	168	148	118
61	79	179	280	376	475	574	664	760	845
	307	303	300	290	283	258	236	214	181
76	80	179	281	380	480	574	671	769	860
	385	379	373	365	255	332	305	280	246
91	80	174	274	375	474	575	669	770	
	462	456	450	439	430	412	388	363	
106	74	176	271	375	474	570	669	770	
	539	532	525	513	502	475	448	420	
121	70	169	269	369	470	570	670	763	
	617	609	602	590	575	541	510	480	
136	70	163	264	364	465	565	664	763	
	692	684	674	660	645	600	564	527	
151	70	164	261	364	466	559	660		
	770	759	745	733	717	666	624		
170	65	161	259	360	461	555	655		
	866	854	844	825	808	749	702		

W61-245 245ml/r

Flow (LPM)	ΔP (Mpa)								
	3.5	7	10.5	14	17	20.5	24	27.5	31
15	106	227	346	461	577	643	751	853	960
	60	56	54	48	42	39	30	12	6
30	110	237	354	475	596	701	800	905	1018
	120	116	113	104	95	81	67	48	35
45	110	235	360	482	607	721	840	955	1075
	182	179	175	165	157	141	123	107	90
61	112	236	360	487	611	730	844	960	1181
	244	240	236	228	221	202	184	163	144
76	105	232	354	485	614	735	853	980	1100
	306	301	297	287	277	256	238	217	197
91	104	231	356	482	612	735	861	979	
	365	361	357	348	338	314	290	270	
106	102	227	352	483	611	733	855	980	
	426	421	416	403	375	355	335	320	
121	91	216	346	470	600	725	850	975	
	489	481	474	461	447	422	395	370	
136	80	210	334	460	580	710	840		
	550	544	537	524	510	480	454		
151	80	202	330	456	580	700	800		
	612	606	600	585	570	538	507		
170	66	202	326	446	575	685	755		
	688	682	674	685	640	606	571		
189		195	316	441	555	670			
		758	749	731	710	675			
208		191	311	431	551	665			
		834	824	804	783	742			

W61-310 310ml/r

Flow (LPM)	ΔP (Mpa)								
	3.5	7	10.5	14	17	21	24	27.5	31
15	136	292	431	573	684	801	934	1020	1070
	47	45	42	38	32	24	17	10	3
30	140	300	451	596	732	870	985	1100	1235
	95	92	87	81	73	63	54	44	32
45	140	306	461	612	760	909	1045	1180	1330
	143	140	135	129	120	110	99	88	75
61	140	302	462	615	771	920	1060	1200	1350
	192	188	184	178	167	154	140	124	109
76	135	296	457	617	772	925	1075	1220	
	241	236	232	226	216	200	182	165	
91	130	296	456	614	774	929	1078	1226	
	289	282	278	273	260	248	232	215	
106	130	290	450	609	768	928	1073	1220	
	336	333	327	320	308	295	276	257	
121	125	285	444	600	763	918	1060		
	384	381	375	367	354	341	320		
136	120	276	434	590	748	912	1050		
	430	421	416	410	396	383	360		
151	115	271	424	578	743	902	1035		
	478	466	461	456	441	427	403		
189	110	245	384	523	682	836			
	597	582	576	570	551	534			
227		220	364	513	647	796			
		698	691	684	661	641			

W61-395 395ml/r

Flow (LPM)	ΔP (Mpa)								
	3.5	7	10.5	14	17	20.5	24	27.5	31
15	188	378	563	743	923	1083	1276	1371	1635
	37	36	34	32	28	21	13	5	1
30	188	383	578	763	953	1137	1316	1456	1635
	75	73	71	67	64	54	44	32	20
45	188	388	583	773	968	1152	1341	1540	
	114	111	108	104	99	90	80	78	
61	183	383	583	773	968	1156	1345		
	153	150	146	143	131	125	115		
76	183	383	583	778	973	1161	1356		
	192	188	186	181	174	161	151		
91	173	373	573	768	968	1156			
	228	228	224	219	211	203			
106	168	368	568	763	963	1151			
	267	265	260	254	247	235			
121	163	358	558	753	947	1146			
	305	303	298	291	281	268			
136	158	343	548	733	933	1131			
	345	339	335	328	316	300			
151	153	328	538	733	917				
	385	379	374	367	358				
189	133	303	518	733	913				
	481	474	468	459	448				
227		283	502	721	891				
		569	561	551	537				

Düşük Hızlı Yüksek Torklu Hidrolik Motorlar, W61 Serisi

Low Speed High Torque Hydraulic Motor, W61 Series

W61-490 490ml/r

Flow (LPM)	ΔP (Mpa)							
	3.5	7	10.5	14	17	20.5	24	27.5
15	235	486	725	962	1195	1408	1643	1880
30	30	29	28	27	25	21	17	12
45	235	486	734	973	1213	1442	1680	
61	60	59	57	54	51	45	38	
76	235	485	733	974	1218	1450		
91	91	89	87	84	79	71		
106	234	480	728	973	1217	1456		
121	122	121	118	114	109	100		
136	225	470	723	972	1217			
151	152	150	147	144	139			
189	220	469	719	968	1210			
227	184	181	180	176	171			
	209	459	708	957	1205			
	214	211	208	204	198			
	194	448	700	947	1200			
	244	241	237	232	226			
	175	433	683	937	1170			
	275	272	265	260	255			
	160	423	673	917	1145			
	306	303	295	290	284			
	130	364	588	857				
	382	379	365	362				
		323	546	800				
		454	442	435				

W61-625 625ml/r

Flow (LPM)	ΔP (Mpa)							
	3.5	5	7	8.5	10.5	12	14	17
15	275	425	570	709	849	954	1063	1190
30	24	24	23	22	21	18	16	15
45	295	450	604	754	923	1093	1267	1355
61	45	44	44	43	42	39	37	36
76	295	448	609	764	918	1123	1327	1375
91	72	71	71	70	68	66	64	63
106	285	445	604	759	914	1118	1323	1370
121	94	93	92	91	89	87	85	83
136	280	439	594	754	914	1118	1324	1372
151	119	118	117	116	115	112	110	107
189	264	429	585	744	904	1108	1317	1365
227	143	142	140	139	138	135	132	130
	255	414	574	734	893	1103	1312	1360
	168	166	165	164	162	159	156	153
	240	400	559	719	878	1088	1297	1345
	192	190	188	187	185	182	179	176
	220	379	539	698	853	1047		
	216	214	213	212	210	207		
	200	360	519	679	833	1012		
	240	239	238	237	236	233		
		310	469	629	788			
		298	296	294	290			
		254	430	588	742			
		355	353	350	345			

W61-800 800ml/r

Flow (LPM)	ΔP (Mpa)						
	3.5	5	7	8.5	10.5	12	14
15	434	607	838	1018	1238	1377	1646
30	18	17	17	16	15	14	13
45	419	395	828	1003	1238	1412	1606
61	36	35	35	34	33	31	29
76	379	564	794	970	1187	1358	
91	55	55	54	54	53	51	
106	339	519	758	937	1167		
121	75	74	72	71	70		
136	324	498	728	897	1135		
151	93	92	90	89	87		
189	314	468	698	857	1076		
227	111	110	109	108	105		
	309	448	648	797	1016		
	129	128	127	125	123		
	279	419	608	746			
	148	146	145	143			
	269	398	547	695			
	166	165	165	164			
	249	348	497	631			
	184	183	182	180			
		299	438	576			
		230	228	225			
			378	516			
			276	273			

W61-985 985ml/r

Flow (LPM)	ΔP (Mpa)						
	3.5	5	7	8.5	10.5	12	14
15	484	774	964	1203	1443	1567	1786
30	15	15	14	14	13	13	12
45	494	749	994	1233	1477	1637	1871
61	30	30	29	28	27	26	25
76	494	749	1000	1248	1492	1696	
91	45	45	44	43	42	41	
106	489	739	995	1243	1497		
121	61	61	60	59	58		
136	475	730	983	1233	1481		
151	77	76	76	75	74		
189	460	704	959	1217	1466		
227	92	92	91	90	89		
	444	700	949	1197	1446		
	107	107	106	105	103		
	425	674	923	1156			
	123	122	121	120			
	394	645	893	1120			
	138	138	137	135			
	365	609	864	1080			
	153	152	151	150			
	325	585	829	1047			
	191	190	189	188			
		525	809	1020			
		230	229	226			

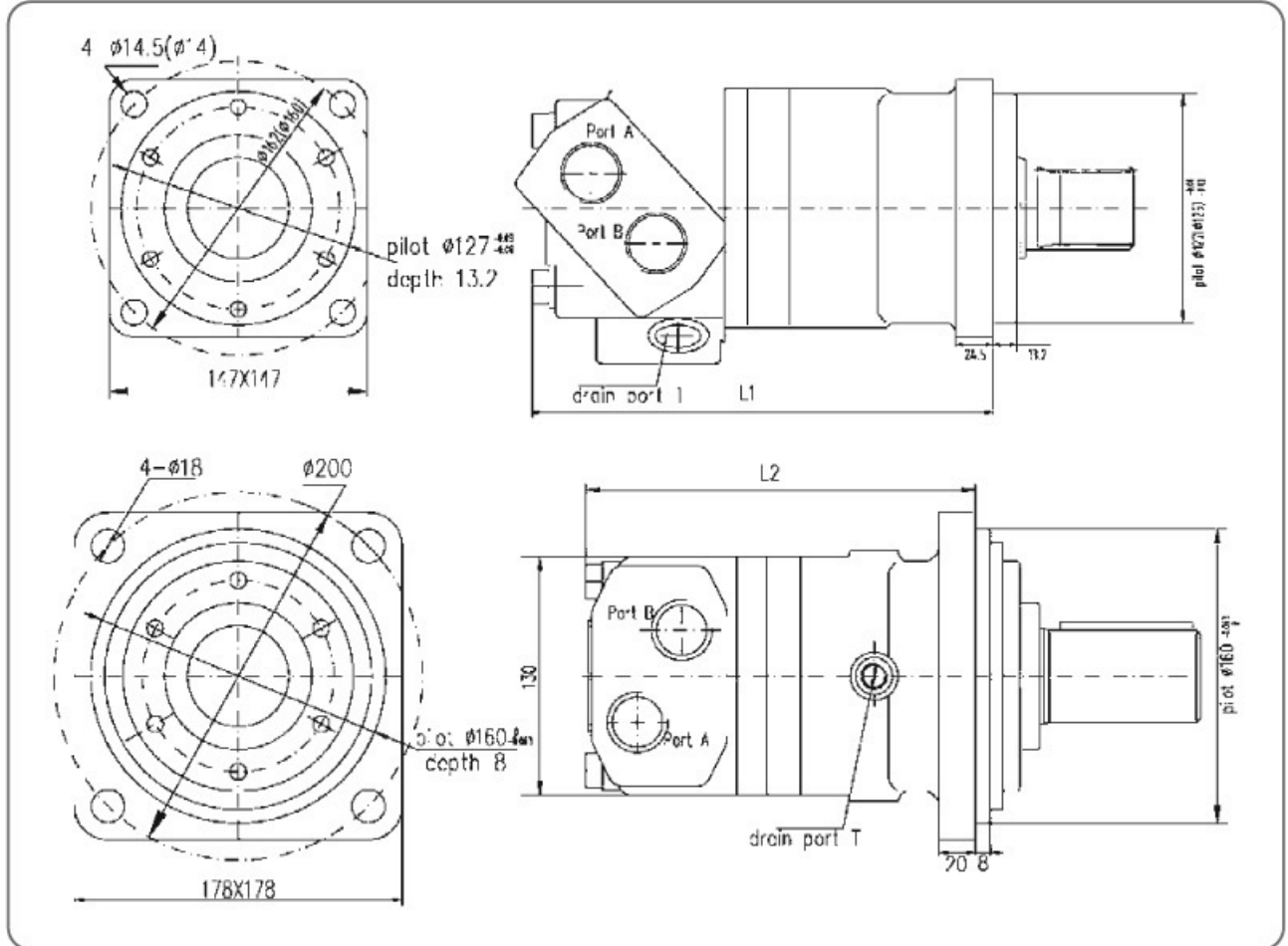
Not: Tüm testler hidrolik ya ve 50°C de yapılmıştır. Çalışma şartlarına göre de erler farklılık gösterebilir.

Note: All the data are tested at 50°C with N68 anti-wear hydraulic oil. Actual data may vary slightly from unit to unit in production.

Düşük Hızlı Yüksek Torklu Hidrolik Motorlar, W61 Serisi

Low Speed High Torque Hydraulic Motor, W61 Series

Ölçü ve Montaj Bilgileri / Dimensions and Mounting Data

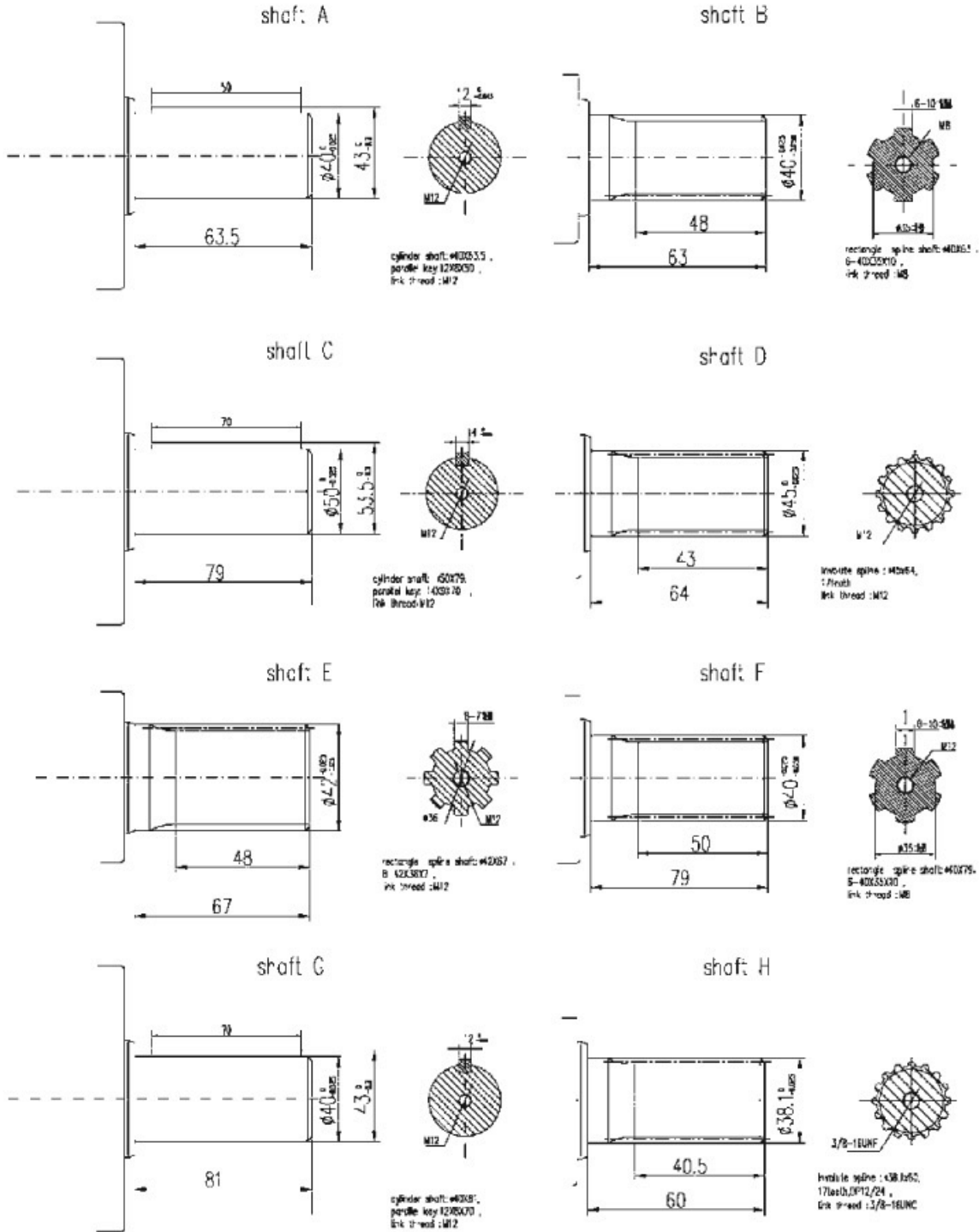


Displacement	195	245	310	395	490	625	800	985
L1	270	276	283	292	303	318	333	358
L2	230	236	2455	2515	2625	277	293	317

Milinin dönme yönü standart şaftın dönüşü
motor mili ucu bakarak,
"A" portu saat yönünde
"B" portu saat yönü tersi
 Direction of shaft rotation standart when facing
 shaft end of motor, shaft rotation
 Clockwise when port "A" is pressurized
 Counter-clockwise when port "B" is pressurized

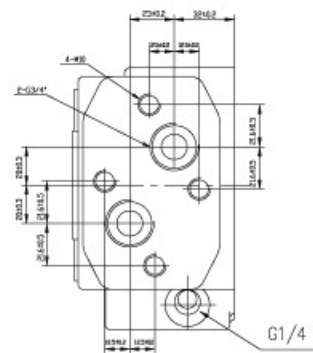
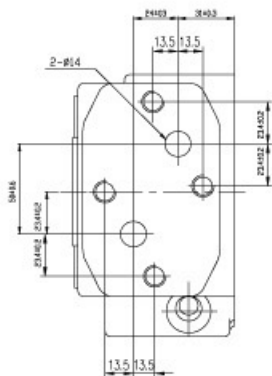
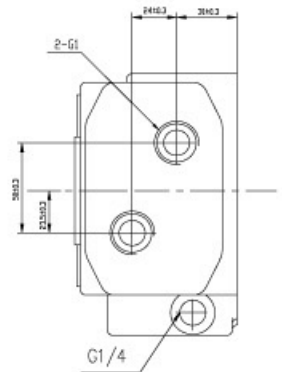
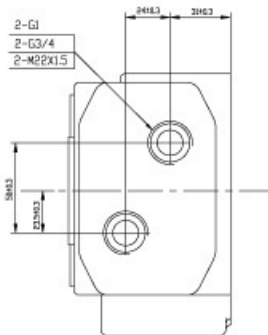
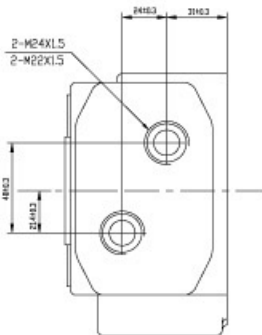
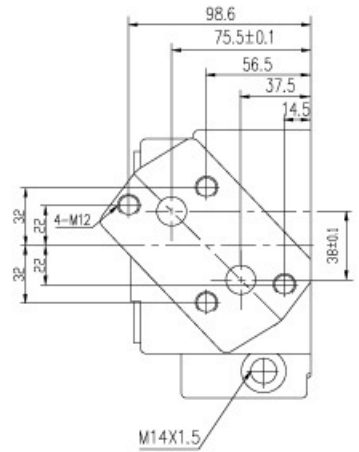
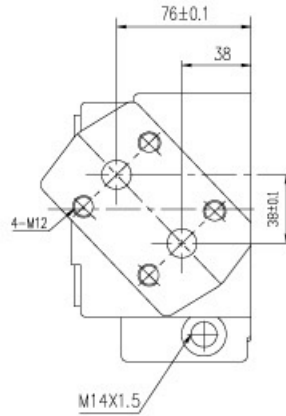
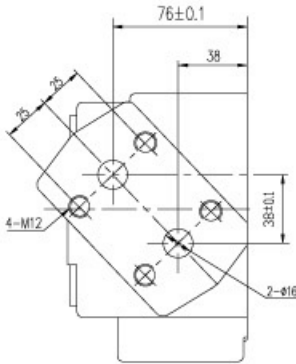
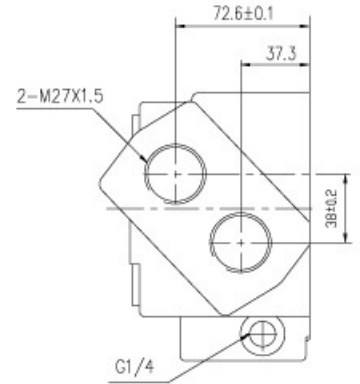
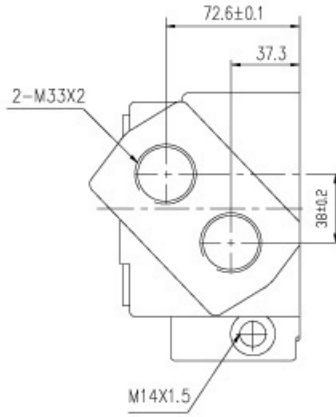
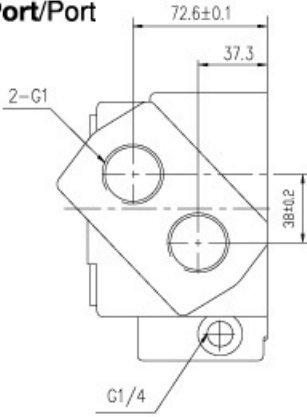
Düşük Hızlı Yüksek Torklu Hidrolik Motorlar, W61 Serisi
Low Speed High Torque Hydraulic Motor, W61 Series

Şaft / Shaft



Düşük Hızlı Yüksek Torklu Hidrolik Motorlar, W61 Serisi
Low Speed High Torque Hydraulic Motor, W61 Series

Port/Port



Düşük Hızlı Yüksek Torklu Hidrolik Motorlar, W61 Serisi

Low Speed High Torque Hydraulic Motor, W61 Series

Opsiyonel Ölçüler Kod Numaraları / Code Numbers for Optional Dimensions

Feature			Displacement/No.							
Flange	Shaft	Oil Port	195	245	310	395	490	625	800	985
Square-flange Pilot Φ 127	Straight shaft: Φ 40 Flatkey:12X45	2- \dot{A} 14 4-M12	61 - 0091	-0092	-0093	-0094	-0095	-0096	-0097	-0098
Square-flange Pilot Φ 160	Involute Spline : 17m=2.5	2-G3/4 4-M12 Leakingport:G1/4	61 - 2401	-2402	-2403	-2404	-2405	-2406	-2407	-2408
Square-flange Pilot Φ 125	Straight shaft Φ 40 Flatkey:12X45	M24X1.5 Drain port M14X1.5	61 - 0051	-0052	-0053	-0054	-0055	-0056	-0057	-0058
Square-flange Pilot Φ 125	Straight shaft Φ 50 Flatkey:14X70	Oilport:2-G1 Leakingport G1/4	61 - 0071	-0072	-0073	-0074	-0075	-0076	-0077	-0078
Square-flange Pilot Φ 160	Rectangle spline 6-40x35x10	2-M33X2 Drain port M14X1.5	61 - 1061	-1062	-1063	-1064	-1065	-1066	-1067	-1068
Square-flange Pilot Φ 127	Involute Spline: 16 m=2	2-M33X2	61 - 2501	-2502	-2503	-2504	-2505	-2506	-2507	-2508
Square-flange Pilot Φ 127	Rectangle spline 6-40x35x10	2-M33X2 Drain port M14X1.5	61 - 1011	-1012	-1013	-1014	-1015	-1016	-1017	-1018
Square-flange Pilot Φ 160	Straight shaft Φ 50 Flatkey:14X70	2-M33X2 Drain port M14X1.5	61 - 0101	-0102	-0103	-0104	-0105	-0106	-0107	-0108
Square-flange Pilot Φ 160	Straight shaft Φ 40 Flatkey:12X70	2-M33X2 Drain port M14X1.5	61 - 0111	-0112	-0113	-0114	-0115	-0116	-0117	-0117

Düşük Hızlı Yüksek Torklu Hidrolik Motorlar, W61 Serisi

Low Speed High Torque Hydraulic Motor, W61 Series

Opsiyonel Ölçüler Kod Numaraları / Code Numbers for Optional Dimensions

Feature			Displacement/No.							
Flange	Shaft	Oil Port	195	245	310	390	490	625	800	985
Square-flange Pilot Φ 160	Involute Spline :17 m=2.5	2-G1/2 Drain port: G1/4	61 - 2101	-2102	-2103	-2104	-2105	-2106	-2107	-2108
Square-flange Pilot Φ 160	Straight shaft Φ 50 Flatkey:14X70	2-M22X1.5 Drain port: M14X1.5	61 - 0061	-0062	-0063	-0064	-0065	-0066	-0067	-0068
Square-flange Pilot Φ 160	Involute Spline :16 m=2.5	2-M22X1.5 Drain port: M14X1.5	61 - 2151	-2152	-2153	-2154	-2155	-2156	-2157	-2158
Square-flange Pilot Φ 125	Straight shaft: Φ 40 Flatkey:12X70	2-M24X1.5 Drain port: M14X1.5	61 - 0011	-0012	-0013	-0014	-0015	-0016	-0017	-0018
Square-flange Pilot Φ 125	Straight shaft : Φ 32 Flatkey:10X36	2-M24X1.5 Drain port: M14X1.5	61 - 0161	-0162	-0163	-0164	-0165	-0166	-0167	-0168
Square-flange Pilot Φ 127	Straight shaft : Φ 40 Flatkey:12X36	2-M33X2 Drain port: M14X1.5	61 - 0021	-0022	-0023	-0024	-0025	-0026	-0027	-0028
Square-flange Pilot Φ 160	Involute Spline :17 m=2.5	2-G1 Drain port: G1/4	61 - 2201	-2202	-2203	-2204	-2205	-2206	-2207	-2208
Square-flange Pilot Φ 125	Straight shaft : Φ 40 Flatkey:12X45	2-M22X1.5 Drain port: M14X1.5	61 - 0031	-0032	-0033	-0034	-0035	-0036	-0037	-0038
Square-flange Pilot Φ 160	Rectangle spline 6-40x35x10	2-G1 Drain port: G1/4	61 - 1041	-1042	-1043	-1044	-1045	-1046	-1047	-1048
Square-flange Pilot Φ 127	Rectangle spline 8-40x35x10	2-M33X2 Drain port: M14X1.5	61 - 1031	-1032	-1033	-1034	-1035	-1036	-1037	-1038
Square-flange Pilot Φ 127	Rectangle spline 8-42x36x7	2- ϕ 14 4-M12	61 - 1051	-1052	-1053	-1054	-1055	-1056	-1057	-1058
Square-flange Pilot Φ 125	Straight shaft : Φ 40 Flatkey:12X45	2-G3/4 4-M10, Drain port:G1/4	61 - 0041	-0042	-0043	-0044	-0045	-0046	-0047	-0048
Square-flange Pilot Φ 160	Involute Spline :17 m=2.5	2- M22X1.5 Drain port: G1/4	61 - 2301	-2302	-2303	-2304	-2305	-2306	-2307	-2308
Square-flange Pilot Φ 160	Rectangle spline 8-42x36x7	2- ϕ 14 4-M10	61 - 1071	-1072	-1073	-1074	-1075	-1076	-1077	-1078
Square-flange Pilot Φ 125	Straight shaft : Φ 40 Flatkey:12X63	2-M33X2 Drain port: M14X1.5	61 - 0151	-0152	-0153	-0154	-0155	-0156	-0157	-0158
Square-flange Pilot Φ 127	Rectangle spline 8-42x36x7	2-M33X2 Drain port: M14X1.5	61 - 1021	-1022	-1023	-1024	-1025	-1026	-1027	-1028