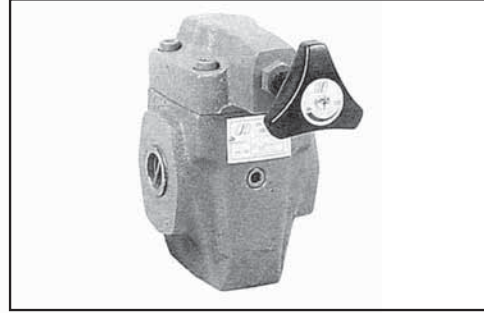
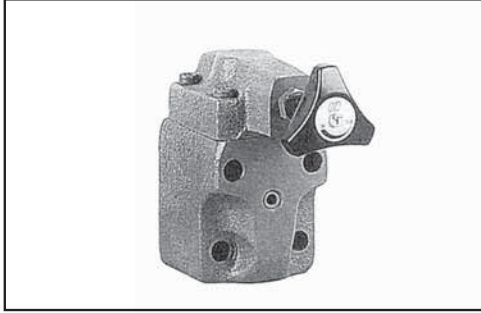


PILOT KUMANDALI EMNİYET VALFLERİ / PILOT OPERATED RELIEF VALVES BG - 03, 04, 06 & 10 BT - 04 & 06 BT - 06 & 10 (L TYPE)

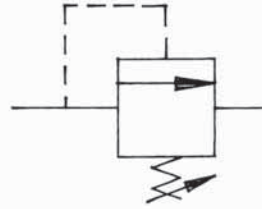


İŞLEVİ / FUNCTION

PILOT KONTROLLÜ EMNİYET VALFLERİ POMPAYI VE KONTROL VALFLERİNİ KORUR. BASINÇ ÇOK YÜKSEK OLDUĞU ZAMANLARDA HİDROLİK SİSTEM BASINCINI SABİT DEĞERDE KONTROL EDEBİLİR.

THE PILOT OPERATED RELIEF VALVES CAN PROTECT PUMPS AND CONTROL VALVES WHEN PRESSURE IS TOO HIGH AND CAN CONTROL HYDRAULIC SYSTEM PRESSURE AT CERTAIN RANGE.

SEMBOL / SYMBOL



DÜŞÜNCELER / REMARKS

* BASINÇ AYARLANIRKEN, KİLİT SOMUNU GEVŞETİLİR, ÜÇKÖŞE EL TOPUZU YAVAŞÇA SAAT YÖNÜNDE ÇEVİRİLİRSE BASINÇ ARTAR, SAAT YÖNÜNÜN TERSİNE ÇEVİRİLİRSE BASINÇ AZALIR. EL TOPUZUNUN BİR TUR DÖNÜŞÜ 50 BAR BASINÇ DEĞİŞİMİ MEYDANA GETİRİR. BASINÇ AYARLANDIKTAN SONRA KİLİT SOMUNUNU SIKMAYI UNUTMAYIN.

WHEN ADJUST PRESSURE, RELEASE THE LOCK NUT THEN SLOWLY TURN THE TRIANGLE HAND KNOB. USE CLOCKWISE TURN TO INCREASE THE PRESSURE AND USE COUNTER CLOCKWISE TURN TO DECREASE THE PRESSURE. THE PRESSURE CHANGE OF ONE CIRCLE TURN OF HAND KNOB, IS 50 BARS. AFTER PRESSURE ADJUSTMENT, PLEASE DONT FORGET TO CREW UP THE LOCK NUT AGAIN.

* DÖNÜŞ HATTI DİREKT OLARAK TANKA BAĞLANMALIDIR. BAŞKA VALFLERİN DÖNÜŞ HATTIYLA BİRLEŞTİRİLEMEZ.

THE PIPE OF RETURN OIL TO TANK, CANNOT CONNECT WITH PIPE OF OTHER VALVES' RETURN LINE, SHOULD RETURN TO OIL TANK DIRECTLY.

* KÜÇÜK AKIŞLAR İÇİN KULLANILDIĞINDA BASINÇ AYARI KARARSIZ OLABİLMEKTEDİR. BU YÜZDEN MODEL 03, 04 VE 06 SERİLERİNDE AKIŞ DURUMU 8L/DK, MODEL 10 SERİLERİNDE AKIŞ 15L/DK'NİN ÜZERİNDE OLMALIDIR.

WHEN USED IN SMALL FLOW, PRESSURE ADJUSTING MIGHT BE UNSTABLE. SO WHEN USE MODEL 03, 04 AND 06 SERIES, FLOW CONDITIONS SHOULD MORE THAN 8L/MIN (2.1 GPM) AND WHEN USE MODEL 10 SERIES, FYOW SHOULD ABOVE 15 L/MIN (4.0 GPM)

* DİŞLİ BAĞLANTI İÇİN İKİ BASINÇ HATTI GİRİŞİ VARDIR. BİRİ GİRİŞ DİĞERİ ÇIKIŞ HATTIDIR. BU BASINÇ PORTLARINDAN BİRİ KAPALI OLSA DA VALFLER ÇALIŞIR.

THERE ARE TWO PRESSURE PORTS FOR THREAD CONNECTIONS, WHICH CONNECTED INSIDE THE SYSTEM; ONE FOR INCOMING PORT AND OTHER ONE FOR OUTGOING PORT. THE VALVES CAN ALSO WORK UNDER THE CONDITIONS THAT ONE PRESSURE PORT IS OBSTRUCTED.

SIPARIŞ KODU / ORDERING CODE

BG -- 03 -- A -- 50

DİZAYN NUMARASI / DESIGN NUMBER

BASINÇ AYAR ARALIKLARI / ADJUSTING RANGE:

A: 7-70 KGF/CM² (100 -1000 PSI)

B: 35 -140 KGF/CM² (500 -2000 PSI)

C: 70 -250 KGF/CM² (100 -3600 PSI)

DELİK ÖLÇÜSÜ / PORT SIZE:

03:3/8" 04:1/2" 06:3/4" 10: 1-1/4"

MONTAJ / MOUNTING

G: FOR SUBPLATE MOUNTING

T: FOR THREAD CONNECTIONS

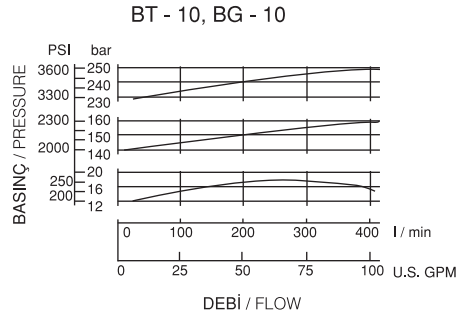
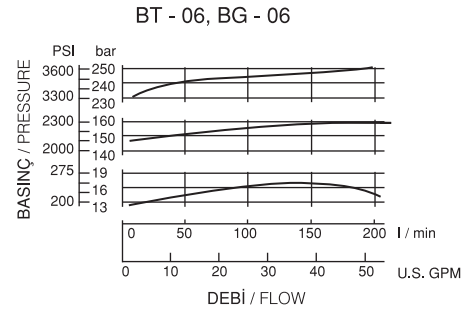
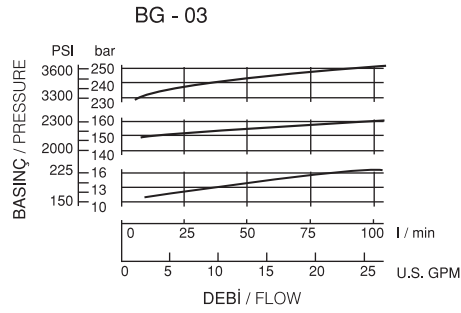
BG - 03, 04, 06 & 10 BT - 04 & 06 BT - 06 & 10 (L TİPİ / L TYPE)

TEKNİK BİLGİ / TECHNICAL DATA

MODEL NO	MAKSİMUM BASINÇ MAX. PRESSURE KGF/CM2	BASINÇ AYARLAMA ARALIĞI PRESSURE ADJ. RANGE KGF/CM2 (PSI)	MAX. DEBİ ORANI MAX. FLOW RATE LPM (GPM)	MONTAJ BAĞLANTI ÇİVATALARI METRİK (INCH) MOUNTING BOLTS METER (INCH)
BT - 04 SERİLERİ BT - 04 SERIES	210 (3000)	A: 7-70 (100 - 1000) B: 35 -140 (500 -2000) C: 70 -250 (1000 -3600)	60 (15.9)	
BG - 03 SERİLERİ BG - 03 SERIES	250 (3600)		100 (52.8)	M12X75L(1/2" -- 3") 2 PCS M12X95L(1/2" --3-3/4") 2PCS
BG - 04 SERİLERİ BG - 04 SERIES	210 (3000)		60 (15.9)	M12X65L(1/2"--2-1/4") 4 PCS
BG - 06 SERİLERİ BG - 06 SERIES	250 (3600)		200 (52.8)	M16X60L(5/8"--2-1/4") 2 PCS M16X80L(5/8"--3-1/4") 2 PCS
BG - 10 SERİLERİ BG - 10 SERIES	250 (3600)		400 (106)	M20X70L(3/4"--2-3/4") 2 PCS M20X90L(3/4"--3-1/2") 2 PCS
BT - 06 SERİLERİ BT - 06 SERIES	250 (3600)		200 (52.8)	
BT - 10 SERİLERİ BT - 10 SERIES	250 (3600)		400 (106)	

ÇALIŞMA EĞRİLERİ / PERFORMANCE CURVES

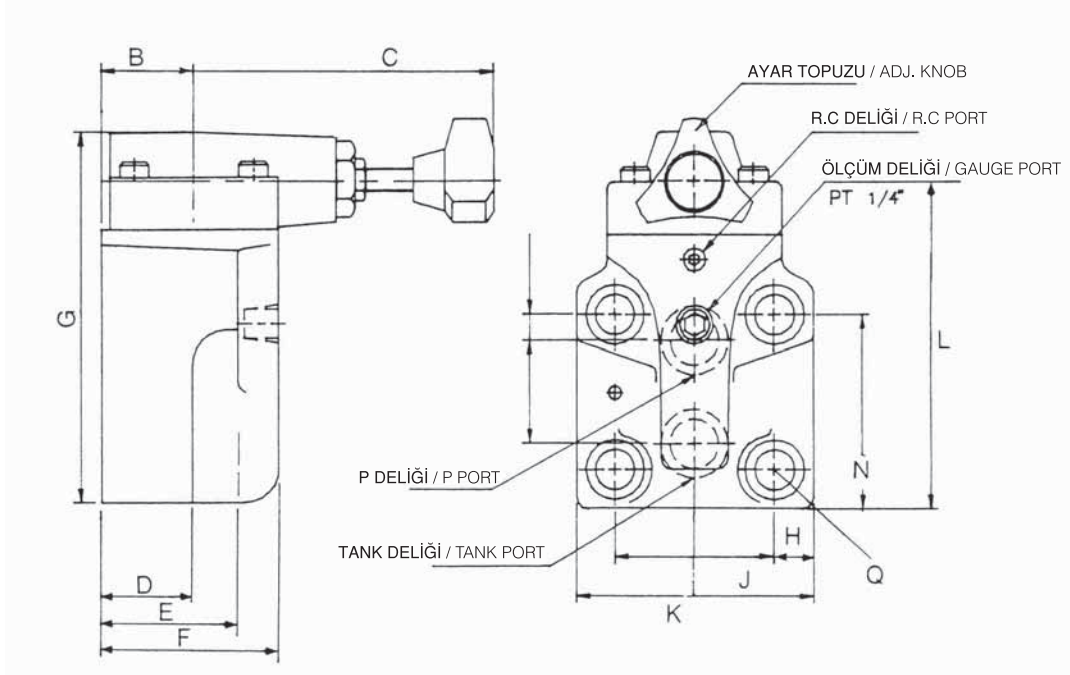
YAĞ ÇALIŞMA ÖLÇÜSÜ / MEASURED AT V= 35 CST AND T=50°C



BG - 03, 04, 06 & 10 SERİLERİ / SERIES

BG - 03, 04, 06 & 10

BİRİM / UNIT : MM (INCH)



MODEL	B	C	D	E	F	G	H	J	K	L	N	Q		AĞIRLIK WEIGHT
BG - 03	39.5 1.56	129 5.07	58.5 2.30	79 3.11	79 3.11	139 5.47	12.5 0.49	40 1.57	80 3.15	119 4.69	75.5 2.97	13 0.52	MM INCH	5.35 KGS
BG - 04	33 1.30	129 5.08	53 2.09	65 2.56	65 2.56	132 5.20	16 0.63	40 1.57	82 3.23	115 4.53	72.5 2.85	13 0.51	MM INCH	4 KGS
BG - 06	40 1.57	129 5.08	58.5 2.30	74 2.91	79 3.11	168 6.61	15 0.59	51 2.00	102 4.01	147 5.79	87 3.43	18 0.71	MM INCH	6.5 KGS
BG - 10	42.6 1.68	168 6.61	50 1.97	69 2.72	85.5 3.37	196 7.72	22 0.87	61.5 2.42	123 4.84	176 6.93	108 4.25	22 0.87	MM INCH	10.5 KGS