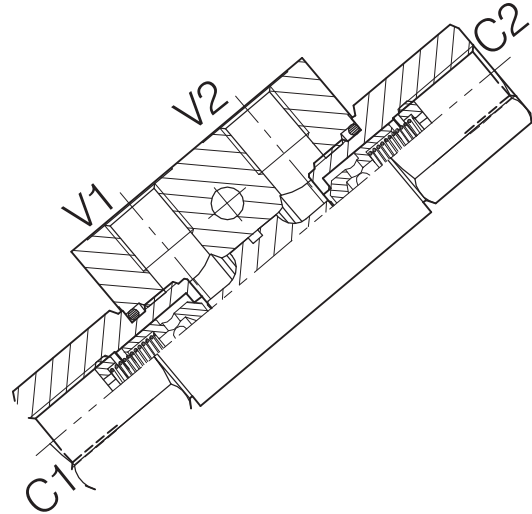
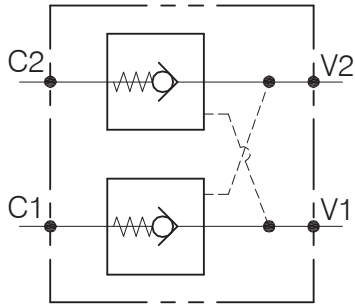


A-VNR-SO-DE-...-L-...

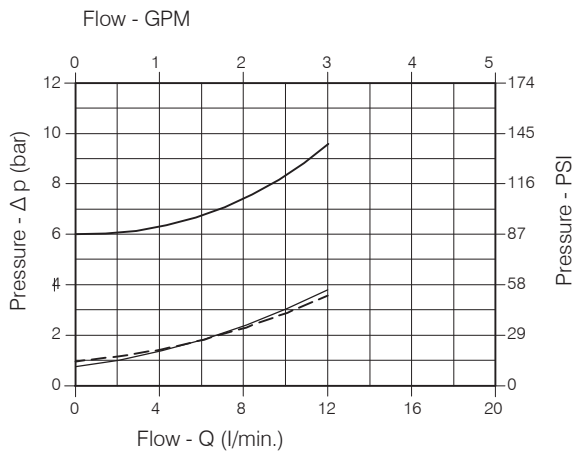
DOUBLE PILOT CHECK VALVE, POPPET TYPE



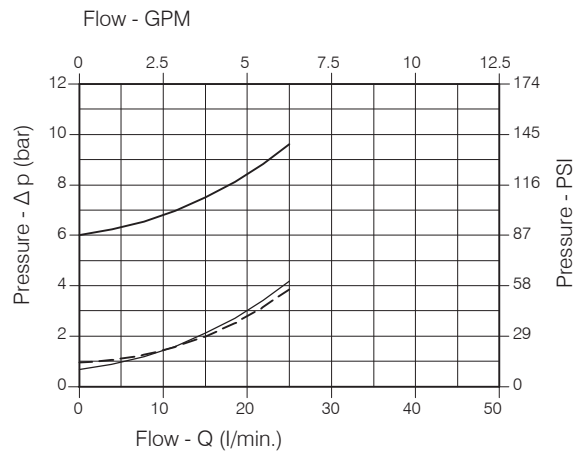
Performance

Min/Max rated size	Vedi pag. 14
Min/Max flow-rate	1/25 lt/dk
Max working pressure	350 bar - 5075 PSI
Pilot ratio	4 : 1
Room temperature	-30°C + 50°C
Oil temperature	-30°C + 80°C
Recommended filtration	30÷50 micron
Weight	0.645 Kg. 1/4" GAS
Weight	0.657 Kg. 3/8" GAS

Performance Details



A-VNR-SO-DE-14-L



A-VNR-SO-DE-38-L