

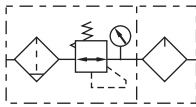
WINMAN A,B Serisi Şartlandırıcı Grupları / A,B Series Preparation Unit

AFC, BFC Serisi FR.L. Kombinasyonu / AFC, BFC Series FR.L. Combination


Özellikler / Specification

Model	AFC1500	AFC2000	BFC2000	BFC3000	BFC4000	
Fluid	Air					
Port size [Note1]	1/8"	1/4"	1/4"	3/8"	1/2"	
Filtering grade	40 µm or 5 µm					
Pressure range	Semi-auto and automatic drain:0.15~0.9MPa(20~130Psi) Manual drain:0.05~0.9MPa(7~130Psi)					
Max. Pressure	1.0MPa(145Psi)					
Proof pressure	1.5MPa(215Psi)					
Temperature range	-5~70°C(unfreeze)					
Capacity of drain bowl	15CC		60CC			
Capacity of oil bowl	25CC		90CC			
Recommended lubricant	ISO VG 32 or equivalent					
Weight	500g		700g			
Constitute	Filter-Regulator	AFR1500	AFR2000	BFR2000	BFR3000	BFR4000
	Lubricator	AL1500	AL2000	BL2000	BL3000	BL4000

[Note1] PT thread, G thread and NPT thread are available.

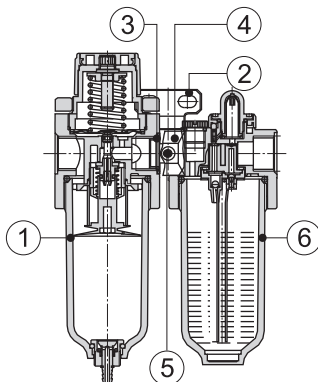
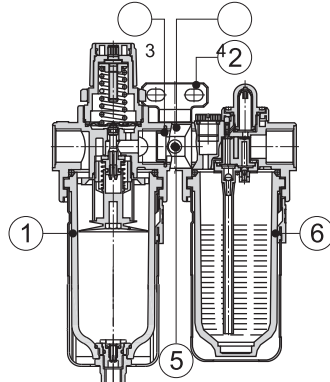
Sembol / Symbol

Üretim Özelliği / Production feature

1. The structure is delicate and compact, which is convenient for installation and application.
2. The pressed-in self-locking mechanism can prevent the abnormal movement of the set pressure caused by external interfere.
3. The pressure loss is low and the efficiency of water separating is high.
4. The quantity of oil dripping can be directly observed through transparent check dome.
5. In addition to standard type, lower pressure type is optional (The highest adjustable pressure is 0.4MPa).

Sipariş Kodu / Ordering Code
AFC 2000 M **1 W**

① ② ③ ④ ⑤ ⑥ ⑦ ⑧

① Model	② Port size	③ Drain type	④ Type code	⑤ Pressure gauge	⑥ Scale	⑦ Filtering grade	⑧ Thread type
AFC: A Series FR.L unit	1500: 1/8" 2000: 1/4"	Blank: Semi-auto drain M: Manual drain	Blank: Standard (0.9MPa)	Blank: Pressure gauge	1: MPa 2: psi	Blank: 40 µm W: 5 µm	Blank: PT (Scale: MPa or kgf/cm ² & psi)
BFC: B Series FR.L unit	2000: 1/4" 3000: 3/8" 4000: 1/2"	Blank: Semi-auto drain M: Manual drain A: Automatic drain	L: Lower pressure (0.4MPa)	N: No pressure gauge	3: bar 4: kgf/cm ² & psi		G: G(Scale:bar) T: NPT(Scale:psi)

İç Yapısı / Inner structure
AFC Series

BFC Series


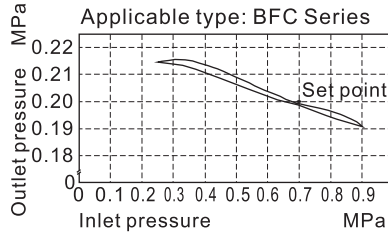
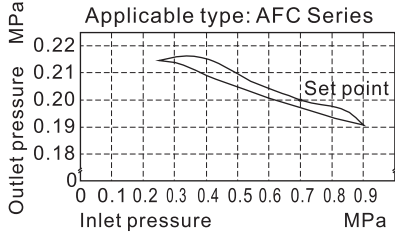
No.	Item
1	AFR, BFR Series filter & regulator
2	A, B Series bracket
3	A, B Series gasket
4	A, B Series fixed kit
5	Screw
6	AL, BL Series lubricator

WINMAN A,B Serisi Şartlandırıcı Grupları / A,B Series Preparation Unit

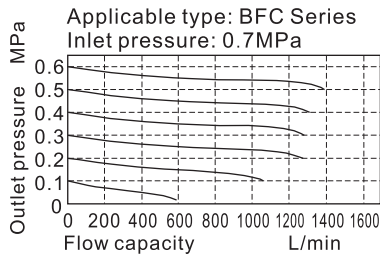
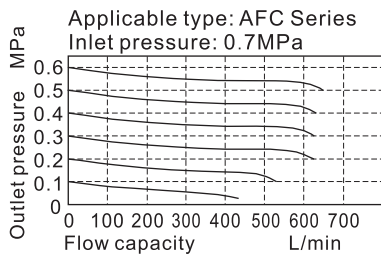
AFC, BFC Serisi FR.L. Kombinasyonu / AFC, BFC Series FR.L. Combination

Basınç ve özellik akışı / Pressure and feature flow

Pressure chart



Flow chart

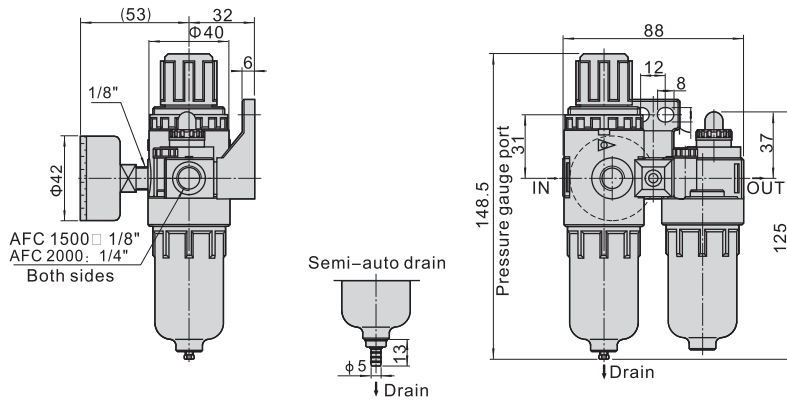


Tahliye modunun seçimi / Selection of drain mode

The drain modes of different series are different. Please refer to P211 for details.

Boyutlar / Dimensions

AFC Series



BFC Series

