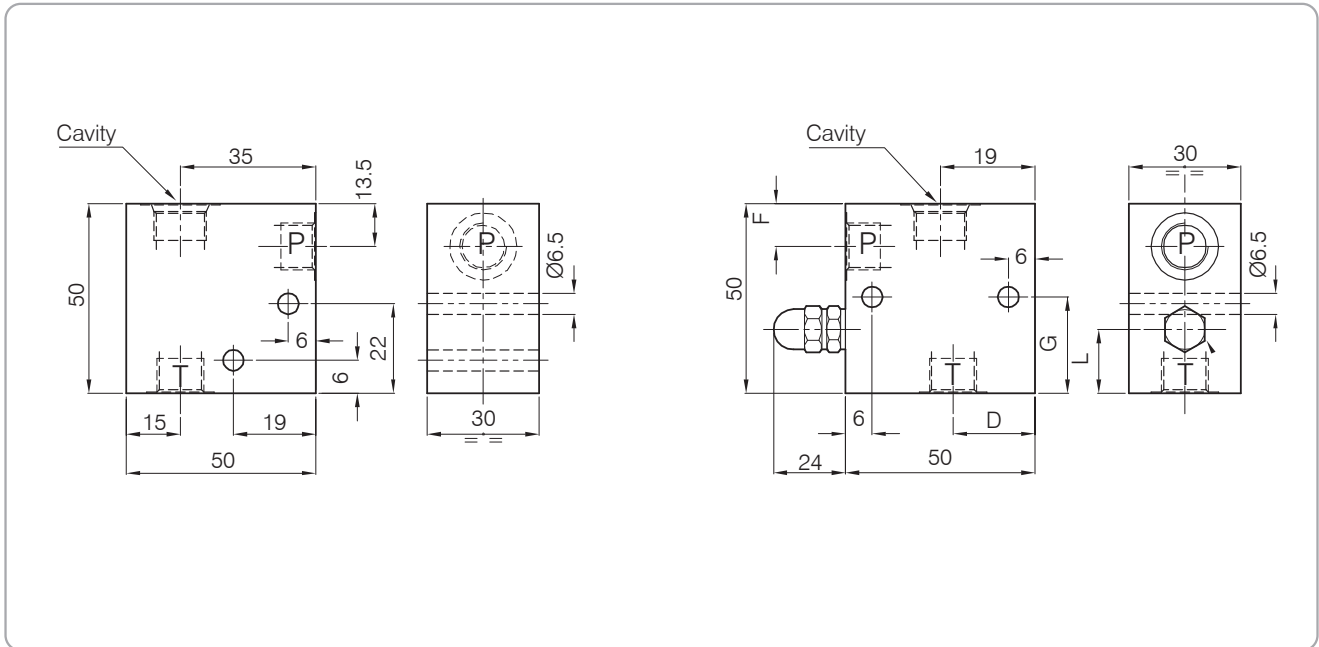


C-...GAS-020N-L-...

STANDARD ALUMINIUM MANIFOLDS



Dimensions

Body Number	Cavity	Port size T-P GAS (BSPP)	D	F	G	L	Cartridge See page	Coil See page
71	CE-011-N (Ø 12.7mm-3/4"16UNF)	1/4"	16	13.5	24	14	1/2/17/18/19/20	35 36 37
72	CE-011-N (Ø12.7mm-3/4"16UNF)	3/8"	14	12.5	23.5	23.5	1/2/3/4/5/6/17 18/19/20/21/22	
578	CE-101-L (Ø 15.87mm-3/4"16UNF)	1/4"	16	12.5	23.5	13.5	1/2/17/18/19/20	
94	CE-101-L (Ø15.87mm-3/4"16UNF)	3/8"	14	12.5	23.5	13.5	1/2/17/18/19/20 19/20/21/22	

Ordering Code

5 • 0 7 1 • E • 0 • 1

Body Number
71
72
578
94

Emergency screw
E Emergency screw