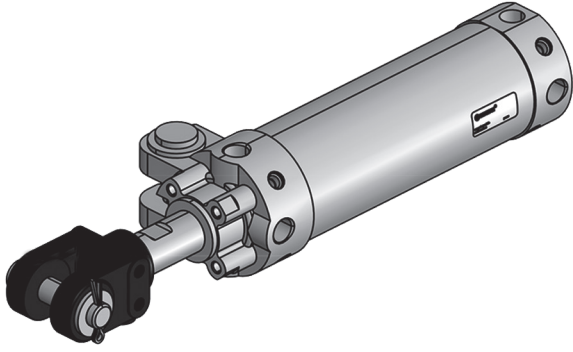


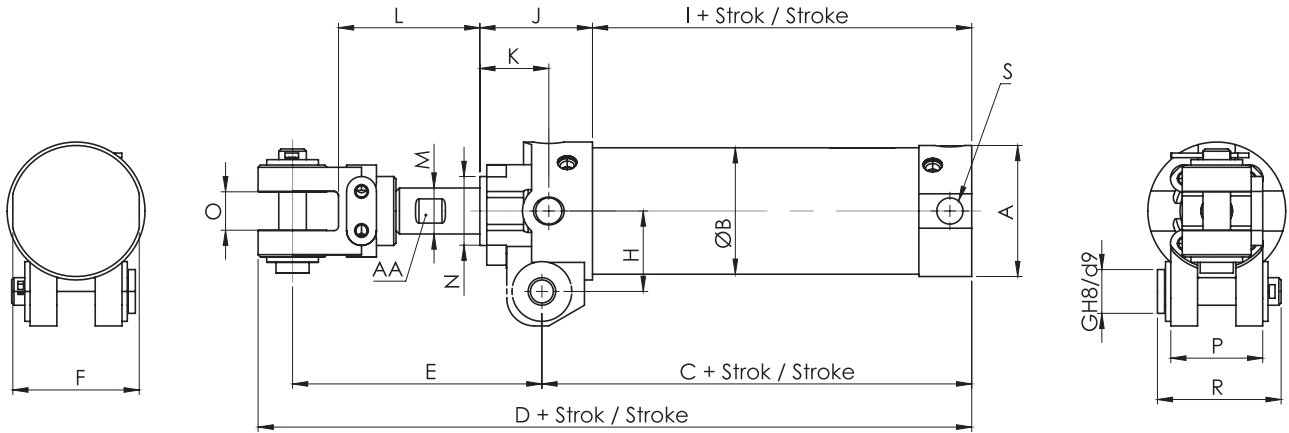
FGBH - Serisi Klomp Silindirler / FGBH - Series Clamp Cylinders



Özellikler / Specification

Piston Çapı / Bore Size	40	50	63	80
Çalışma Tipi / Acting Type	Çift Etkili / Double Acting			
Akışkan / Fluid	Hava (40µm filtrelenmiş) / Air (40µm filtered)			
Çalışma Basıncı / Op. Pressure	< 10 Bar			
Sıcaklık / Temperature	0 ~ +60 °C			
Manyetik / Magnetic	-			
Yastıklama Tipi / Cush. Type	Ayarlı Yastıklama / Adjustable Cushioned			
Hız / Speed Range	<500 mm/s			
Sensör / Sensör Switches	-			

Teknik Çizim / Technical Drawing



Ø mm	A Ø	B Ø	C	D	E	F	G	H	I	J	K	L	M Ø	N Ø	O 0 - +5	P	R	S	AA
40	52	45	94	206	97	42	12	35	72	49	30	50	20	30	16.5	40	46	G1/4	17
50	60	55	94	206	97	51.5	12	35	72	49	30	50	20	30	16.5	40	46	G1/4	17
63	74	72	94	206	97	68.5	12	35	72	49	30	50	20	30	16.5	40	46	G1/4	17
80	87	84	120	249	110	83.5	18	50	85	58.5	38.5	58.5	25	35	28.5	55	66	G3/8	22

Sipariş Kodu / Ordering Code

MODEL MODEL	ÇAP DIA	STROK STROKE
FGBH	040	0050
KLEMP Clamp	PİSTON ÇAPı (mm) Piston Dia	STROK (mm) Stroke

Clamp Cylinder

Characteristic

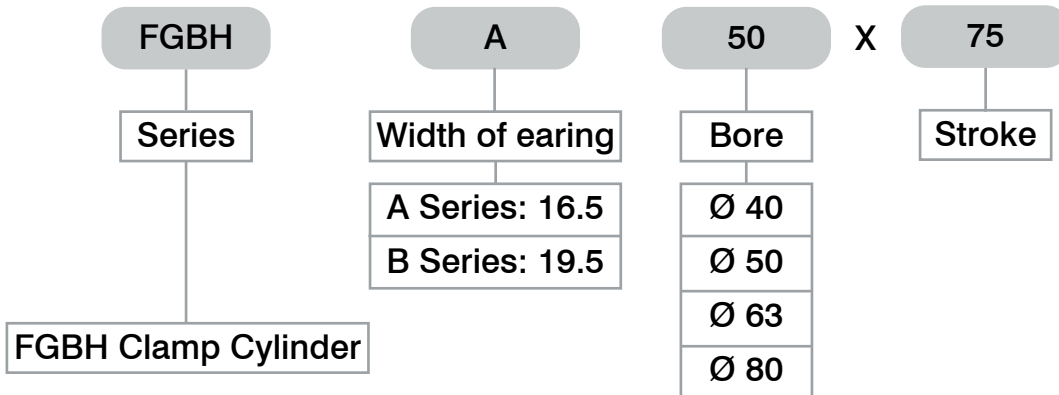


Front and rear caps are finished by aluminum alloy die-casting, processed with high precision. Three side are settled air port, easy for installation, the flow-limiting valve in front and back sides, movement speed is adjustable. Adjustable air cushion in the front and back sides, Interface of double-toggle is special designing for welder when weld the car body.

Specification

Type	40	50	63	80
Port size	1/4"			3/8"
Fluid	Air			
Operating pressure Range Mpa	0.05 ~ 1.5			
Operating speed mm/sec	50 ~ 500			
Ambient temperature °C	5 ~ 60			
Cushion	Attach Two Sides			
Oil	Luicbration Needless (Oil Spray Luicbration)			
Mounting	Two Ears			

How to order



Inner structure drawing

