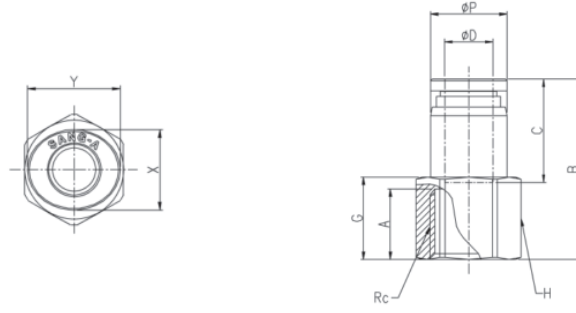


## SANG-A GPCF-G Serisi Dişi Rekor Bağlantı

Female Straight



### Boyutlar

MODEL [ØD-T] Tube: (Metric) - Thread: (G)

(mm)

MODEL	ØD	R	ØP	G	A	B	C	H	X	Y	Orifice (Ømm)	W.G(g)	Q'ty/ inbox
GPCF 04G01	4	G1/8	8.8	11	9	24.4	14.5	13	8.6	10.8	3.2	13.2	100
GPCF 04G02	4	G1/4	8.8	14	12	27.4	14.5	16	8.6	10.8	3.2	20.4	100
GPCF 04G03	4	G3/8	8.8	15	13	28.4	14.5	19	8.6	10.8	3.2	25.2	50
GPCF 06G01	6	G1/8	11	11	9	25.4	15.5	13	11	13	5	14.5	100
GPCF 06G02	6	G1/4	11	14	12	28.4	15.5	16	11	13	5	21.7	50
GPCF 06G03	6	G3/8	11	15	13	29.4	15.5	19	11	13	5	26.5	50
GPCF 08G01	8	G1/8	13	10	9	27.7	17.8	13	13	15	7	16.0	50
GPCF 08G02	8	G1/4	13	14	12	30.7	17.8	16	13	15	7	23.2	50
GPCF 08G03	8	G3/8	13	15	13	31.7	17.8	19	13	15	7	28.1	50
GPCF 08G04	8	G1/2	13	18	16	34.7	17.8	24	13	15	7	48.3	25
GPCF 10G01	10	G1/8	15.5	10	9	29.4	19.4	16	16	18.5	7	27.0	50
GPCF 10G02	10	G1/4	15.5	13	12	32.4	19.4	16	16	18.5	9	26.1	50
GPCF 10G03	10	G3/8	15.5	15	13	33.4	19.4	19	16	18.5	9	31.3	25
GPCF 10G04	10	G1/2	15.5	18	16	36.4	19.4	24	16	18.5	9	51.5	25
GPCF 12G02	12	G1/8	18.8	12	12	35.4	22.4	19	19.5	22.5	10	44.5	25
GPCF 12G03	12	G1/4	18.8	15	13	36.4	22.4	19	19.5	22.5	10	38.3	25
GPCF 12G04	12	G3/8	18.8	18	16	39.4	22.4	24	19.5	22.5	10	58.4	25