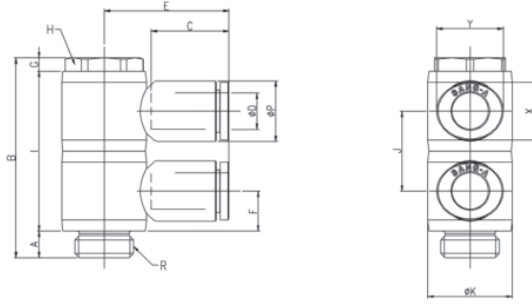


## SANG-A GPH(D2)-G İkili Kısa Dirsek Tip Dağıtıcı

Double Universal Elbow



### Boyutlar

MODEL [ØD-T] Tube: (Metric) - Thread: (G)

MODEL	ØD	R	ØP	A	B	C	E	F	G	H	I	ØJ	X	Y	Orifice (Ømm)	W.G(g)	Q'ty/ inbox
GPH 04G01(2)	4	G1/8	9	5	36.5	14.5	21.5	7.3	2.5	13	29	14	8.6	10.8	3.2	22.2	25
GPH 04G02(2)	4	G1/4	9	6	45	14.5	24	9	3	16	36	19	8.6	10.8	3.2	38.8	25
GPH 04G03(2)	4	G3/8	9	7	53	14.5	25.7	10.5	4	20	42	22.4	8.6	10.8	3.2	64.0	25
GPH 06G01(2)	6	G1/8	11.2	5	36.5	15.5	22.5	7.3	2.5	13	29	14	11	13	5	23.7	25
GPH 06G02(2)	6	G1/4	11.2	6	45	15.5	25	9	3	16	36	19	11	13	5	40.3	25
GPH 06G03(2)	6	G3/8	11.2	7	53	15.5	26.7	10.5	4	20	42	22.4	11	13	5	65.6	25
GPH 08G01(2)	8	G1/8	13.6	5	36.5	17.8	25.6	8	2.5	13	29	14	13	15	6	26.2	25
GPH 08G02(2)	8	G1/4	13.6	6	45	17.8	28.1	9	3	16	36	19	13	15	7	42.9	25
GPH 08G03(2)	8	G3/8	13.6	7	53	17.8	29.8	10.5	4	20	42	22.4	13	15	7	66.4	25
GPH 08G04(2)	8	G1/2	13.6	8.5	57.5	17.8	32.1	11	5	24	44	27	13	15	7	110.9	25
GPH 10G02(2)	10	G1/4	16.3	6	45	19.4	28.9	9.7	3	16	36	19	16	18.5	8	49.3	25
GPH 10G03(2)	10	G3/8	16.3	7	53	19.4	30.6	10.5	4	20	42	22.4	16	18.5	9	70.8	20
GPH 10G04(2)	10	G1/2	16.3	8.5	57.5	19.4	32.9	11	5	24	44	27	16	18.5	9	113.3	20
GPH 12G03(2)	12	G3/8	19.7	7	53	22.4	35.9	11.9	4	20	42	22.4	19.5	22.5	9.2	79.3	9
GPH 12G04(2)	12	G1/2	19.7	8.5	57.5	22.4	38.2	11.9	5	24	44	27	19.5	22.5	9.5	121.8	9