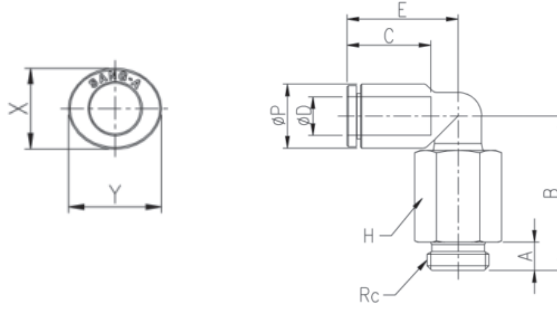


## SANG-A GPLL-G Serisi Uzun Döner Dirsek Bağlantılar

Extended Male Elbow



### Boyutlar

MODEL [ØD-T] Tube: (Metric) - Thread: (G)

MODEL	ØD	R	ØP	A	B	C	E	H	X	Y	Orifice (Ømm)	W.G(g)	Q'ty/ inbox
GPLL 04G01	4	G1/8	9	5	27.1	14.5	17.1	13	8.6	10.8	3.2	21.4	50
GPLL 04G02	4	G1/4	9	6	27.8	14.5	17.1	16	8.6	10.8	3.2	33.4	50
GPLL 04G03	4	G3/8	9	7	29.3	14.5	17.1	20	8.6	10.8	3.2	50.2	50
GPLL 06G01	6	G1/8	11.2	5	28.2	15.5	18	13	11	13	4	22.2	50
GPLL 06G02	6	G1/4	11.2	6	28.9	15.5	18	16	11	13	4	34.2	50
GPLL 06G03	6	G3/8	11.2	7	30.4	15.5	18	20	11	13	4	51.1	50
GPLL 06G04	6	G1/2	11.2	8.5	32.4	15.5	18	24	11	13	4	82.1	25
GPLL 08G01	8	G1/8	13.6	5	34.6	17.8	23.6	13	13	15	5.5	29.2	50
GPLL 08G02	8	G1/4	13.6	6	32.8	17.8	23.6	16	13	15	5.5	40.0	50
GPLL 08G03	8	G3/8	13.6	7	33.8	17.8	23.6	20	13	15	5.5	57.5	25
GPLL 08G04	8	G1/2	13.6	8.5	35.8	17.8	23.6	24	13	15	5.5	90.8	20
GPLL 10G01	10	G1/8	16.3	5	43.1	19.4	25	15	16	18.5	6	39.5	25
GPLL 10G02	10	G1/4	16.3	6	43.8	19.4	25	16	16	18.5	8	48.5	25
GPLL 10G03	10	G3/8	16.3	7	42.3	19.4	25	20	16	18.5	9	70.8	25
GPLL 10G04	10	G1/2	16.3	8.5	43.8	19.4	25	24	16	18.5	9	109.3	20
GPLL 12G01	12	G1/8	19.7	5	44.95	22.4	32.2	15	19.5	22.5	6	45.1	25
GPLL 12G02	12	G1/4	19.7	6	45.65	22.4	32.2	16	19.5	22.5	8	54.1	25
GPLL 12G03	12	G3/8	19.7	7	44.15	22.4	32.2	20	19.5	22.5	9.5	76.5	20
GPLL 12G04	12	G1/2	19.7	8.5	45.65	22.4	32.2	24	19.5	22.5	9.5	115.0	20
GPLL 14G03	14	G3/8	23.5	7	58.05	24.4	31.9	20	23	25	11.5	106.5	16
GPLL 14G04	14	G1/2	23.5	8.5	53.55	24.4	31.9	24	23	25	12	124.5	16
GPLL 16G04	16	G1/2	25.6	8.5	54.6	25	34	24	24	27	13	124.7	16