

Hand Valves

HVFF SERIES



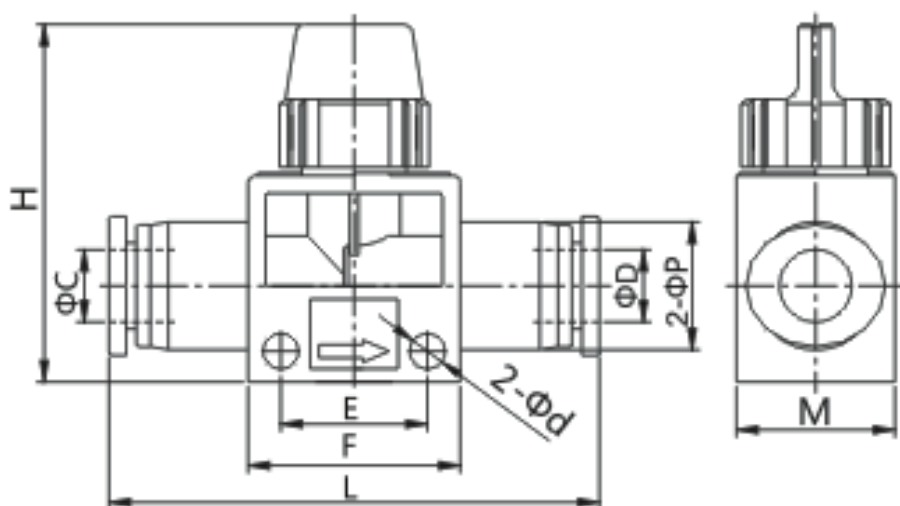
Product features

- The three-way valve, when the air is stopped, discharges residual pressure to the outlet, which assures safety in repairing or adjusting connected devices
- The two-way valve does not discharge residual pressure
- There are four types of hand valves for choosing

Speciality

Fluid	Air /no other gases or liquids)
Operating Pressure	0~1.0 MPa (150psi)
Negative Pressure	-100Kpa(-29.5 in Hg)
Operating Temperature	-60°C (32-140°F)
Applicable Tube	PU Polyurethane and Nylon

Dimension



MODEL	φC	φD	φp	φd	E	F	L	H	M
HVFF 06-06(B)	4	6	15	4.2	16.5	24	52	41	18
HVFF 08-06(B)	6	6	15	4.2	16.5	24	52	41	18
HVFF 08-08(B)	8	8	15	4.2	16.5	24	52	41	18
HVFF 10-08(B)	10	8	21.5	4.2	21.5	29	63	45	22
HVFF 10-10(B)	10	10	21.5	4.2	21.5	29	63	45	22
HVFF 12-10(B)	12	10	21.5	4.2	21.5	29	63	45	22
HVFF 12-12(B)	12	12	21.5	4.2	21.5	29	63	45	22