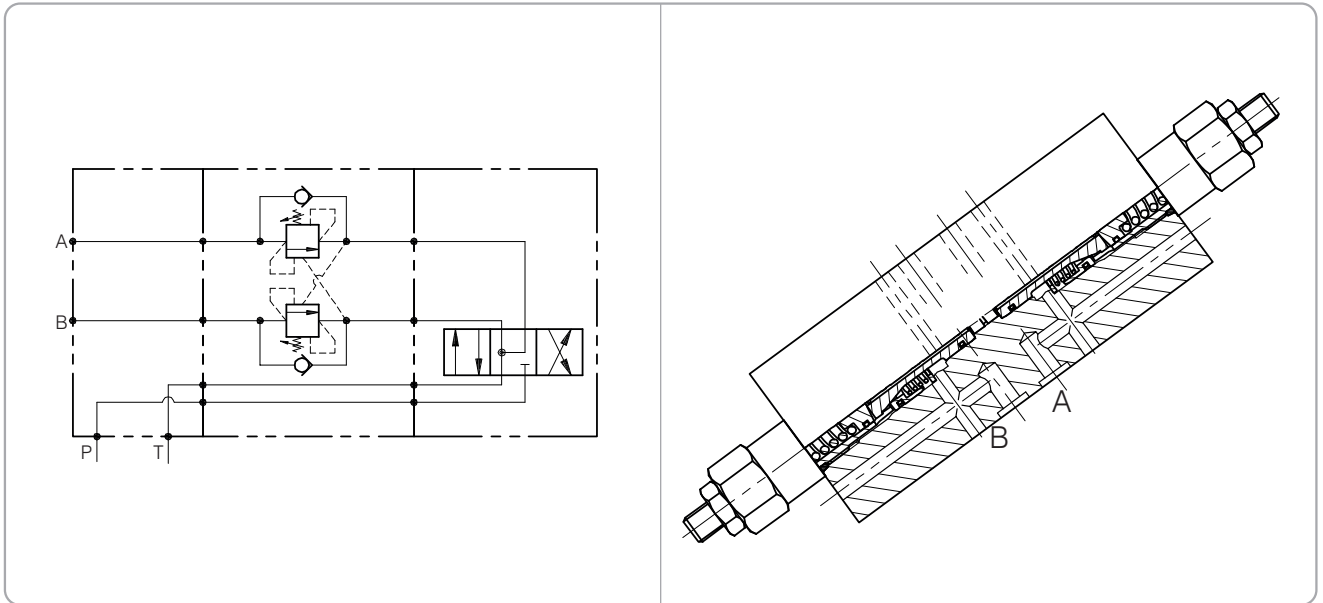


**OWC-DE-L6-...**

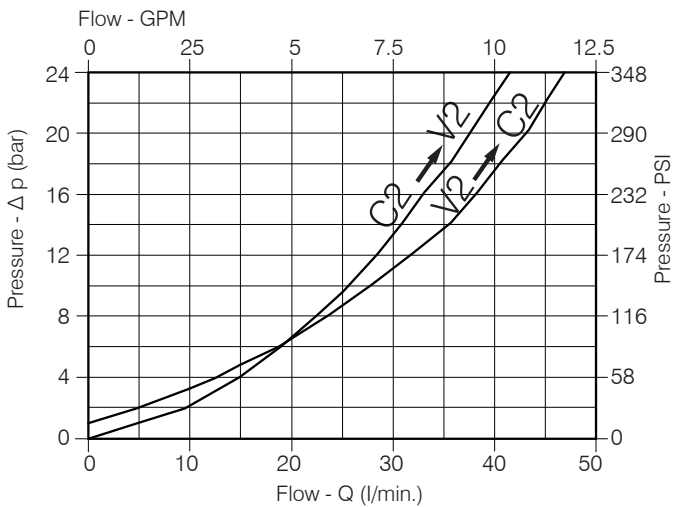
**SINGLE COUNTERBALANCE WITH SANDWICH INSTALLATION (CETOP)**



**Performance**

Rated size	DN 6
Min/Max flow-rate	1/50 l/min - 0.26/12.5 GPM
Max peak pressure	350 bar - 5075 PSI
Max setting pressure	350 bar - 5075 PSI
Standard pilot ratio	4.25 : 1
Room temperature	-30°C + 50°C
Oil temperature	-30°C + 80°C
Recommended filtration	30 micron
Weight	
Weight	

**Performance Details**



Oil viscosity 46cSt at 50°C

**NOTE:**

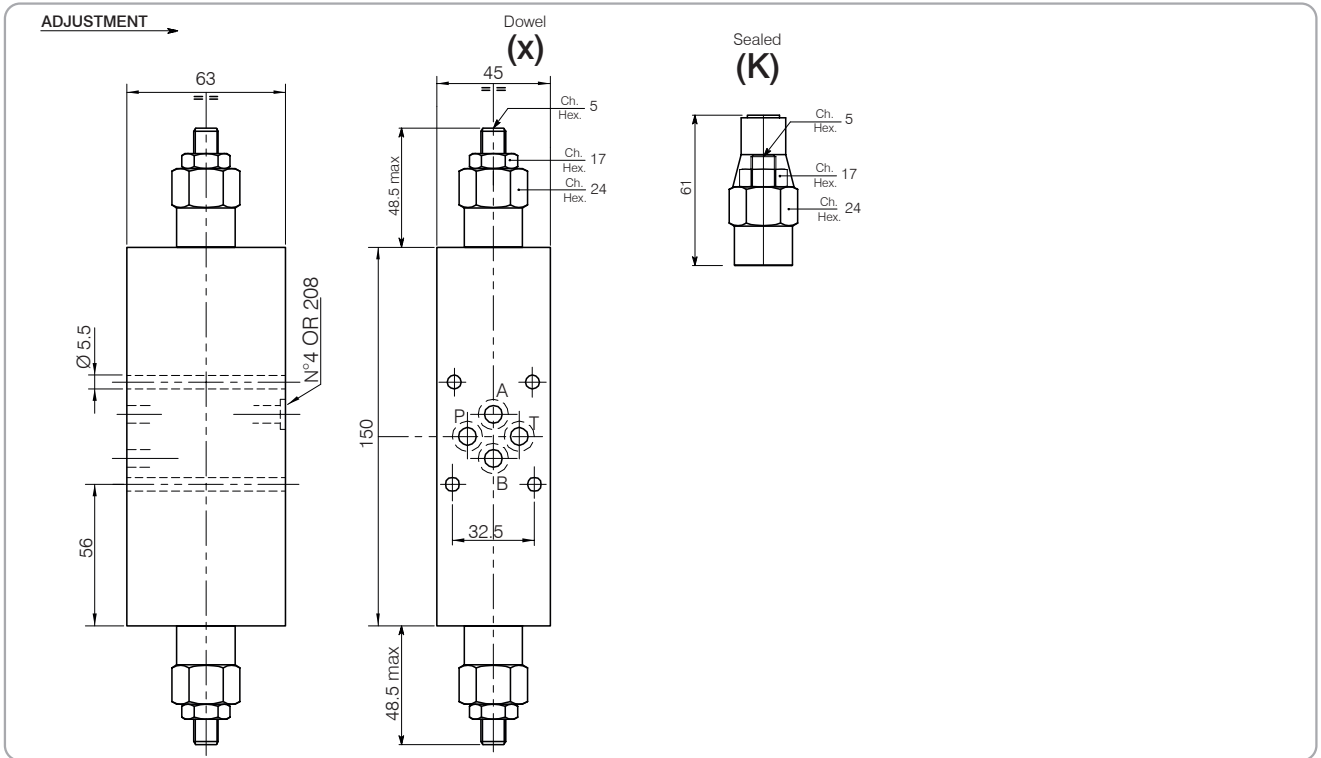
Valve should be set at 1.3 times load induced pressure.

**EXAMPLE:**

Max working pressure: 350 bar / 1.3 = 270 bar

**OWC-DE-L6-...**

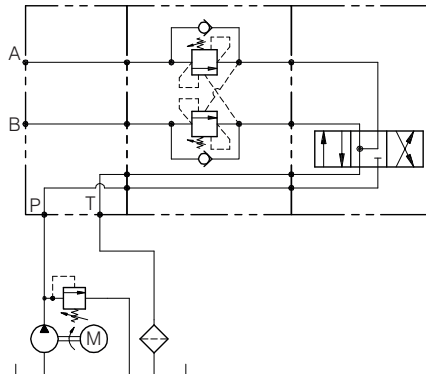
Hydraulic valves and integrated components



**Dimensions**

Setting Range	Flange Type	Max flow-rate
		l/min - GPM
226	CETOP 03	50-12.5

**TYPICAL CIRCUIT EXAMPLE**



**Ordering Code**

**N 0 1 . 2 2 6 . 0 . X 0 . A**

Setting Range	
226	
Setting range 60 ÷ 350 bar (yellow spring)	
Std. bar setting Q=5 l/1' (250) bar	Pressure rise - turn of screw (90)

**Body**  
Zinc plated Steel

**Adjustment**  
X = Dowel  
K = Sealed

**Pilot Ratios**  
0 = 4.25 : 1

226 Available aluminium body without "A"