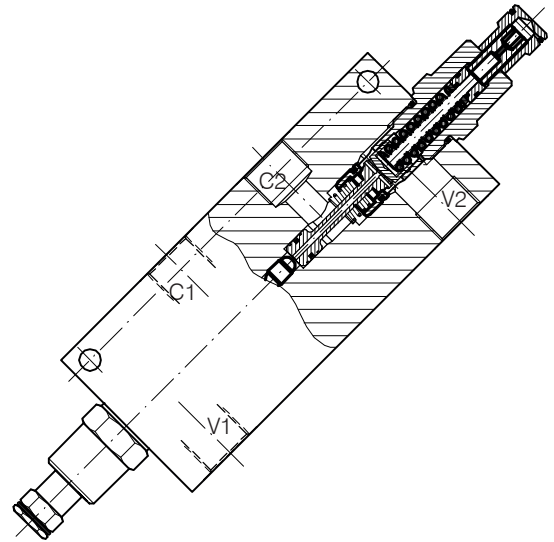
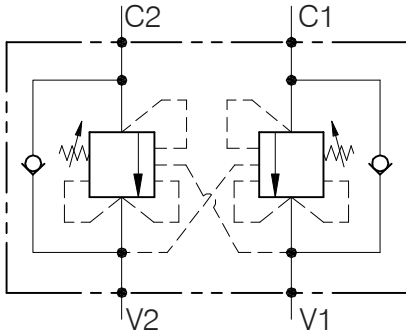


**OWC-DE-...-LU-CC-...**

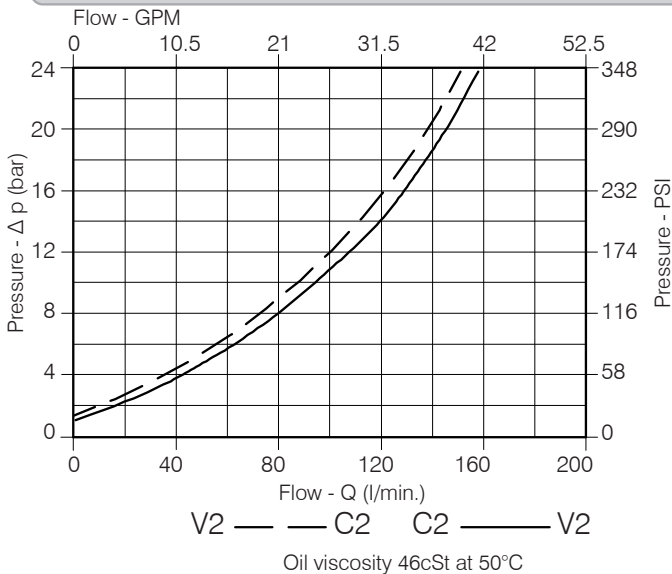
**DOUBLE COUNTERBALANCE VALVE FOR CLOSED CENTRE SPOOL WITH IN LINE BODY**



**Performance**

Rated size	DN 12/14
Min/Max flow-rate	1/160 l/min - 0.26/42.3 GPM
Max peak pressure	350 bar - 5075 PSI
Max setting pressure	350 bar - 5075 PSI
Standard pilot ratio	6.2 : 1
Room temperature	-30°C + 50°C
Oil temperature	-30°C + 80°C
Recommended filtration	30 micron
Weight	

**Performance Details**



**NOTE:**

Valve should be set at 1.3 times load induced pressure.

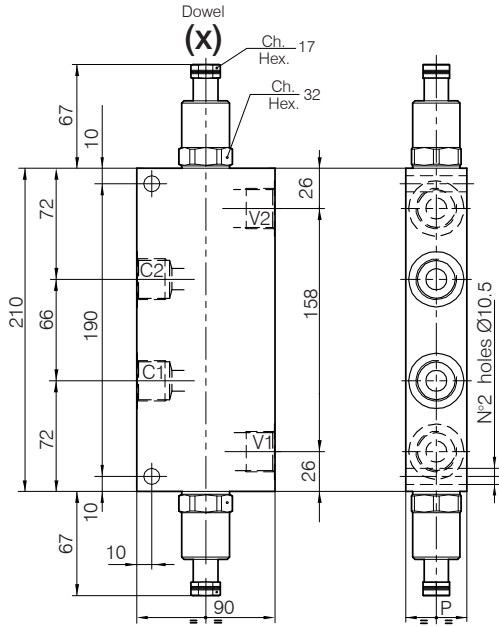
**EXAMPLE:**

Max working pressure: 350 bar / 1.3 = 270 bar

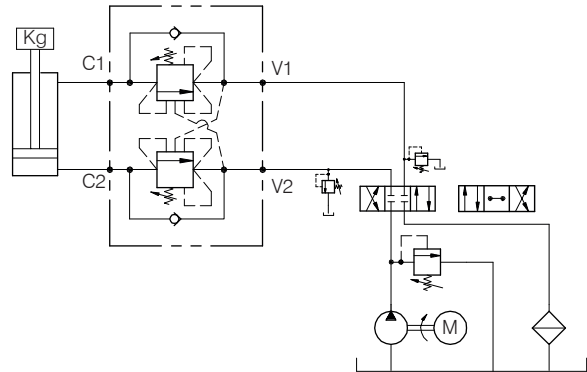
**OWC-DE-...-LU-CC-...**

**Hydraulic valves and integrated components**

ADJUSTMENT →



TYPICAL CIRCUIT EXAMPLE



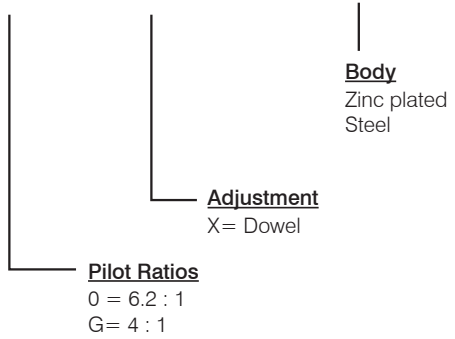
**Dimensions**

Setting Range	P	Port size		Rated size	Max flow-rate l/min - GPM
		V1-C1 GAS (BSPP)	V2-C2 GAS (BSPP)	DN	
463	40	3/4"		12	120-31
464	50	1"		14	180-47

**Ordering Code**

0 0 1 • 4 6 3 • 0 • X 0 • A

Setting Range	
463	
464	
Setting range 60 ÷ 350 bar (yellow spring)	
Std. bar setting Q=5 l/1') 250 bar	Pressure rise - turn of screw (140)



463 Available aluminium body without "A"