

Rigid coupling

Optional stainless steel HUB

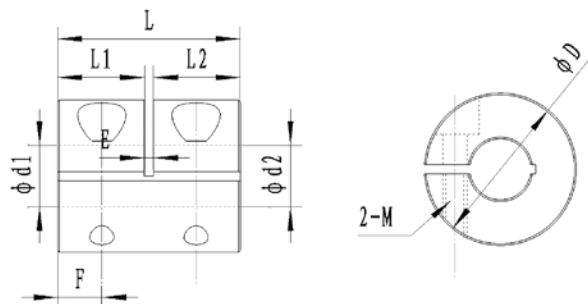


Features :

- ⊙ low inertia and excellent response
- ⊙ High torque rigid
- ⊙ Zero backlash
- ⊙ Wear resistance to oil and chemical
- ⊙ Maintenance free

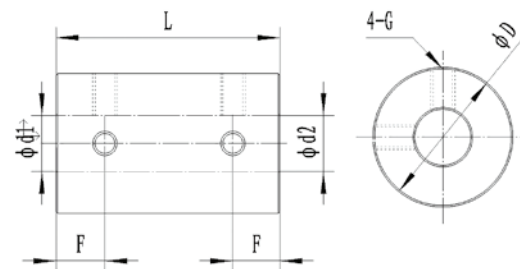
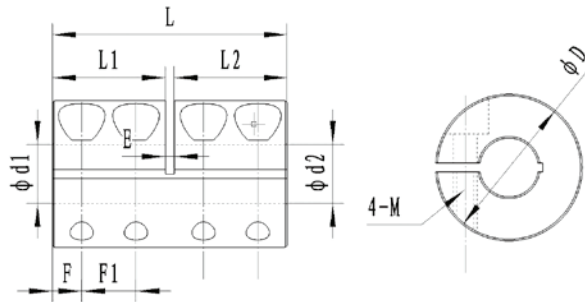
High precision rigid coupling is one-piece configuration. It apply to the two shafts joint, and it could produce its excellent function no matter under what circumstances of low speed , high speed and high torque, but it also has the disadvantage of which cannot deformation (non elastic)

Rigid couplings could not allowed parallel, angular shaft misalignment, you must arrange the two axis in a straight line in order to protect the coupling and peripheral equipment



Rigid coupling

Optional stainless steel HUB



Dimension : (mm)

Model	Aperture				D	L	L1 / L2	E	F	F1	G	M	DK	G	M	torque (N.M)
	d1		d2													
	Min	Max	Min	Max												
WJR16	4	6	4	6	16	24	-	-	6.0	-	M3	-	14	M3	-	0.7
WJR16C	5	6	5	6		16	7.5	1	3.8	-	-	M2.5	17.2	-	M2.5	1.0
WJR20	5	10	5	10	20	30	-	-	7.0	-	M3	-	16	M3	-	0.7
WJR20C	5	8	5	8		20	9.5	1	4.8	-	-	M2.5	19.2	-	M2.5	1.0
WJRL20C	5	8	5	8		24	11.5	1	-	-	-	M2.5	20	M4	-	1.0
WJR25	5	12	5	12	25	36	-	-	9.0	-	M4	-	24	-	M3	1.7
WJR25C	5	10	5	10		25	12.0	1	6.0	-	-	M3	25	M4	-	1.5
WJRL25C	5	10	5	10		36	17.5	1	4.0	10.0	-	M2.5	26.5	-	M3	1.0
WJR32	6	16	6	16	32	41	-	-	10.0	-	M4	-	30	M4	-	1.7
WJR32C	6	10	6	10		32	15.5	1	7.8	-	-	M4	31.4	-	M3	2.5
WJRL32C	6	10	6	10		41	20.0	1	4.5	10.0	-	M3	40	M5	-	1.5
WJR43	10	24	10	24	43	52	-	-	12.0	-	M6	-	47	-	M5	7.0
WJR43C	10	22	10	22		43	21.0	1	10.0	-	-	M5	55	M5	-	4.0
WJRL43C	10	22	10	22		52	25.5	1	7.0	11.5	-	M5	60	-	M6	4.0
WJR53	12	28	12	28	53	66	0	-	15.5	-	M8	-	65	M8	-	15.0
WJR53C	12	26	12	26		53	26.0	1	12.5	-	-	M6	72	-	M8	8.0
WJRL53C	12	26	12	26		66	32.5	1	9.0	14.5	-	M6	80	M8	-	8.0

WJRL	43	C	19	22
Model	Outside diameter	Fixed mode	Aperture	Aperture

Rigid coupling

Optional stainless steel HUB

model	Rated torque (N.m)	Max torque (N.m)	Allowable speed (min ⁻¹)	Moment of inertia (10 ⁻⁶ kgm ²)	net weight (g)
WJR16	0.3	0.6	20000	0.4	11
WJR16C	0.3	0.6	18000	0.3	9
WJR20	0.5	1.0	20000	1.3	20
WJR20C	0.5	1.0	16000	0.9	15
WJRL20C	0.5	1.0	14000	0.9	18
WJR25	1.0	2.0	20000	3.9	39
WJR25C	1.0	2.0	16000	2.7	29
WJRL25C	1.0	2.0	12000	3.4	38
WJR32	2.0	4.0	19000	12.0	71
WJR32C	2.0	4.0	14000	7.1	51
WJRL32C	2.0	4.0	10000	10.0	70
WJR43	4.5	9.0	12000	46.0	170
WJR43C	4.5	9.0	10000	34.0	130
WJRL43C	5.0	10.0	8000	42.0	160
WJR53	11.0	22.0	8000	130.0	360
WJR53C	11.0	22.0	6000	98.0	260
WJRL53C	12.0	24.0	5000	120.0	340