

# STU BSPP SERIES

## STU BSPP Series



Ball sealing only for STU180/140/380/120

### Ordering Code

01	Unidirectional flow control valves	STU
02	(Size)	BSPP 1/8
		BSPP 1/4
		BSPP 3/8
		BSPP 1/2
		BSPP 3/4
		BSPP 1
		BSPP 1-1/4
		BSPP 1-1/2

### How To Order

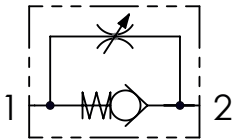
<b>1</b>	<b>2</b>	<b>3</b>
<b>STU</b>	<b>01 - 02</b>	

### Technical Data

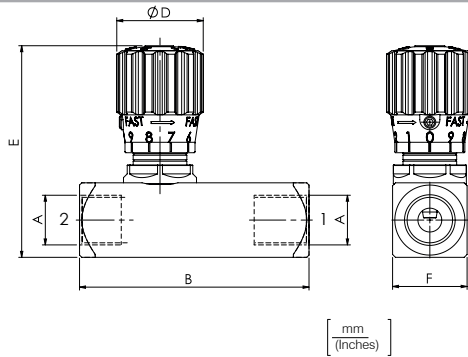
Mineral oil	ISO 6743/4
Oil viscosity	15-250 mm <sup>2</sup> /s
Max contamination index with filter	ISO 4406:1999 Classe 19/17/14
Oil temperature	-20°C +80°C
Ambient temperature	-20°C +50°C

It is necessary a filter use to protect the valve (advised filtration 15 μm)

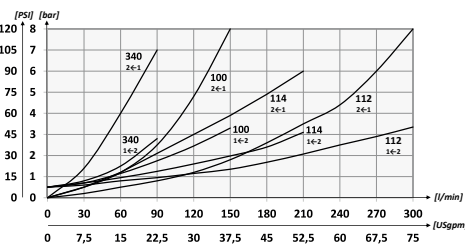
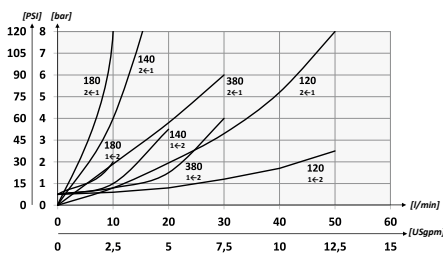
### Control Port (S)



### Dimensions



### Performance



### Technical Characteristics

Type	A	Max flow (USgpm)	Max pressure (PSI)	B	D	E	F	Approx weight (lb)
STUF180	BSPP 1/8	10(2.6)	400(5800)	58 (2.28)	20(0.79)	53 (2.09)	20(0.79)	0,19 (0.42)
STUF140	BSPP 1/4	15(4)		66 (2.60)	30(1.18)	71 (2.81)	25(0.98)	0,34 (0.75)
STUF380	BSPP 3/8	30(7.9)		77 (3.03)				0,36 (0.80)
STUF120	BSPP 1/2	50(13.2)		91 (3.58)	33(1.30)	72(2.83)	30(1.18)	0,60 (1.3)
STUF340	BSPP 3/4	80(21.1)		112,5(4.43)	42(1.65)	94(3.70)	40(1.57)	1,33 (3)
STUF100	BSPP 1	150(39.6)	350(5075)	141 (5.55)		99(3.90)	45(1.77)	1,83 (4.03)
STUF114	BSPP 1-1/4	200(52.8)		155 (6.10)	53(2.09)	121,5(4.78)	55(2.17)	3,1 (6.8)
STUF112	BSPP 1-1/2	300(79.2)		168 (6.61)		131,5(5.18)	65(2.56)	4,5 (10)