

STUF BSPP SERIES

STUF BSPP Series



Ball sealing only for STU180/140/380/120

Ordering Code

01	Unidirectional flow control valves	STUF	
02	(Size)	BSPP 1/8	180
		BSPP 1/4	140
		BSPP 3/8	380
		BSPP 1/2	120
		BSPP 3/4	340
		BSPP 1	100
		BSPP 1-1/4	114
	BSPP 1-1/2	112	

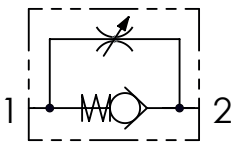
How To Order

1	2	3
STUF	01 - 02	

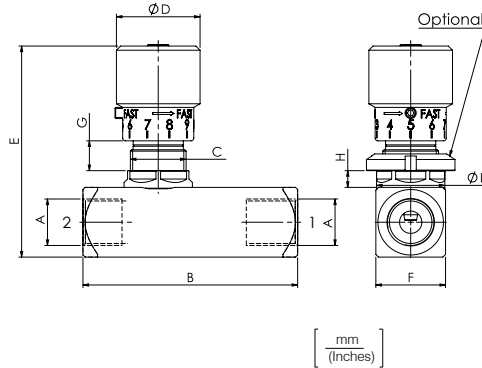
Technical Data

Mineral oil	ISO 6743/4
Oil viscosity	15-250 mm ² /s
Max contamination index with filter	ISO 4406:1999 Classe 19/17/14
Oil temperature	-20°C +80°C
Ambient temperature	-20°C +50°C
It is necessary a filter use to protect the valve (advised filtration 15 μm)	

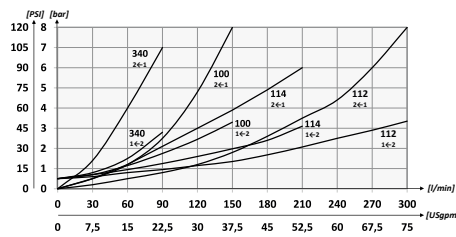
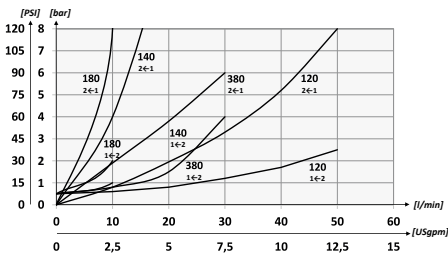
Control Port (S)



Dimensions



Performance



Technical Characteristics

Type	A	Max flow (USgpm)	Max pressure (PSI)	B	C	D	E	F	G	H	L	Type	Approx weight (lb)
STUF180	BSPP 1/8	10(2.6)	400(5800)	58 (2.28)	M15x1	20(0.79)	60.5 (2.38)	20(0.79)	8(0.31)	5,5(0.21)	19,5(0.76)	84100031	0,20(0.44)
STUF140	BSPP 1/4	15(4)		66 (2.60)	M20x1	30(1.18)	75(2.95)	25(0.98)	7,5(0.29)	6(0.23)	24,5(0.96)	84100022	0,38(0.84)
STUF380	BSPP 3/8	30(7.9)		77 (3.03)	M25x1,5	33(1.30)	81(3.19)	30(1.18)	9(0.35)	7(0.27)	29,5(1.16)	84100023	0,63(1.40)
STUF120	BSPP 1/2	50(13.2)		91 (3.58)		33(1.30)	81(3.19)	30(1.18)	9(0.35)	7(0.27)	29,5(1.16)	84100023	0,63(1.40)
STUF340	BSPP 3/4	80(21.1)	350(5075)	112,5 (4.43)	M35x1,5	42(1.65)	110(4.33)	40(1.57)	15,5	8(0.31)	39,5(1.55)	84100024	1,45(3.2)
STUF100	BSPP 1	150(39.6)		141 (5.55)		42(1.65)	115(4.53)	45(1.77)	15,5	8(0.31)	39,5(1.55)	84100024	2(4.4)
STUF114	BSPP 1-1/4	200(52.8)		155 (6.10)	M45x1,5	53(2.09)	137(5.39)	55(2.17)	13,5	10(0.39)	50(1.96)	84100030	3,3(7.25)
STUF112	BSPP 1-1/2	300(79.2)		168 (6.61)		53(2.09)	147(5.79)	65(2.56)	13,5	10(0.39)	50(1.96)	84100030	4,7(10.3)