

WINMAN V11 Serisi / V11 Series

Karakteristik Özellikler / Characteristic Features

- V11 motor is a small volume, spool valve type gerolor motor. Characteristic features:
- . Advanced design of spool and gerolor, which has Small size and compact structure.
 - . Credible design of shaft seal, which can bear high pressure and be used in parallel or in series.
 - . Direction of shaft rotation and speed can be controlled easily and smoothly.
 - . Best combination of efficiency and economy in medium duty applications.
 - . A variety of connection types of flange, output shaft and oil port.

Ana Özellikler / Main Specification

(ml/r) Displacement		50	63	80	100	125	160	200	250	315	400
(LPM) Flow	Cont.	38	45	58	58	58	58	58	58	58	58
	Int..	45	53	69	69	69	69	69	69	69	69
(RPM) Flow	Cont.	698	663	585	560	456	358	285	236	179	145
	Int..	858	775	720	671	548	426	341	282	210	173
(MPa) Pressure	Cont.	12.5	12.5	12.5	12.5	12.5	12.5	11	10	9	9
	Int..	14	14	14	14	14	12.5	12.5	12.5	12.5	11
(N*m) Torque	Cont.	74	87	124	155	194	227	282	302	365	456
	Int..	86	98	141	176	221	260	318	383	406	521

Note: 1. Intermittent means the entrance of the maximum pressure; continuous working pressure means the differential pressure.

2. Motor should not work under the highest pressure and the maximum speed.

3. The running time should not exceed 10% under intermittent working conditions

4. The Maximum working temperature is 80°.

5. The maximum allowable back pressure is 10MPa, but the recommended back pressure should not exceed 5M Pa. a leaking pipes is needed when exceeding.

6. one hour running time under 40% of maximum working pressure is recommended before full capacity working.

7. Recommending N68 anti-wear hydraulic oil, viscosity 37-73cSt, cleanliness ISO18/13.

WINMAN V11 Performans Verisi / V11 Performance Data
V11-50 50ml/r

	ΔP (MPa)								Max.cont		Max.int	
	3	6	7	8	10	11	13	16,5				
8	18 150	36 147	42 144	50 140	60 137	72 127	79 122	102 90				
15	19 290	37 285	43 283	48 276	61 275	73 265	83 256	105 230				
20	17 388	37 385	42 381	50 375	62 372	72 365	80 352	107 332				
30	15 584	36 578	42 570	50 566	63 560	70 555	81 546	108 516				
35	15 680	35 675	42 670	50 662	63 654	68 646	80 640	106 610				
45	15 680	34 868	40 863	48 856	62 849	70 840	80 830					
50	13 970	35 960	40 955	48 950	63 942							

V11-63 63ml/r

	ΔP (MPa)								Max.cont		Max.int	
	3	6	7	8	10	11	13	16,5				
8	22 125	46 124	54 123	62 121	76 118	91 116	98 113	126 72				
15	22 233	46 231	54 229	60 227	76 224	91 222	104 219	105 185				
20	20 310	46 309	54 307	63 305	78 301	90 298	100 294	134 263				
30	20 465	45 463	53 462	63 460	79 457	88 455	102 451	135 409				
35	19 543	44 540	53 539	63 537	79 533	84 531	100 528	133 484				
45	18 705	42 702	50 700	60 698	78 695	88 693	100 689					
50	16 781	44 778	50 776	60 774	79 770							

V11-80 80ml/r

	ΔP (MPa)								Max.cont		Max.int	
	3	6	7	8	10	11	13	16,5				
8	28 97	60 93	70 92	80 89	100 84	110 80	128 75	168 50				
15	28 184	61 181	70 178	80 174	100 169	114 166	128 160	170 140				
20	27 246	60 243	70 240	80 238	100 234	112 230	129 223	170 205				
30	26 370	60 366	69 363	79 360	100 354	110 350	128 345	170 323				
35	25 432	58 426	67 424	77 420	100 415	110 411	126 405	170 385				
45	23 554	53 550	65 546	77 541	95 536	108 530	124 524	168 503				
50	20 616	55 608	65 606	75 603	95 599	105 593	123 585	168 560				
60	19 741	53 732	62 727	75 722	95 717	108 712						
75	16 825	47 820	60 815	70 810	90 808							

V11-100 100ml/r

	ΔP (MPa)								Max.cont		Max.int	
	3	6	7	8	10	11	13	16,5				
8	35 78	74 75	88 73	100 70	100 84	140 68	160 56	210 35				
15	35 150	74 145	85 144	100 141	100 169	140 133	160 129	212 110				
20	34 197	74 195	88 193	100 190	100 234	145 183	161 178	212 160				
30	33 295	71 294	85 293	95 290	100 354	138 283	158 279	212 259				
35	29 347	70 345	81 344	95 342	100 415	135 335	155 330	212 310				
45	30 445	66 443	80 442	93 439	95 536	133 432	155 426	208 405				
50	25 498	66 495	79 493	93 491	118 485	134 480	152 476					
60	22 599	65 594	75 589	93 587	116 584	132 577						
75	20 674	58 666	75 663	88 660	113 655							

WINMAN V11 Performans Verisi / V11 Performance Data
V11-125 125ml/r

		ΔP (MPa)							
		3	6	7	8	10	11	13	16,5
Flow (L/min)	8	44 60	94 59	112 58	128 56	158 53	180 50	200 45	263 25
	15	44 118	85 116	111 115	127 114	160 110	178 108	205 105	265 85
	20	42 159	95 157	108 156	128 153	158 150	175 145	202 142	268 129
	30	40 236	92 235	108 233	125 230	156 225	178 220	198 218	265 206
	35	38 226	87 273	107 273	122 272	154 268	174 265	195 262	268 247
	45	37 355	85 352	102 351	120 349	152 345	173 341	194 339	265 322
	50	33 395	85 392	98 390	120 388	149 385	170 384	192 380	
	60	32 476	83 470	98 468	117 465	148 461	165 459		
75	25 594	75 588	95 585	110 582	142 577				

V11-160 160ml/r

		ΔP (MPa)							
		3	6	7	8	10	11	13	16,5
Flow (L/min)	8	56 47	120 46	143 45	160 44	200 42	226 40	245 38	334 24
	15	56 93	120 93	135 92	160 90	202 88	226 86	245 83	341 75
	20	55 120	120 118	143 117	160 116	203 115	226 114	245 114	343 104
	30	54 185	118 184	140 183	160 181	200 178	225 176	242 175	340 163
	35	53 214	115 213	138 212	157 211	199 208	220 207	242 205	337 196
	45	52 277	112 275	135 274	156 273	198 270	220 268	238 265	335 256
	50	45 308	110 307	132 305	153 303	195 300	215 298	233 296	
	60	44 368	106 366	130 365	150 364	192 362	214 360		
75	32 462	95 458	120 457	142 456	183 453				

V11-200 200ml/r

		ΔP (MPa)						
		3	6	7	8	10	11	15
Flow (L/min)	8	75 38	155 37	178 36	204 35	255 33	283 29	385 12
	15	72 74	152 72	180 71	206 70	259 68	265 66	390 57
	20	71 99	151 98	178 97	205 95	255 94	285 91	390 81
	30	70 148	149 147	175 146	200 145	254 142	285 138	388 126
	35	68 173	146 172	172 171	200 168	250 165	280 163	383 154
	45	63 220	142 219	170 218	195 216	248 213	279 211	382 200
	50	58 245	138 243	166 242	195 241	242 238	273 236	
	60	56 295	135 294	165 293	190 292	240 289		
75	42 370	122 365	150 364	178 362				

V11-250 250ml/r

		ΔP (MPa)						
		3	6	7	8	10	11	14
Flow (L/min)	8	94 30	195 29	255 28	259 27	326 25	357 24	
	15	90 60	193 59	225 58	260 57	326 55	360 53	455 48
	20	89 78	191 78	225 77	258 76	320 74	355 73	455 65
	30	84 118	188 117	220 117	250 116	320 114	354 122	452 103
	35	82 135	184 134	218 132	252 131	316 127	350 125	448 120
	45	79 179	179 178	215 177	246 176	310 174	345 172	442 163
	50	74 199	174 196	210 195	243 194	306 192	338 191	
	60	70 236	171 235	206 235	239 234	300 230		
75	42 370	122 365	150 364	178 362				

WINMAN V11 Performans Verisi / V11 Performance Data

V11-315 315ml/r

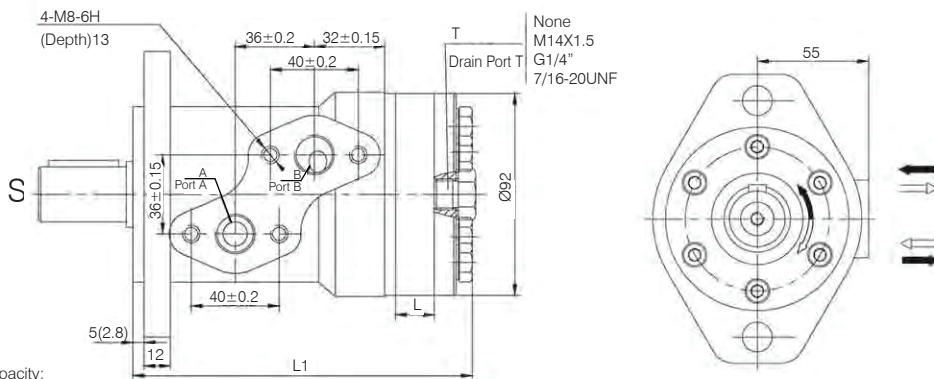
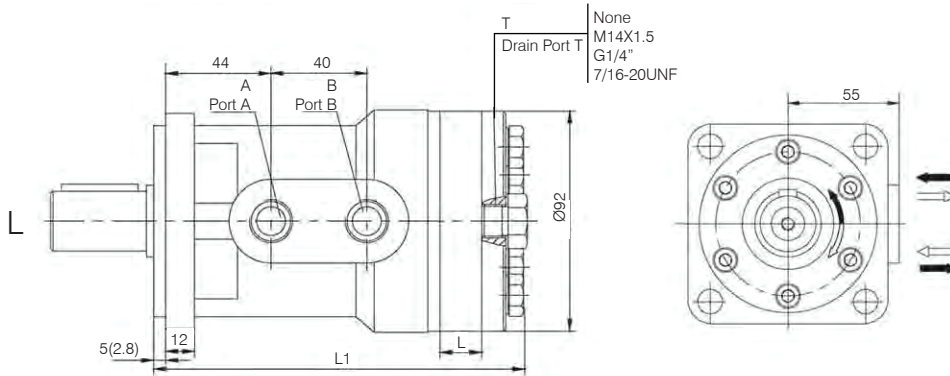
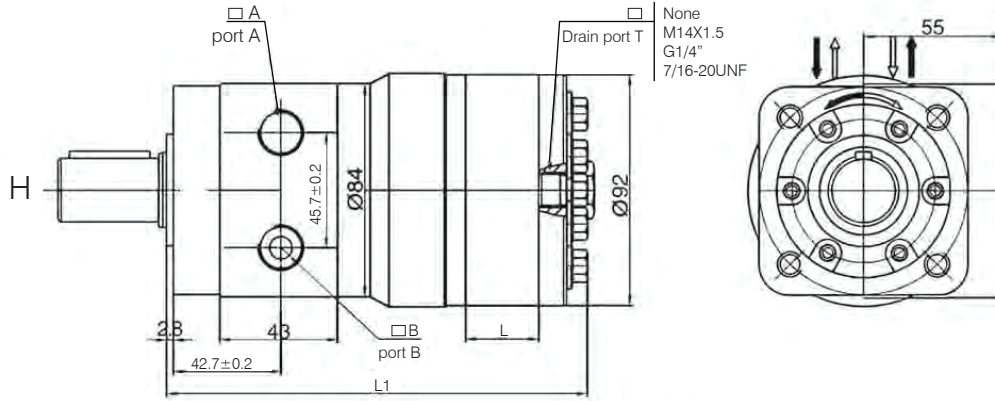
		ΔP (MPa)					
		3	6	7	8	10	12.5
Flow (L/min)	8	115 25	244 24	282 22	312 17	388 13	
	15	116 46	243 46	284 45	324 43	406 40	503 20
	20	114 62	242 62	282 61	325 57	405 56	505 44
	30	109 93	238 93	276 92	320 90	400 88	500 76
	35	105 109	232 108	273 107	314 205	398 103	498 93
	45	100 140	225 140	268 138	310 136	390 135	490 125
	50	92 156	218 155	262 154	306 153	384 150	486 140
	60	89 188	215 187	258 186	300 184	378 180	
	75	69 236	195 235	236 233	278 232		

V11-400 400ml/r

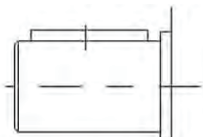
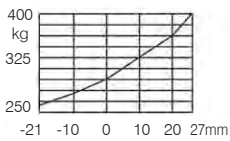
		ΔP (MPa)					
		3	6	7	8	8.5	12.5
Flow (L/min)	8	147 19	305 18	355 17			
	15	147 38	308 37	359 35	406 33	435 32	531 26
	20	144 49	305 49	358 47	408 45	435 43	510 37
	30	137 73	300 73	352 72	400 70	433 68	528 63
	35	135 85	294 85	345 84	395 82	425 81	525 73
	45	130 110	286 110	339 108	390 106	420 105	515 100
	50	117 124	278 124	330 122	382 120	410 119	
	60	112 148	274 148	326 147	378 146	402 145	
	75	88 185	246 185	298 184	350 182		

All the data was tested at 50° C with N68 anti-wear hydraulic oil. Actual data may vary slightly from unit in production.

WINMAN V11 Performans Verisi / V11 Performance Data



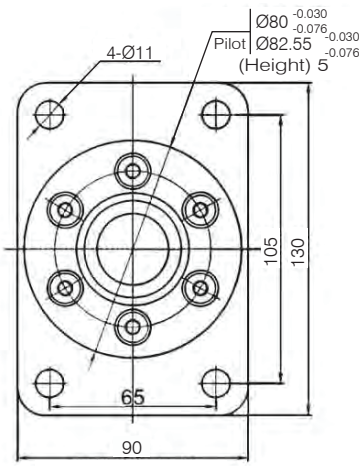
Shaft Load Capacity:
 Radial Load : 400Kg Max.
 Axis Load : 200Kg Max.



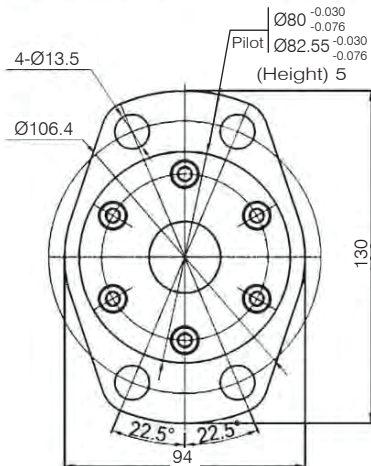
Displacement	50	63	80	100	125	160	200	250	315	400
L	9	11.5	14.5	17.8	23	29	37	46	57	72
L1	143	146	147.5	151	156	162	170	179.5	190.5	205
L2	148	151	152.5	156	161	167	175	184.5	184.5	210

Standard Direction of The Motor Rotation:
 CW----When A Port pressurized, Viewed the Shaft End.

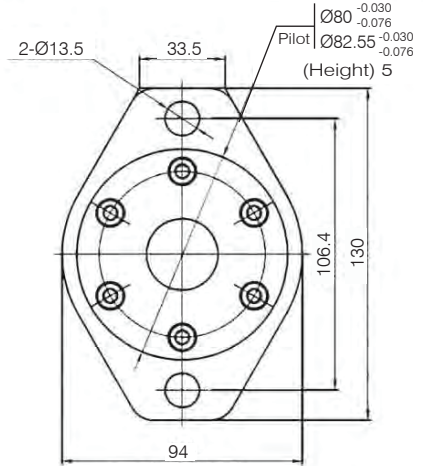
WINMAN V11 Performans Verisi / V11 Performance Data



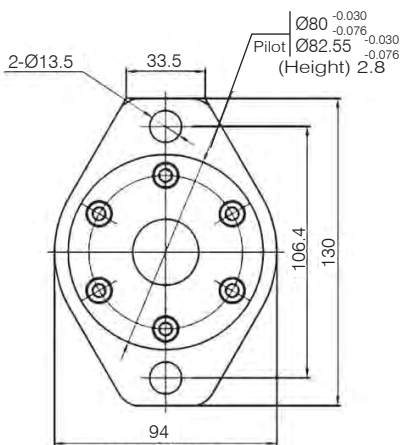
4 Bolt Flange



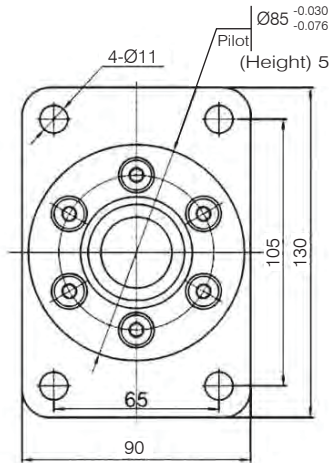
4 Bolt Flange



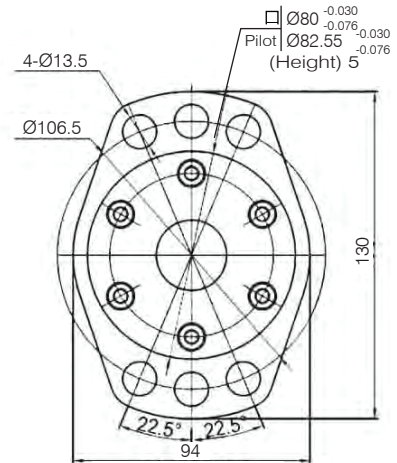
2 Bolt Flange



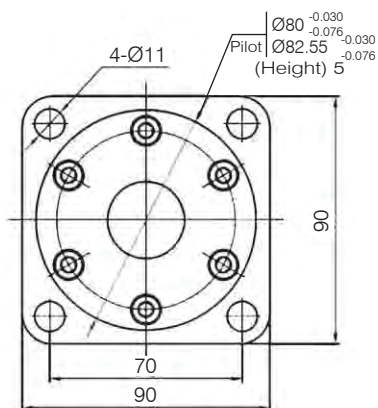
2 Bolt Flange



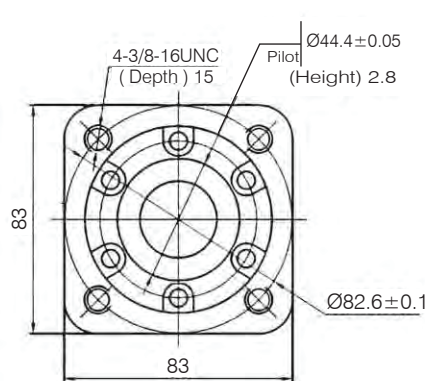
4 Bolt Flange



6 Bolt Flange

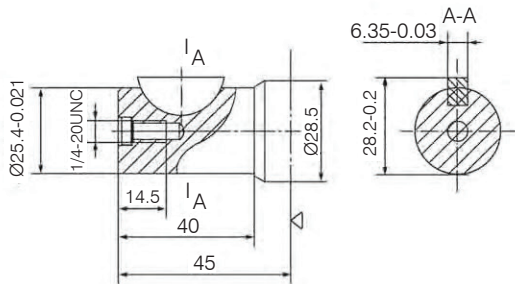
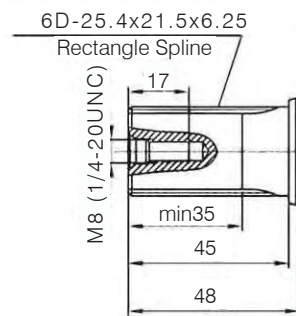
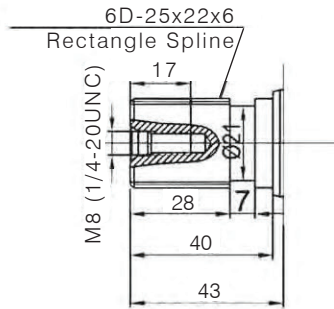
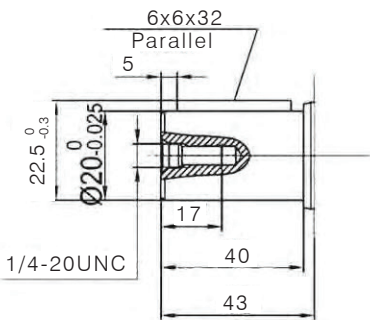
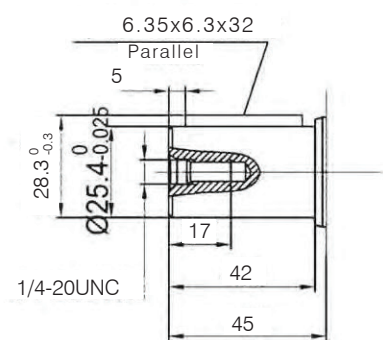
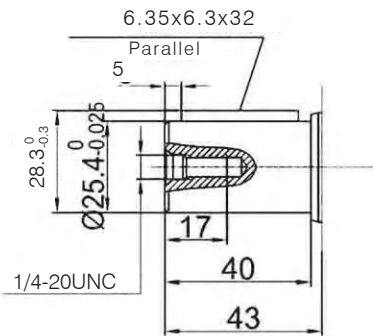
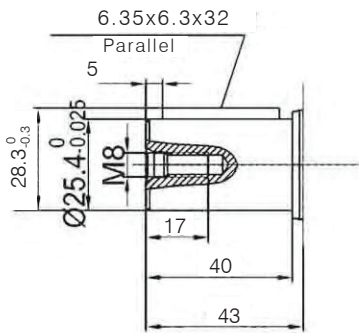
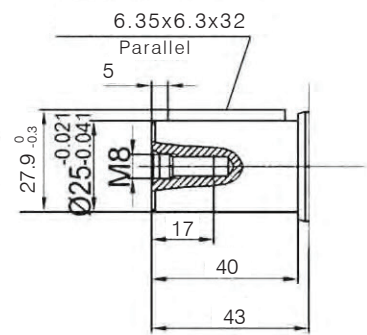
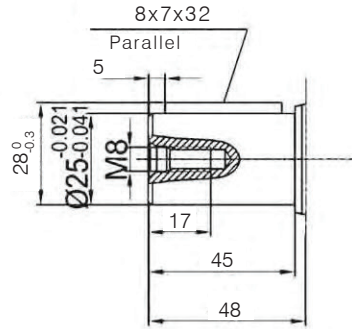
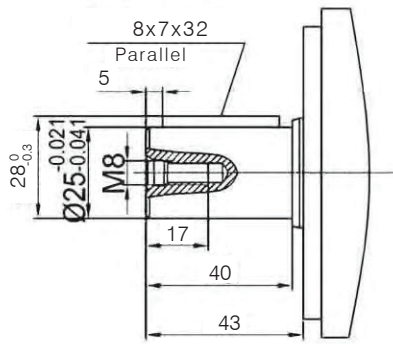


4 Bolt Flange



4 Bolt Flange

WINMAN V11 Boyutlar ve Montaj Verileri / V11 Dimensions and Mounting Data



WINMAN V11 Sipariş Bilgileri / V11 Ordering Information

Feature		Displacement/NO.										
Flange	Shaft	Oil port/ drain port	50	63	80	100	125	160	200	250	315	400
Rhomb flange; Ø82.5;	Ø25.4 Flat key:6.35; shaft thread:M8	S type G1/2; no drain port										
	Ø25.4 Flat key:6.35; shaft thread: 1/4-20UNC	S type G1/2; G1/4										
		S type G1/2; M14X1.5										
	Ø25 Flat key:8; shaft thread: M8	S type M18X1.5; no drain port										
		S type G1/2; M14X1.5										
		S type G1/2; no drain port										
		S type ZG1/2; no drain port										
	S type G1/2; G1/4	110 473-11	-	110 474-11	110 475-11	110 476-11	110 477-11	110 478-11	110 479-11	110 480-11	110 481-11	
	Shaft 6D-25X21.5X6; shaft thread:M8	S type G1/2; G1/4										
Shaft 6D-25.4X21.5X6.25; shaft thread:M8	S type G1/2; G1/4											
Rhomb flange; pilot Ø82.5; scraper seal	Ø25 Flat key 8; shaft thread:M8	S type G1/2; G1/4										
	Shaft 6D-25.4X21.5X6.25; shaft thread:M8	S type G1/2; G1/4										
Square flange; pilot Ø80;	Ø25 Flat key:8; shaft thread: M8	M18X1.5; no drain port										
		M18X1.5; M14X1.5										
		G1/2; no drain port										
	Shaft 6D-25X21.5X6; shaft thread:M8	M18X1.5; M14X1.5										
Square flange; pilotØ80; scraper seal	Ø25 Flat key:8; shaft thread: M8	M18X1.5; M14X1.5										

Not: Diğer modeller için bilgi alınız.

WINMAN V11 Performans Verisi / Type number-V11 series motors

1	2	3	4	5	6	7	8
V11							

1) Position V11 series motors
2) CC/R

Position displacement

- 1, 50
- 2, 63
- 3, 80
- 4, 100
- 5, 125
- 6, 160
- 7, 200
- 8, 250
- 9, 315
- 10, 400

3) Position Flange and pilot

- A, 2 bolt Rhomb-flange, pilot $\varnothing 80 \times 2.8 \text{mm}$
- B, 2 bolt Rhomb-flange, pilot $\varnothing 82.55 \times 2.8 \text{mm}$
- C, 2 bolt Rhomb-flange, pilot $\varnothing 80 \times 5 \text{mm}$
- D, 2 bolt Rhomb-flange, pilot $\varnothing 82.55 \times 5 \text{mm}$
- E, 4 bolt Rhomb-flange, pilot $\varnothing 80 \times 5 \text{mm}$
- F, 4 bolt Rhomb-flange, pilot $\varnothing 82.55 \times 5 \text{mm}$
- G, 4 bolt Rhomb-flange, pilot $\varnothing 80 \times 5 \text{mm}$
- H, 4 bolt Rhomb-flange, pilot $\varnothing 82.55 \times 5 \text{mm}$
- I, 4 bolt Square flange, pilot $\varnothing 85 \times 5 \text{mm}$
- J, 4 bolt Square flange, pilot $\varnothing 44.4 \times 2.8 \text{mm}$
- K, 6 bolt Rhomb-flange, pilot $\varnothing 80 \times 5 \text{mm}$
- L, 6 bolt Rhomb-flange, pilot $\varnothing 82.55 \times 5 \text{mm}$

4) Position shaft

- 1, $\varnothing 25$ straight shaft, flat key $8 \times 7 \times 32$
- 2, $\varnothing 25$ straight shaft, flat key $6.35 \times 6.3 \times 32$
- 3, $\varnothing 25.4$ straight shaft, flat key $6.35 \times 6.3 \times 32$
- 4, $\varnothing 20$ straight shaft, flat key $6 \times 6 \times 32$
- 5, Splined shaft 6D-25.4X21.5X6.25
- 6, Splined shaft 6D-25X22X6

5) Position oil port

- A, G1/2
- B, M22X1.5
- C, 1/2-14NPTF
- D, ZGI/2
- E, M18X1.5
- G, 7/8-14UNF

6) Position drain port

- 2, M14x1.5
- 3, G1/4
- 4, 7/16-20UNF

7) Position paint color

- A, silver paint
- B, blue
- C, black
- D, no paint

8) Position rotation direction

- A, standard
- B, opposite