

WINMAN V61 Serisi / V61 Series

Karakteristik Özellikler / Characteristic Features

- V61 motor is a disc valve type gerolor motor.
- Advanced design in disc distribution flow, which can provide improved performance at low speed.
- Advanced design of shaft seal, which can bear higher pressure.
- Advanced distribution mechanism design, which has the automatic compensation function.
- Double-rolling bearing design, which permit higher radial loads.
- A variety of connection types of flange, output shaft and oil port.

Ana Özellikler / Main Specification

(ml/r) Displacement		195	245	310	395	490	625	800	985
(LPM) Flow	Cont.	150	150	150	150	150	150	150	150
	Int..	170	210	225	225	225	225	225	225
(RPM) Speed	Cont.	776	615	484	385	308	242	186	155
	Int..	865	836	699	572	453	354	275	230
(MPa) Pressure	Cont.	20.5	20.5	20.5	20.5	17	14	12	12
	Int..	31	31	31	31	27.5	17	14	14
(N*m) Torque	Cont.	572	572	928	1156	1213	1331	1378	1565
	Int..	852	852	1356	1633	1878	1368	1645	1877

1. Intermittent means the entrance of the maximum pressure; continuous working pressure means the differential pressure.
2. Motor should not work under the highest pressure and the maximum speed.
3. The running time should not exceed 10% under intermittent working conditions
4. Recommending N68 anti-wear hydraulic oil, viscosity 37-73cSt, cleanliness ISO 18/13.
5. The Maximum working temperature is 80°.
6. One hour running time under 40% of maximum working pressure is recommended before full capacity working.
7. The maximum allowable back pressure is 10MPa, but the recommended back pressure should not exceed 5MPa. a leaking pipes is needed when exceeding.

WINMAN V61Performans Verisi / V61 Performance Data
V61-195 195ml/r

		ΔP (MPa)								
		3.5	7	10.5	14	17	20.5	24	27.5	31
Flow (L/min)	15	80 76	175 74	271 71	366 65	454 62	521 45	589 32	654 18	
	30	86 153	179 148	274 144	371 130	464 116	545 116	626 99	704 82	779 65
	45	85 230	180 226	279 221	374 212	476 202	565 186	654 168	751 148	825 118
	61	79 307	179 303	280 300	376 290	475 283	574 258	664 236	760 214	845 181
	76	80 385	179 379	281 373	380 365	480 255	574 332	671 305	769 280	
	91	80 462	174 456	274 450	375 439	474 430	575 412	669 388	770 363	
	106	74 539	176 532	271 525	375 513	474 502	570 541	669 448	770 420	
	121	70 617	169 609	269 602	369 590	470 575	570 541	670 510	763 480	
	136	70 692	163 684	264 674	364 660	465 645	565 600	664 564		
	151	70 770	164 759	261 745	364 733	466 717	559 666	660 624		
	179	65 866	161 854	259 844	360 825	461 808				

V61-245 245ml/r

		ΔP (MPa)								
		3.5	7	10.5	14	17	20.5	24	27.5	31
Flow (L/min)	15	106 60	227 56	346 54	461 48	577 42	643 39	751 31	853 12	960 6
	30	110 120	237 116	274 144	475 104	596 95	701 81	800 67	905 48	1018 35
	45	110 182	235 179	279 221	482 165	607 157	721 141	840 123	955 107	1075 90
	61	112 244	236 240	280 300	487 228	611 221	730 202	844 184	960 163	1181 144
	76	105 306	232 301	281 373	485 287	614 277	735 256	853 238	980 217	
	91	104 365	231 361	274 450	482 348	612 338	735 314	861 290	979 270	
	106	102 426	227 421	271 525	483 403	611 375	733 355	855 335	980 320	
	121	91 489	216 481	269 602	470 461	600 447	725 422	850 395		
	136	80 550	210 544	264 674	460 524	580 510	710 480	840 454		
	151	80 612	202 606	261 745	456 585	580 570	700 538	800 507		
	179	66 688	202 682	259 844	446 685	575 640	685 606			
	189		195 758	316 749	441 731	555 710				
208		191 834	311 834	431 804						

V61-310 310ml/r

		ΔP (MPa)								
		3.5	7	10.5	14	17	20.5	24	27.5	31
Flow (L/min)	15	136 47	292 45	431 42	573 38	684 32	801 24	934 17	1020 10	1070 3
	30	140 95	300 92	451 87	596 81	732 73	870 63	985 54	1100 44	1235 32
	45	140 143	306 140	461 135	612 129	760 120	909 110	1045 99	1180 88	1330 75
	61	140 192	302 188	462 184	615 178	771 167	920 154	1060 140	1200 124	
	76	135 241	296 236	457 232	617 226	772 216	925 200	1075 182	1220 165	
	91	130 289	296 282	456 278	614 273	774 260	929 254	1078 232	1226 215	
	106	130 336	290 333	450 327	609 320	768 308	928 295	1073 276		
	121	125 384	285 381	444 375	600 367	763 354	918 341	1060 320		
	136	120 430	276 421	434 416	590 410	748 396	912 383	1050 360		
	151	115 478	271 466	424 461	578 456	743 441	902 427			
	179	110 597	245 582	384 576	523 570	682 551	836 534			
	227		220 698	364 691	513 684	647 661				

V61-395 395ml/r

		ΔP (MPa)								
		3.5	7	10.5	14	17	20.5	24	27.5	31
Flow (L/min)	15	188 37	378 36	563 34	573 38	923 28	1083 21	1276 13	1371 5	1635 1
	30	188 75	383 73	578 71	596 81	953 64	1137 54	1316 44	1456 32	
	45	188 114	388 111	583 108	612 129	968 99	1152 90	1341 80	1540 78	
	61	183 153	383 150	583 146	615 178	968 131	1156 125	1345 115		
	76	183 192	383 188	583 186	617 226	973 174	1161 161			
	91	173 228	373 228	573 224	614 273	968 211	1156 203			
	106	168 267	368 265	568 260	609 320	963 247	1151 235			
	121	163 305	353 303	558 298	600 367	947 281	1146 268			
	136	158 345	343 339	548 335	590 410	733 316				
	151	153 382	328 379	538 374	578 456	917 358				
	179	133 481	303 474	518 468	523 570	913 448				
	227		283 569	502 561	721 551					

WINMAN V61 Performans Verisi / V61 Performance Data
V61-490 490ml/r

		ΔP (MPa)								
		3.5	7	10.5	14	17	20.5	24	27.5	
Flow (L/min)	15	235	486	725	962	1195	1408	1643		
	30	30	29	28	27	25	21	17		
	30	235	486	734	973	1213	1442	1680		
	60	60	59	57	54	51	45	38		
	45	235	485	733	974	1218	1450			
	90	91	89	87	84	79	71			
	61	234	480	728	973	1217	1456			
	122	122	121	118	114	109	100			
	76	225	470	723	972	1217				
	152	152	150	147	144	139				
	91	220	469	717	968	1210				
	184	184	181	180	176	171				
	106	209	459	708	957	1205				
214	214	211	208	204	198					
121	194	448	700	947	1200					
244	244	241	237	232	226					
136	175	433	683	937	1170					
275	275	272	265	260	255					
151	160	423	673	917						
306	306	303	295	290						
179	130	364	588							
382	382	379	365							
227		323	546							
		454	442							

V61-625 625ml/r

		ΔP (MPa)							
		3.5	5	7	8.5	10.5	12	14	17
Flow (L/min)	15	275	425	570	709	849	954	1063	1190
	30	24	24	23	22	21	18	16	15
	30	295	450	604	754	923	1093	1267	1355
	60	45	44	44	43	42	39	37	36
	45	295	448	609	764	918	123	1327	1375
	90	72	71	71	70	68	66	64	63
	61	285	445	604	759	914	1118	1323	1370
	122	94	93	92	91	89	87	85	83
	76	280	439	594	754	914	1118	1324	1372
	119	119	118	117	116	115	112	110	107
	91	264	429	585	744	904	1108	1317	1365
	143	143	142	140	139	138	135	132	130
	106	255	414	574	734	893	1103	1312	
168	168	166	165	164	162	159	156		
121	240	400	559	719	878	1088			
192	192	190	188	187	185	182			
136	220	379	539	698	853	1047			
216	216	214	213	212	210	207			
151	200	360	519	379	833				
240	240	239	238	237	236				
179		310	469	629	788				
		298	296	294	290				
227		254	430	588					
		355	353	350					

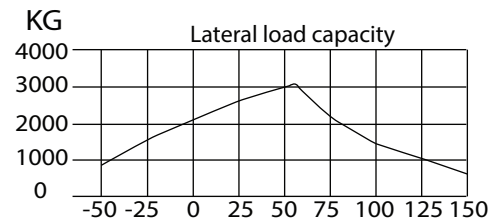
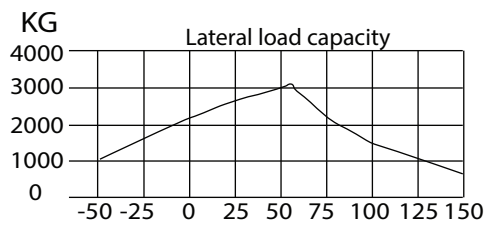
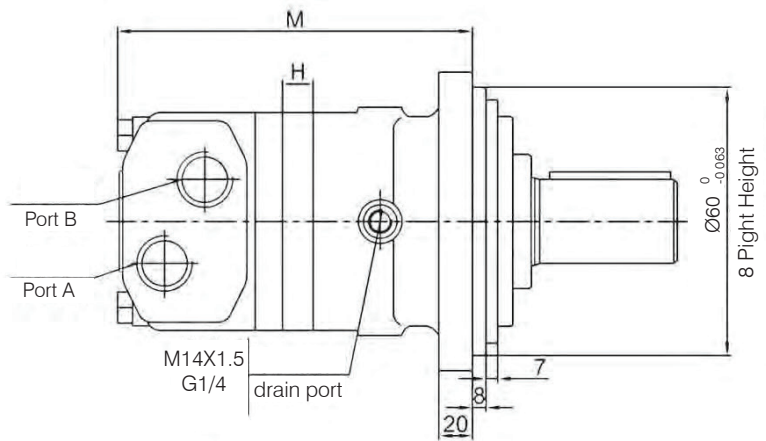
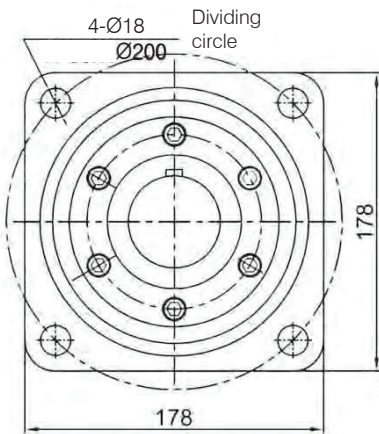
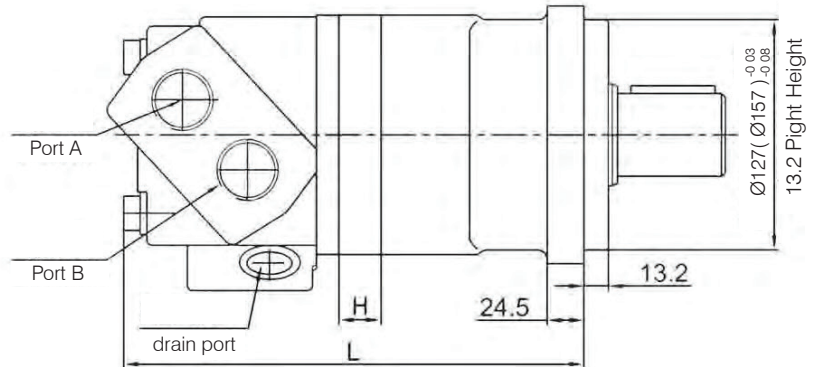
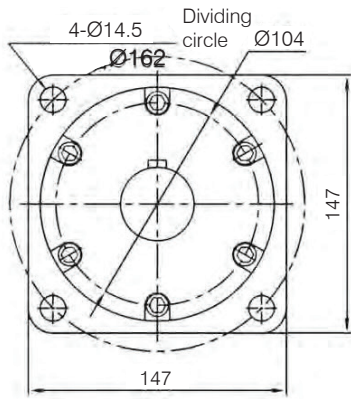
V61-800 800ml/r

		ΔP (MPa)						
		3.5	5	7	8.5	10.5	12	14
Flow (L/min)	15	434	607	838	1018	1238	1377	1646
	30	18	17	17	16	15	14	13
	30	419	395	828	1003	1238	1412	1606
	60	36	35	35	34	33	31	29
	45	379	564	794	870	1187	1358	
	90	55	55	54	54	53	51	
	61	339	519	758	837	1167		
	122	75	74	72	71	70		
	76	324	498	728	897	1135		
	193	93	92	90	89	87		
	91	314	468	698	857	1076		
	111	111	110	109	108	105		
	106	309	448	648	797			
129	129	128	127	125				
121	279	419	608	746				
148	148	146	145	143				
136	269	398	547	695				
166	166	165	165	164				
151	249	348	497	631				
184	184	183	182	180				
179		299	438					
		230	228					
227			378					
			276					

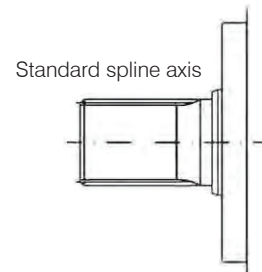
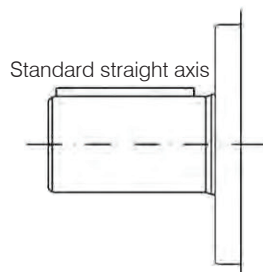
V61-985 985ml/r

		ΔP (MPa)						
		3.5	5	7	8.5	10.5	12	14
Flow (L/min)	15	484	774	964	1203	1443	1567	1786
	30	15	15	14	14	13	13	12
	30	494	749	994	1233	1477	1637	1871
	60	30	30	29	28	27	26	25
	45	494	749	1000	1248	1492	1696	
	90	45	45	44	43	42	41	
	61	489	739	995	1243	1497		
	122	61	61	60	59	58		
	76	475	730	983	1233	1481		
	177	77	76	76	75	74		
	91	460	704	959	1217	1466		
	192	92	92	91	90	89		
	106	444	700	949	1197	1446		
107	107	107	106	105	103			
121	425	674	923	1156				
123	123	122	121	120				
136	394	645	893	1120				
138	138	138	137	135				
151	365	609	864	1080				
153	153	152	151	150				
179	325	585	829					
191	191	190	189					
227		525	809					
		230	229					

WINMAN V61 Boyutlar ve Montaj Verileri / V61 Dimensions and Mounting Data

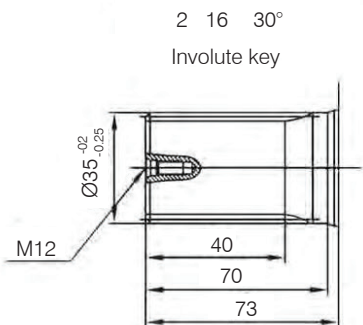
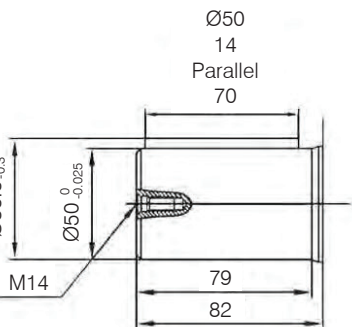
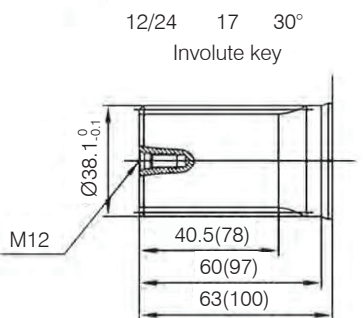
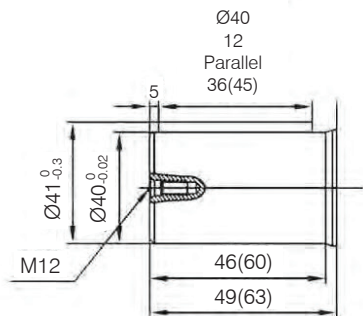
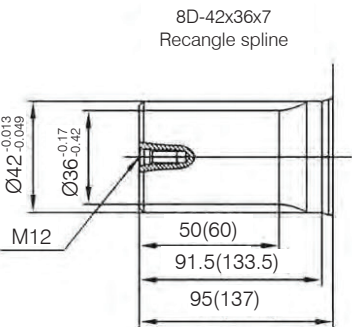
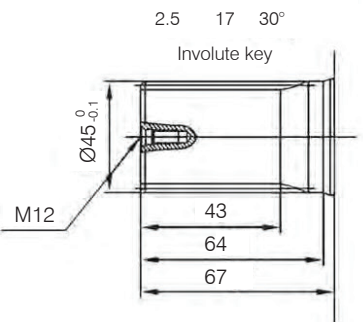
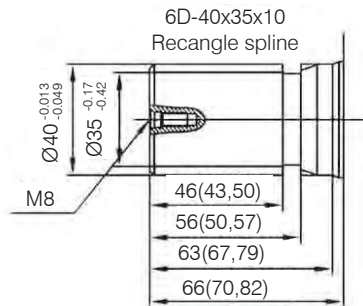
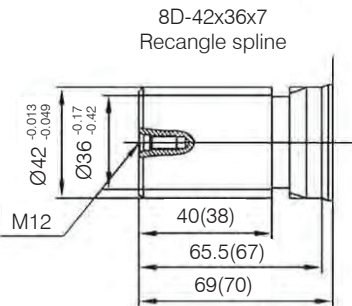
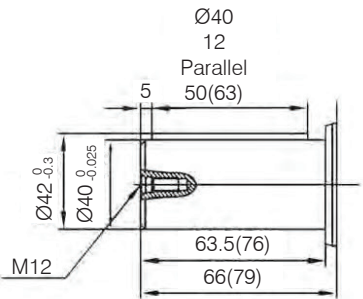
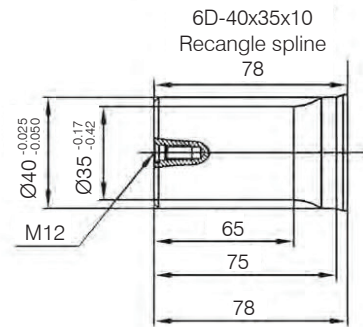
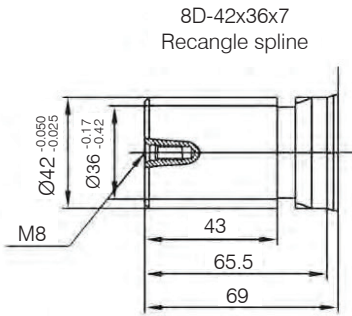
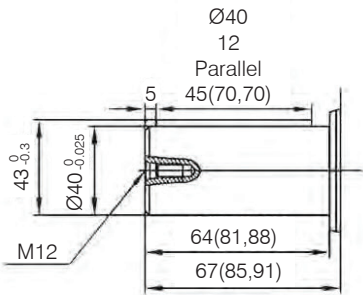


Standard Direction of The Motor
Rotation:
CW-When A Port pressurized
Viewed From the Shaft End.

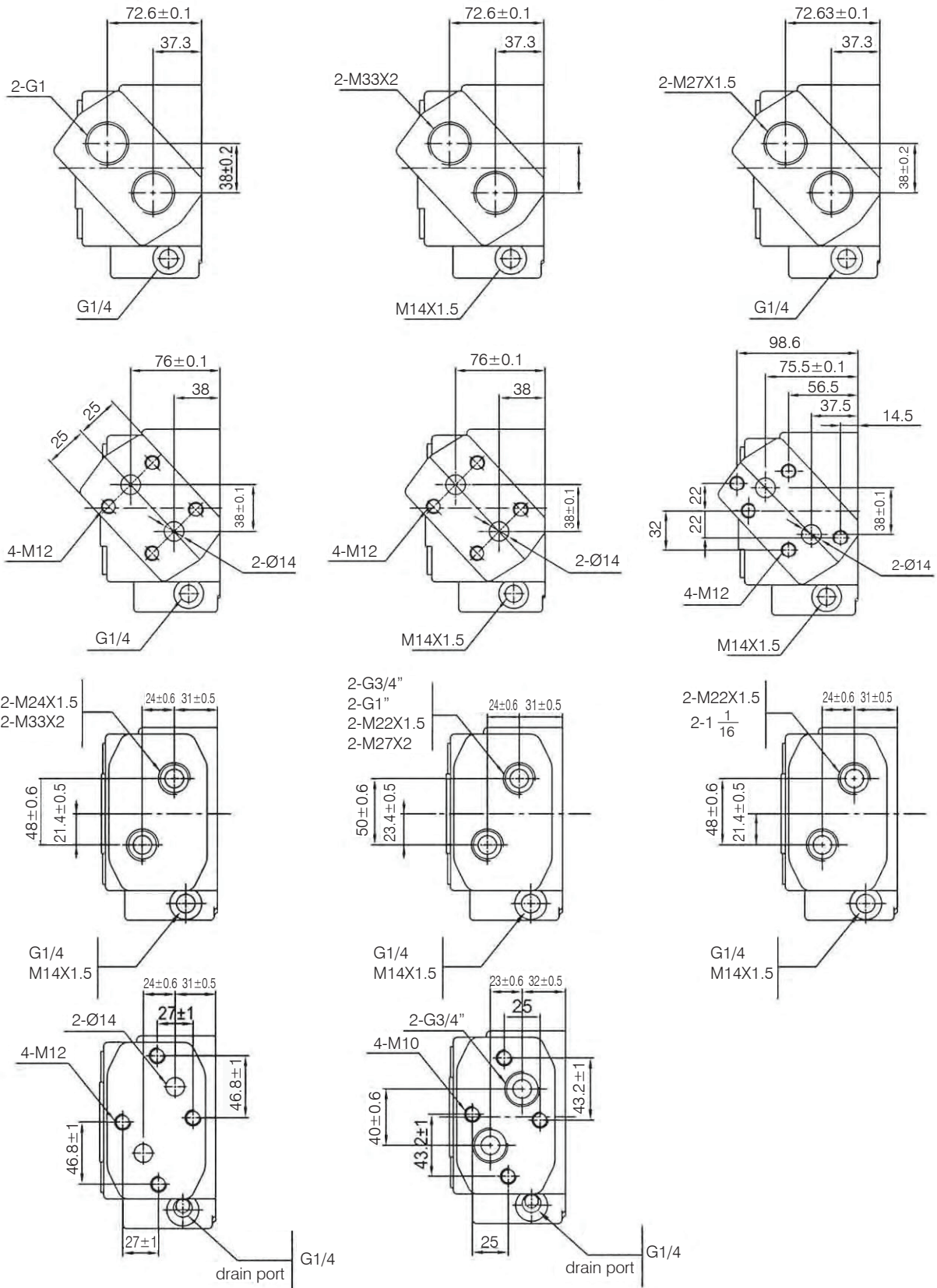


Displacement (cc/r)	H (mm)	L (mm)	M (mm)
195	21.7	245.7	230.7
245	27.3	251.3	236.3
310	34.6	258.6	243.6
395	43.4	267.4	252.4
490	54.4	279.4	264.4
625	69.2	293.2	278.2
800	89	313	298
985	108.8	332.8	317.8

WINMAN V61 Boyutlar ve Montaj Verileri / V61 Dimensions and Mounting Data



WINMAN V61 Boyutlar ve Montaj Verileri / V61 Dimensions and Mounting Data



WINMAN V61 Sipariş Bilgileri / V61 Ordering Information

Feature			Displacement/NO.							
Flange	Shaft	Oil port/ drain port	195	245	310	395	490	625	800	985
Square flange; Pilot:Ø127	Ø40 P12 x 63	M33 x 2; M14 x 1.5								
Square flange; Pilot:Ø125	Ø40 P12 x 45	G3/4; G1/4; Plate-connection: 4-M10								
Square flange; Pilot:Ø160	Ø50 x 79 P14 x 70	M33 x 2; M14 x 1.5								
Square flange; Pilot:Ø127	Ø40 P12 x 50	M33 x 2; M14 x 1.5								
	Ø40 P12 x 45	M33 x 2; G1/4								
Square flange; Pilot:Ø125	Ø40 P12 x 63	M24 x 1.5; M14 x 1.5								
Square flange; Pilot:Ø160	Ø50 x 79 P14 x 70	G1; G1/4; Plate-connection: 4-M12								
Square flange; Pilot:Ø127	Ø40 P12 x 63	G1; G1/4	122 898-61	144 431-61	110 470-61	110 471-61	110 472-61	144 415-61	122 709-61	-
	Ø38.1 P9.5 x 45	1-5/16; 7/16-20UNF								
	8D-2 x 36 x 7	M33 x 2; M14 x 1.5								
	8D-40 x 35 x 10	M33 x 2; M14 x 1.5								
Square flange; Pilot:Ø160	6D-40 x 35 x 10	G1; G1/4; Plate-connection: 4-M12								
Square flange; Pilot:Ø127	8D-42 x 36 x 7	Ø14; Plate-connection: 4-M12								
Square flange; Pilot:Ø160	6D-40 x 35 x 10	M33 x 2; G1/4								
Square flange; Pilot:Ø127	6D-40-35 x 10	M33 x 2; M14 x 1.5								
Square flange; Pilot:Ø160	6D-40-35 x 10	M33 x 2; M14 x 1.5								
	Spline:17 M=2.5	G1; G1/4								
Square flange; Pilot:Ø127	Spline:16 M=2	M33 x 2; M14 x 1.5								

Not: Diğer modeller için bilgi alınız.

WINMAN Tip Numarası V61 Performans Verisi / Type Number-V61 Series Motors

1	2	3	4	5	6	7	8
V61							

1) V61

Position V61 series motors

2) CC/R

Position displacement

- 1, 195
- 2, 245
- 3, 310
- 4, 396
- 5, 490
- 6, 625
- 7, 800
- 8, 985

3) Position Flange and pilot

- A, 4 bolt Square-flange, pilot $\varnothing 125 \times 13 \text{cm}$
- B, 4 bolt Square-flange, pilot $\varnothing 127 \times 13.2 \text{mm}$
- C, 4 bolt Square-flange, pilot $\varnothing 160 \times 8 \text{mm}$

4) Position shaft

- 1, $\varnothing 32$ straight shaft, flat key 10x8x36
- 2, $\varnothing 32$ straight shaft, flat key 10x8x45
- 3, $\varnothing 40$ straight shaft, flat key 12x8x45
- 4, $\varnothing 40$ straight shaft, flat key 12x8x70
- 5, $\varnothing 40$ straight shaft, flat key 12x8x50
- 6, $\varnothing 40$ straight shaft, flat key 12x8x63
- 7, $\varnothing 50$ straight shaft, flat key 14x9x70
- 8, Spline shaft 8D-42x36x7
- 9, Splined shaft 6D-40x35x10
- 10, Splined shaft 12/24DP 17 tooth
- 11, Splined shaft 2.5 17 tooth
- 12, Splined shaft 2 16 tooth

5) Position V61 series motors

- A, G1/2
- B, M22X1.5
- C, $\varnothing 14$
- D, ZG1/2
- E, M18X1.5
- F, M24X1.5
- G, 1-5/16-12UNF
- H, $\varnothing 13$
- I, M27x2
- J, G3/4
- K, M33x2
- L, 11/16

6) Position drain port

- 2, M14x1.5
- 3, G1/4
- 4, 7/16-20UNF
- 5, R1/4

7) Position paint color

- A, silver paint
- B, blue
- C, black
- D, no paint

7) Position rotation direction

- A, standard
- B, opposite