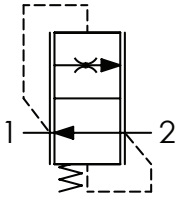


VCC140 SABİT İNİŞ KONTROL KATRICİ

VCC140 SERIES



Control Port(s)



Ordering Code

1	2
VCC140	

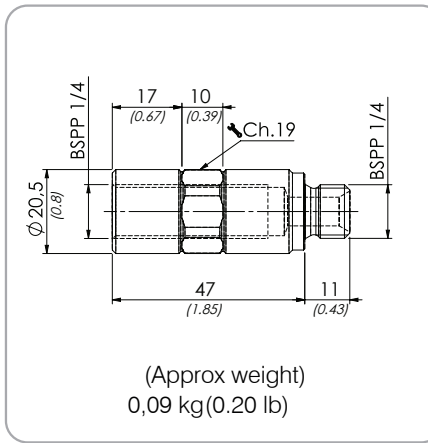
01	(Fixed flow control valves - pressure compensated)	VCC140
02	Controlled flow at 100 bar ± 10 %	1 l/min (0.26 USgpm) 1
		2 l/min (0.53 USgpm) 2
		3 l/min (0.79 USgpm) 3
		4 l/min (1.06 USgpm) 4
		5 l/min (1.32 USgpm) 5
		6 l/min (1.58 USgpm) 6
		7 l/min (1.85 USgpm) 7
		8 l/min (2.11 USgpm) 8
		9 l/min (2.38 USgpm) 9
		10 l/min (2.64 USgpm) 10
		11 l/min (2.90 USgpm) 11
		12 l/min (3.17 USgpm) 12

Speciality

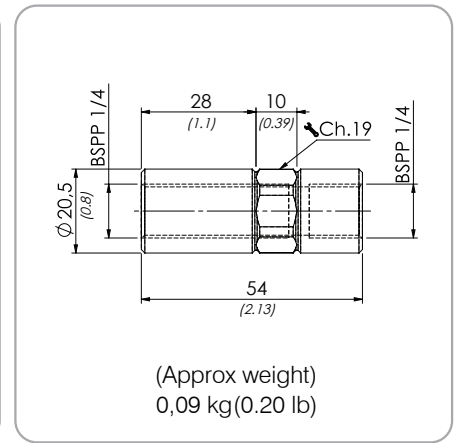
Mineral oil	ISO 6743/4
Oil viscosity	15-250 mm ² /s
Max contamination index with filter	ISO 4406:1999
Oil temperature	-20°C +80°C
Ambient temperature	-20°C +50°C
It is necessary a filter use to protect the valve (advised filtration 15 μm)	

Performance

Type 61100160

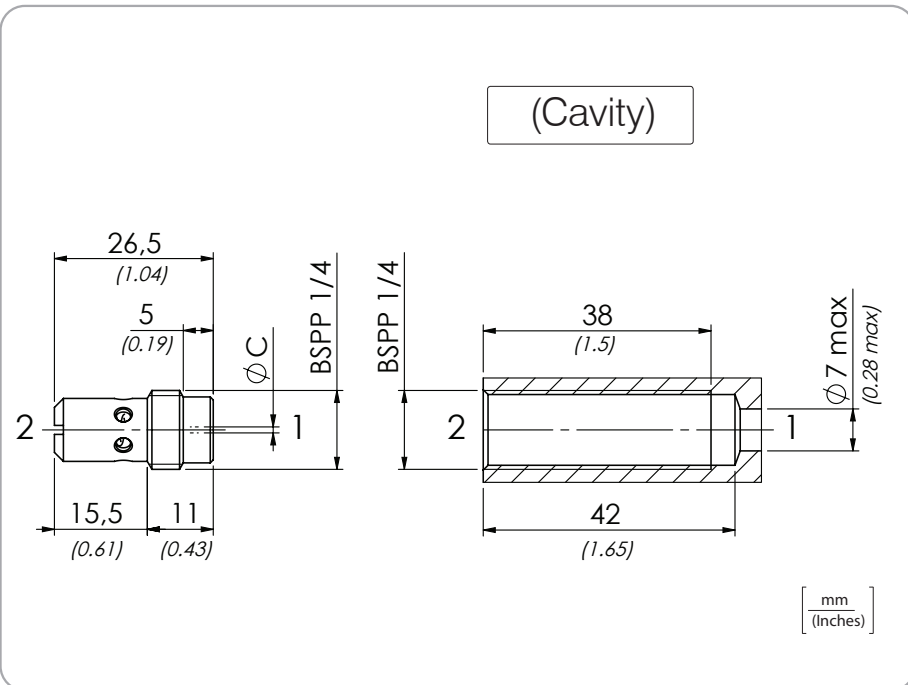


Type 61100159



Type	Max flow l/min - USgpm	Max pressure bar / PSI	Tightening torque Nm-ibf-ft	Approx weight kg-lb
VCC140	12(3.2)	250(3625)	4 (3)	0,014(0.031)

Dimensions



(Type)	Ø C
VCC1401	1 (0.04)
VCC1402	1,2 (0.05)
VCC1403	1,5 (0.06)
VCC1404	1,7 (0.07)
VCC1405	1,9 (0.07)
VCC1406	2,1 (0.08)
VCC1407	2,3 (0.09)
VCC1408	2,4 (0.09)
VCC1409	2,7 (0.11)
VCC14010	2,8 (0.11)
VCC14011	3,1 (0.12)
VCC14012	3,3 (0.13)