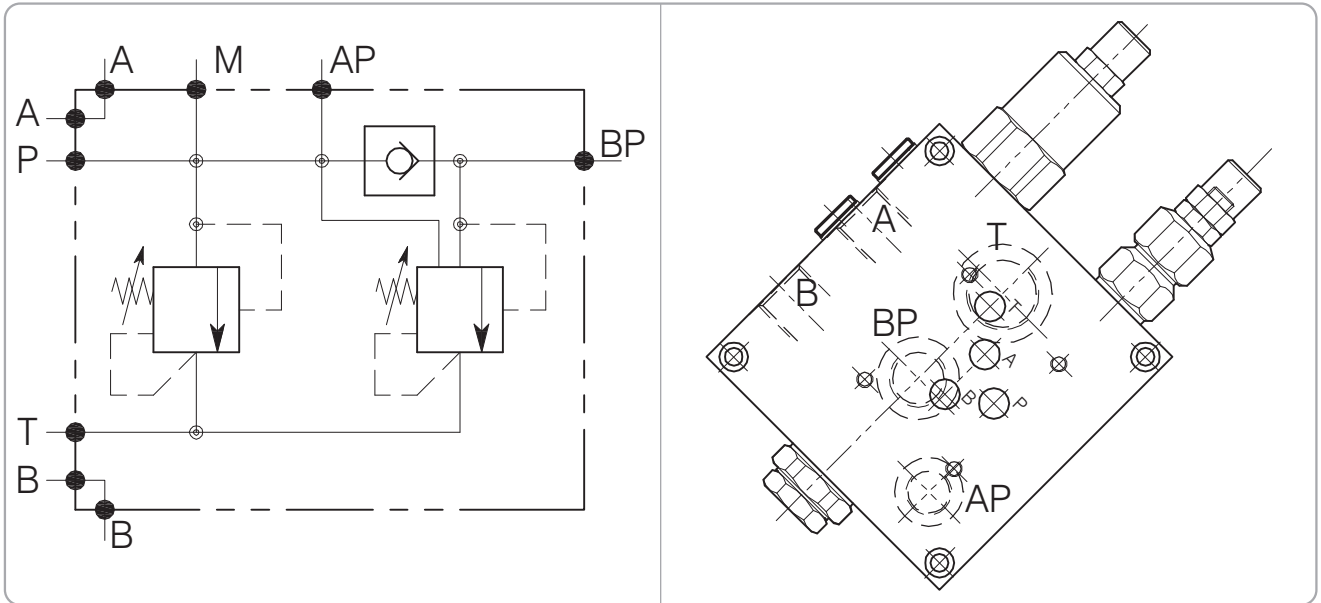


VD-CTP-05

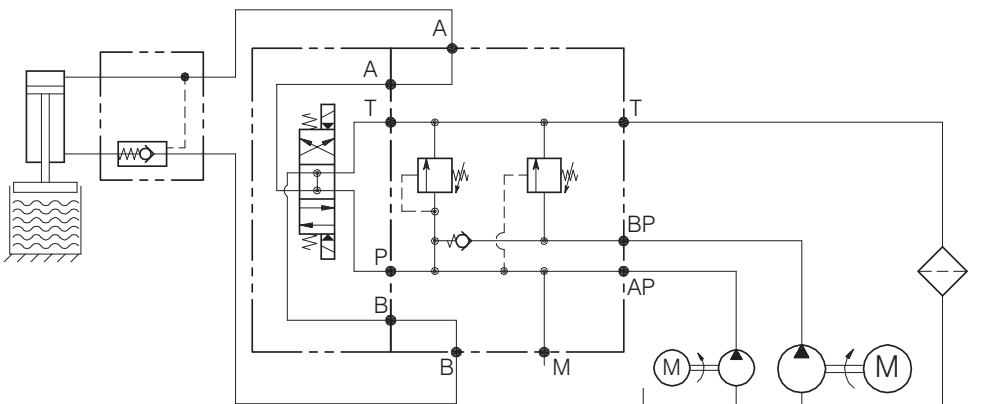
PUMP UNLOADING VALVE WITH ADDITIONAL REFIL



Performance

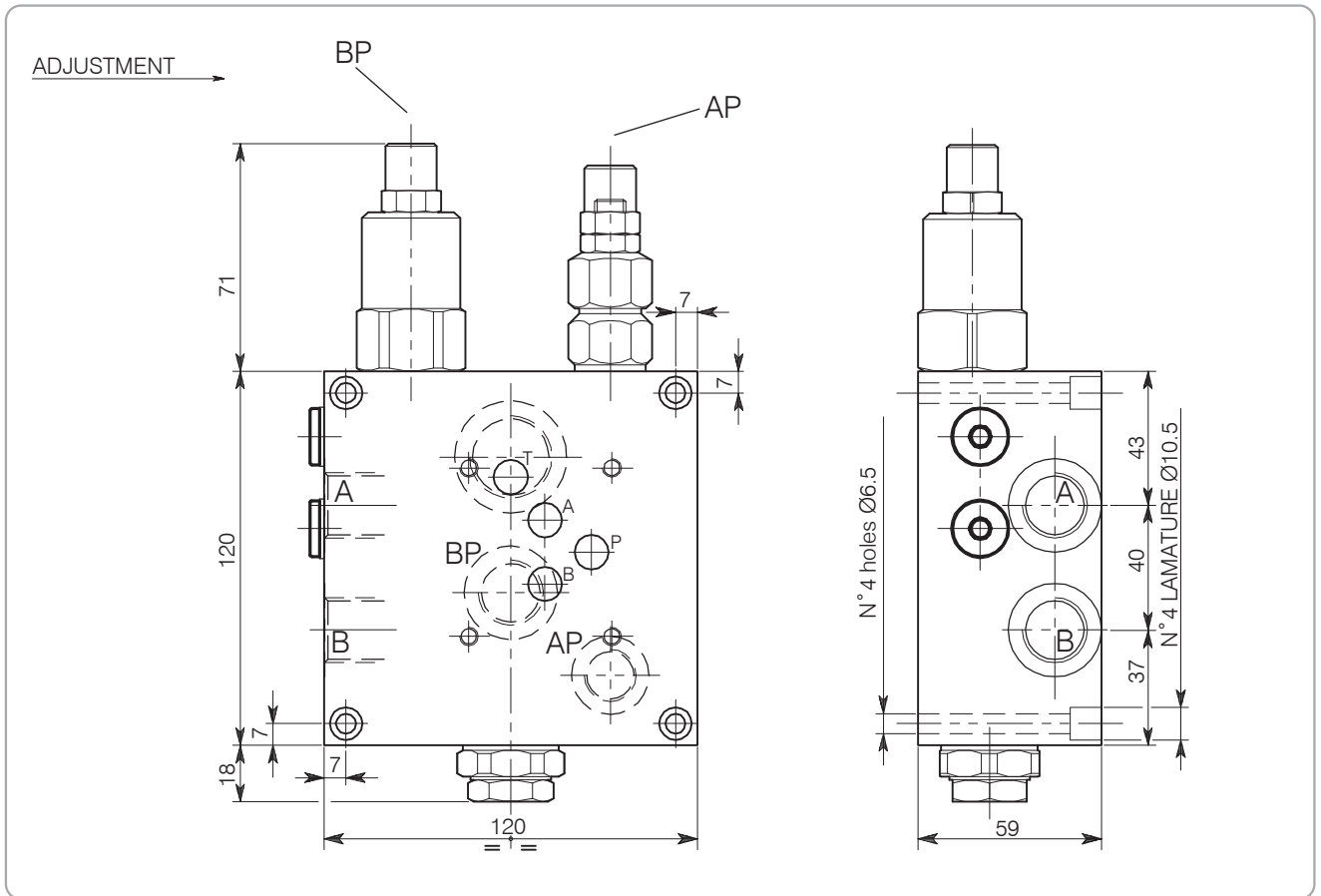
Rated size	DN 10
Max flow-rate	90 l/min - 20 GPM
Max working pressure	350 bar - 5075 PSI
Max setting pressure	350 bar - 5075 PSI
Room temperature	-30°C + 50°C
Oil temperature	-30°C + 80°C
Recommended filtration	30+50 micron
Weight	

Typical Circuit Example



VD-CTP-05

Hydraulic valves and integrated components



Dimensions

Setting Range			Port size T GAS (BSPP)	Port size P1-P2 C GAS (BSPP)	Port size AP GAS (BSPP)	Rated size DN	Max flow-rate l/min - GPM	Port size M GAS (BSPP)
680	679	678	3/4"	1/2"	3/8"	12	90-22	1/4"

Ordering Code

2 • 6 8 0 • 0 • X • 0

Setting Range			
(AP) 680	(AP) 679	(AP) 678	(BP) 678
Setting range 20÷350 bar (yellow spring)	Setting range 10÷210 bar (yellow spring)	Setting range 5÷100 bar (yellow spring)	Setting range 10÷90 bar (yellow spring)
Std. bar setting (Q=5 l/1') 320 bar	Std. bar setting (Q=5 l/1') 180 bar	Std. bar setting (Q=5 l/1') 80 bar	Std. bar setting (Q=5 l/1') 40 bar