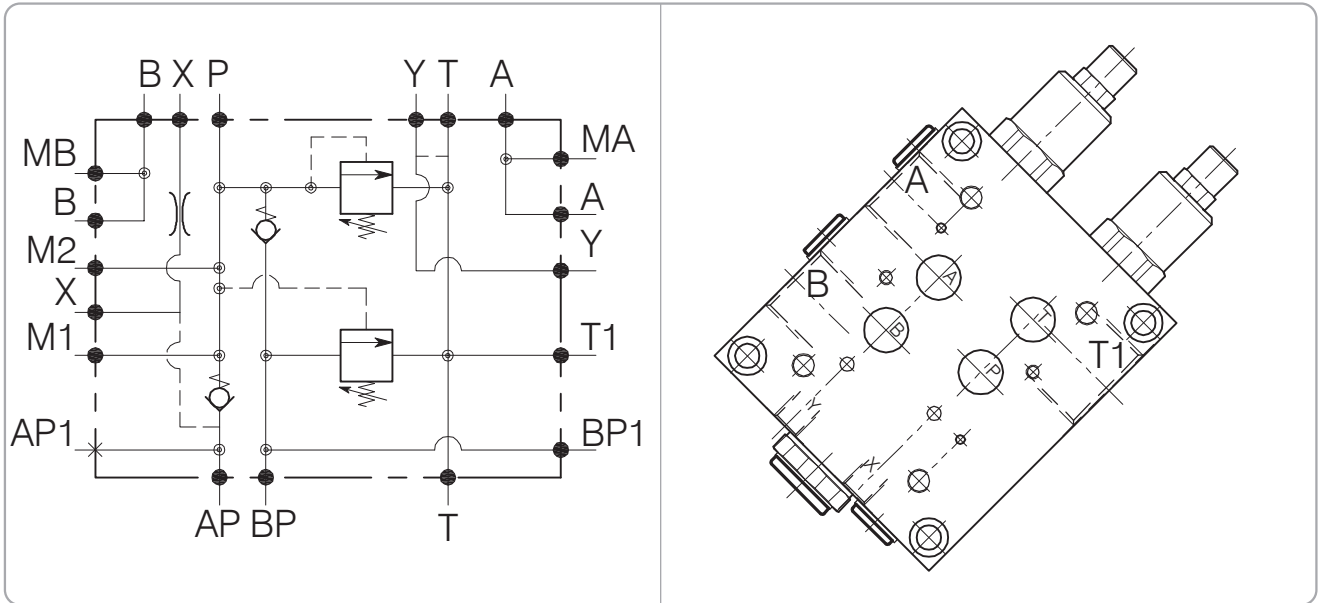


VDP-L16-FC7-34-L-F...

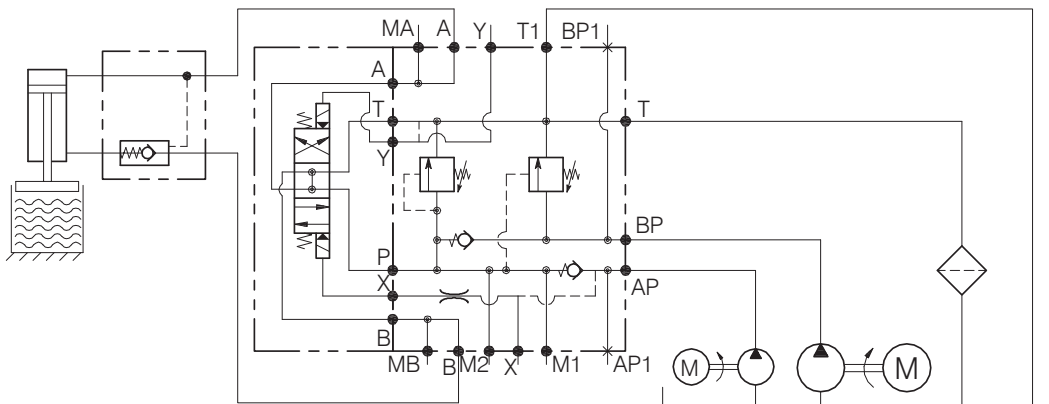
PUMP UNLOADING VALVE WITH ADDITIONAL REFIL



Performance

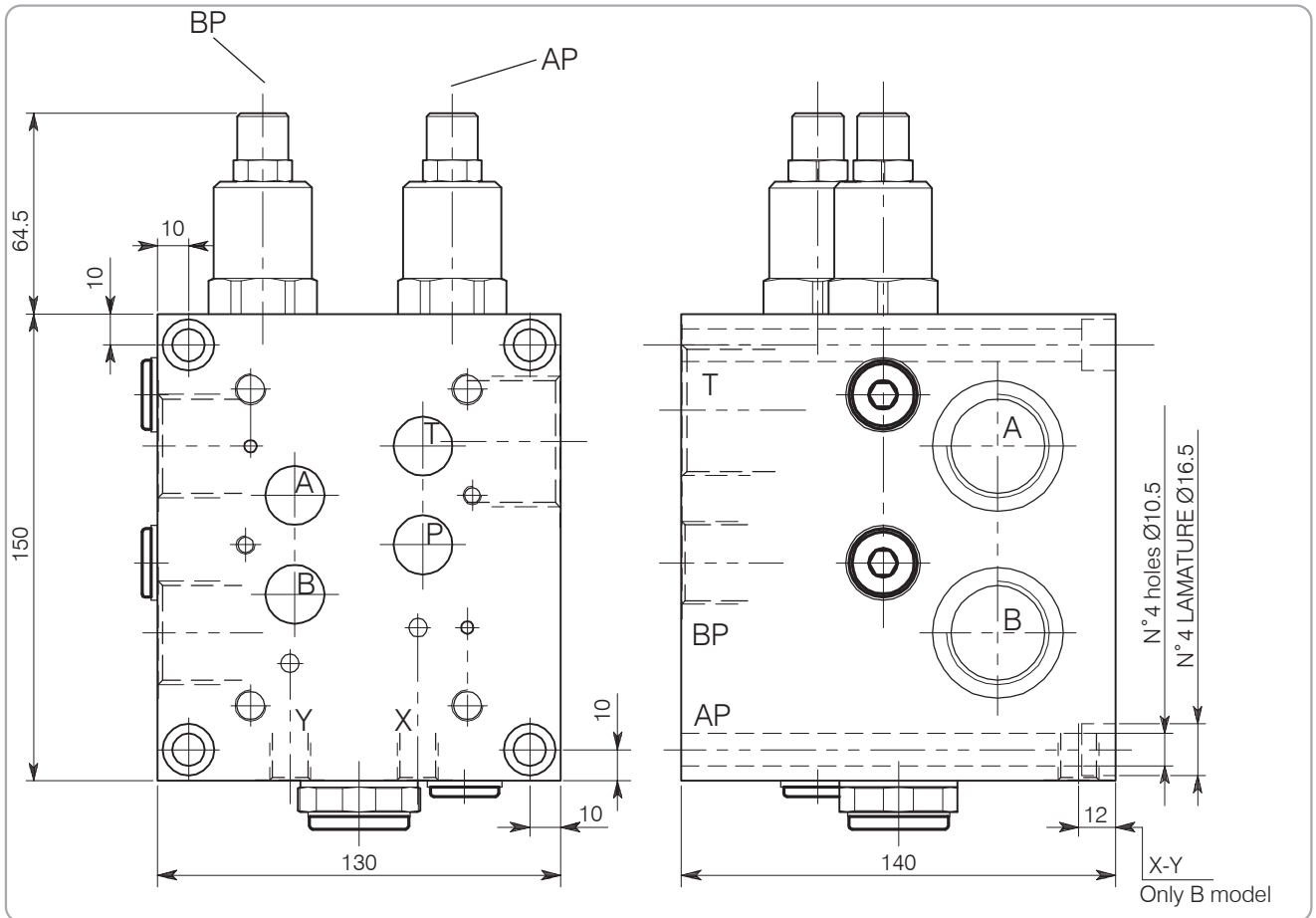
Rated size	DN 16
Max flow-rate	200 l/min - 50 GPM
Max working pressure	350 bar - 5075 PSI
Max setting pressure	350 bar - 5075 PSI
Room temperature	-30°C + 50°C
Oil temperature	-30°C + 80°C
Recommended filtration	30+50 micron
Weight	7.505 Kg

Typical Circuit Example



VDP-L16-FC7-34-L-F...

Hydraulic valves and integrated components



Dimensions

Setting Range	Port size T -T1 GAS (BSPP)	Port size A-B GAS (BSPP)	Port size BP-BP1 GAS (BSPP)	Port size AP-AP1 GAS (BSPP)	Port size M1-M2-MA MB-X-YGAS (BSPP)	Rated size DN	Max flow-rate l/min - GPM
404	1 1/4"	1"	3/4"	1/2"	1/4"	16	200-50

Ordering Code

2 • 4 0 4 • 0 • X • 0

Setting Range			
(AP)		(BP)	
(404)			
Setting range 20÷350 bar (yellow spring)		Setting range 10÷90 bar (yellow spring)	
Std. bar setting (Q=5 l/1')	Pressure rise - turn of screw	Std. bar setting (Q=5 l/1')	Pressure rise - turn of screw
280 bar	(--)	40 bar	(--)

**Pilot**

A : Internal  
B : External 1/4" GAS