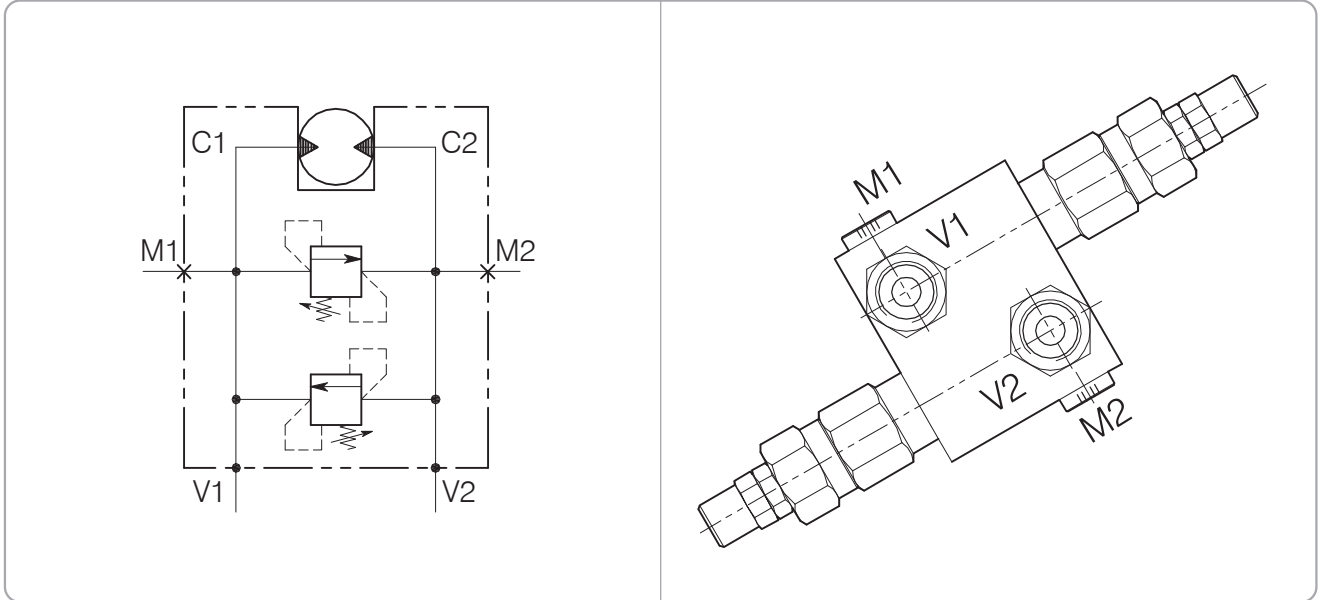


**VDI-45-SN-FM...-12D**

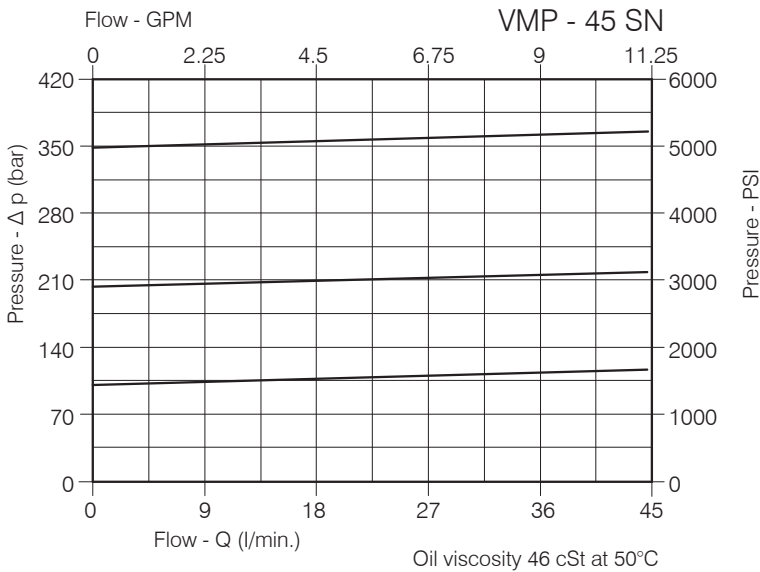
**DOUBLE RELIEF VALVE, DIRECT ACTING POPPET TYPE VALVE WITH FLANGEABLE BODY**



**Performance**

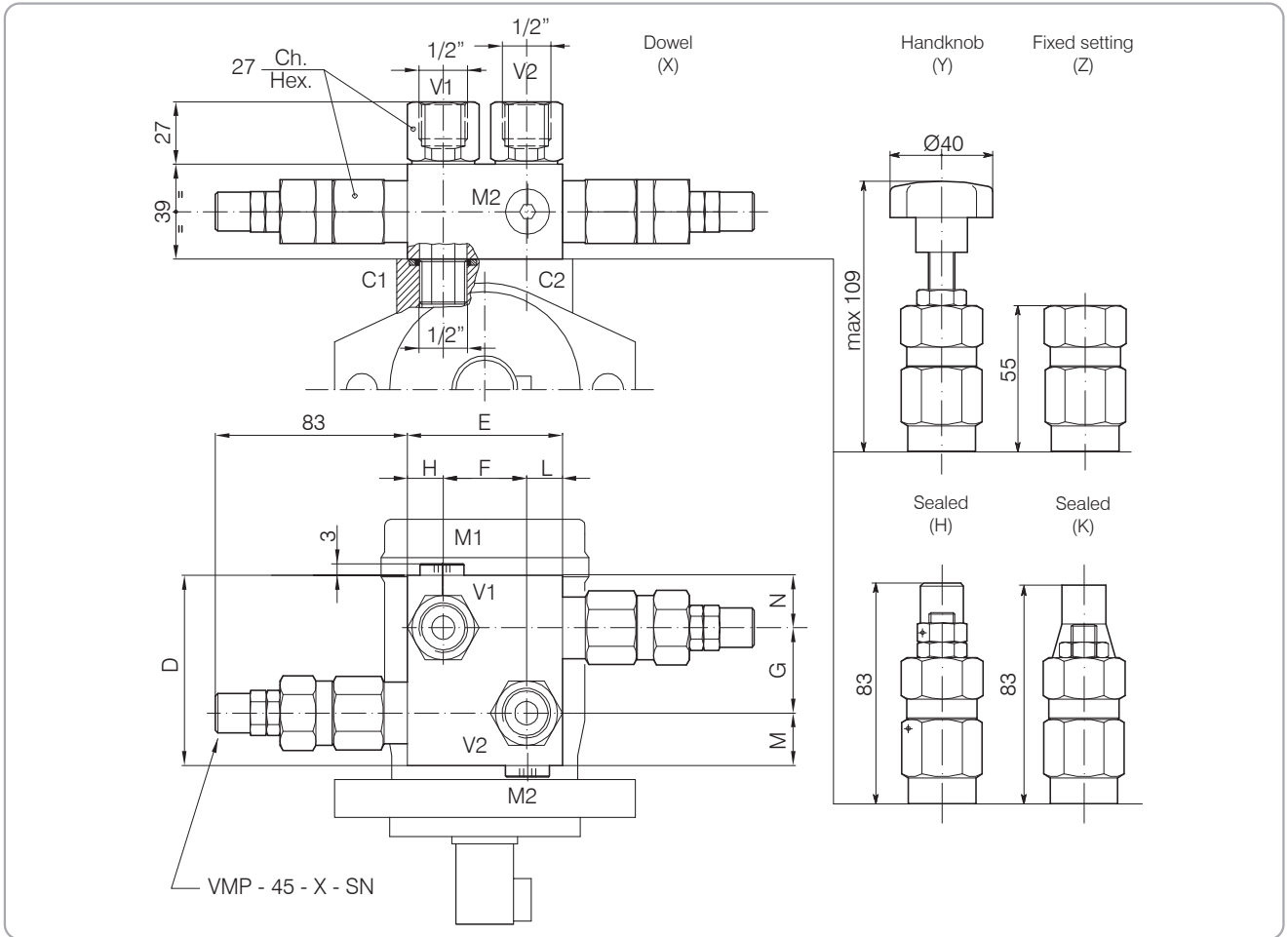
Rated size	DN 8
Min/Max flow-rate	1/45 l/min - 0.26/11.9 GPM
Max working pressure	350 bar - 5075 PSI
Max setting pressure	350 bar - 5075 PSI
Room temperature	-30°C + 50°C
Oil temperature	-30°C + 80°C
Recommended filtration	30 micron
Tightening torque	75 ÷ 85 Nm
Weight	1.454 Kg

**Performance Details**



**VDI-45-SN-FM...-12D**

Hydraulic valves and integrated components



**Dimensions**

Setting Range			D	E	F	G	H	L	M	N	Motor Type	
14	23	24	80	67	36	36	15.5	15.5	22	22	DANFOSS OMP-OMR	FMOMP
15	25	26	80	62	32	22	15	15	29	29	SANHYDRAULIK HPR/HPRC DANFOSS OMS	FMOMS

**Ordering Code**

7 . 1 4 . 0 . X . 0

Setting Range					
014		023		024	
015		025		026	
Setting range 5 ÷ 100 bar (blue spring)		Setting range 10 ÷ 210 bar (green spring)		Setting range 20 ÷ 350 bar (yellow spring)	
Std. bar setting (Q=5 l/1')	Pressure rise - turn of screw	Std. bar setting (Q=5 l/1')	Pressure rise - turn of screw	Std. bar setting (Q=5 l/1')	Pressure rise - turn of screw
80 bar	(--)	180 bar	(--)	220 bar	(--)

**Adjustment**

- X : Dowel
- Y : Handknob
- Z : Fixed setting
- H : Sealed
- K : Sealed