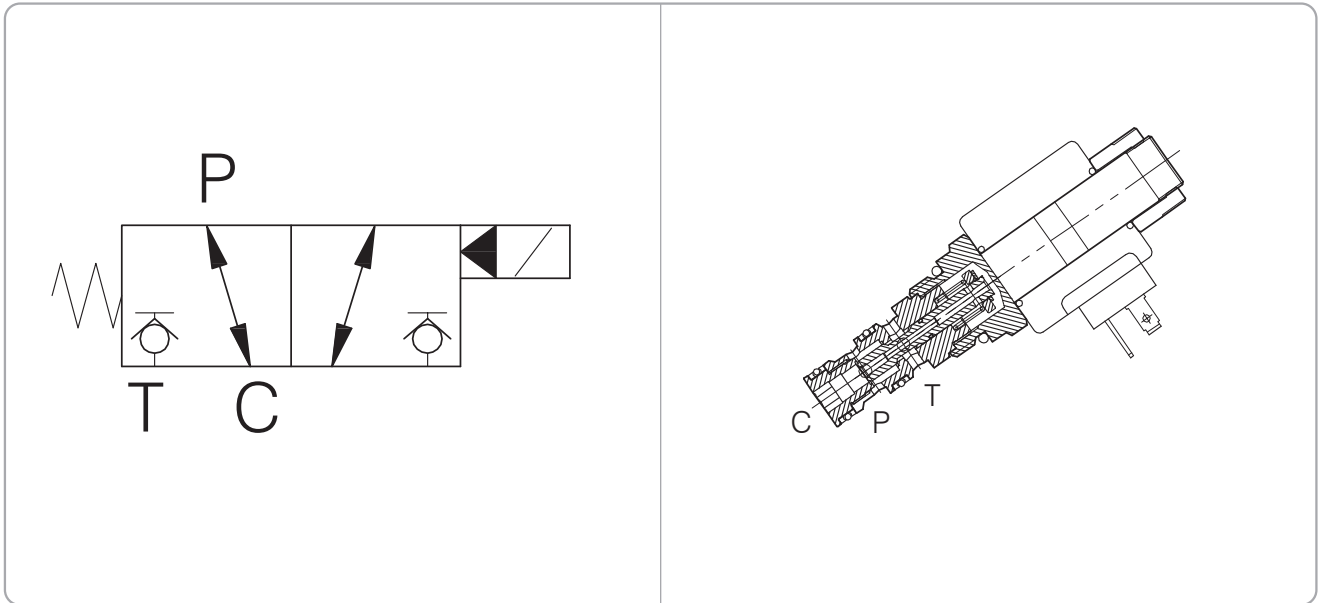


VEDT-3V-50-071N-78UNF

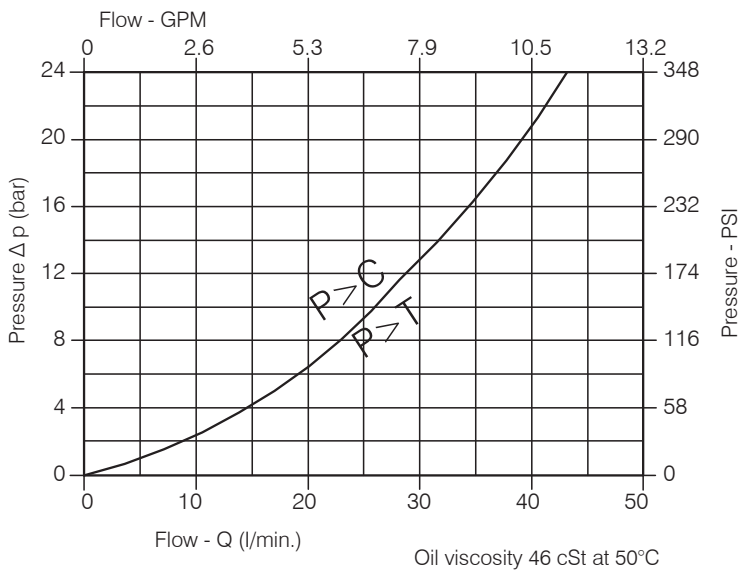
SOLENOID VALVE, POPPET 3-WAY DOUBLE LOCK, CARTRIDGE STYLE



Performance

Rated size	DN 6.5
Min/Max flow-rate	1/45 l/min - 0.26/11 GPM
Max pressure	300 bar - 4350 PSI
Min. operating voltage	90% of nominal tension
Room temperature	-30°C + 50°C
Oil temperature	-30°C + 80°C
Recommended filtration	25 micron
Tightening torque	40 Nm
Weight	0.220 Kg

Performance Details

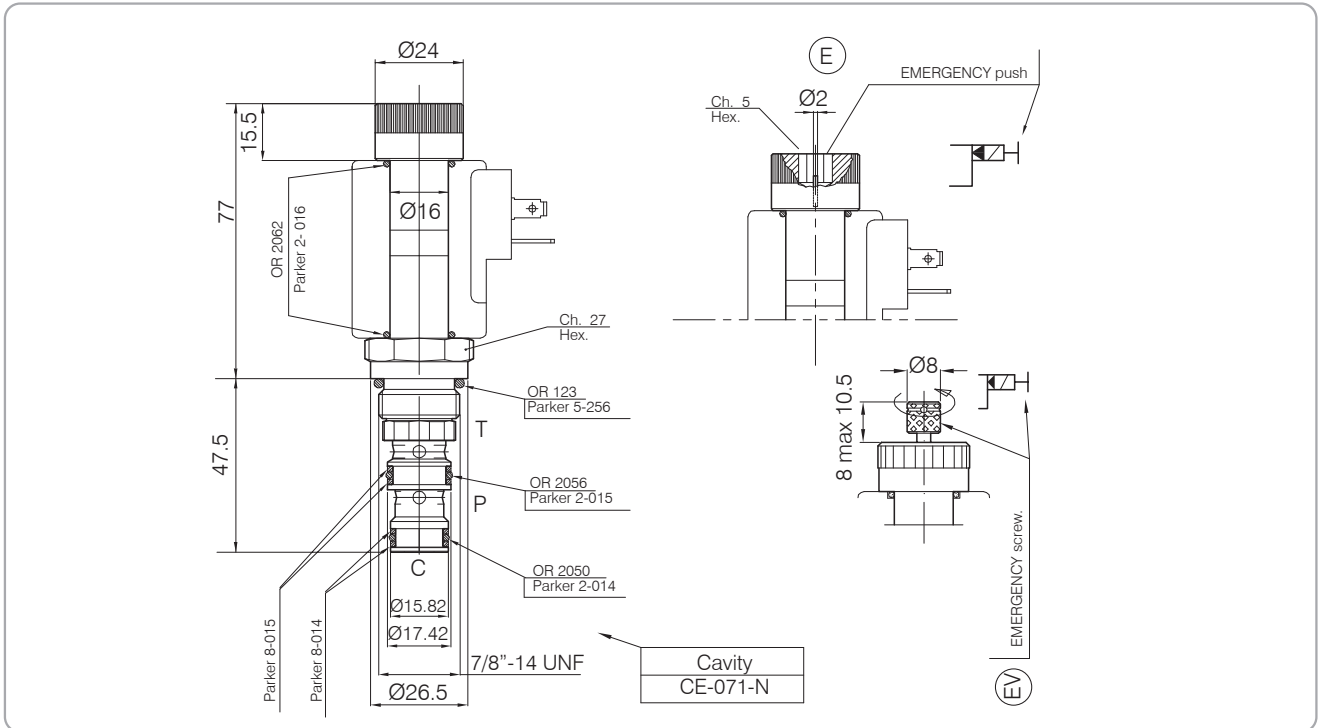


WARNING:

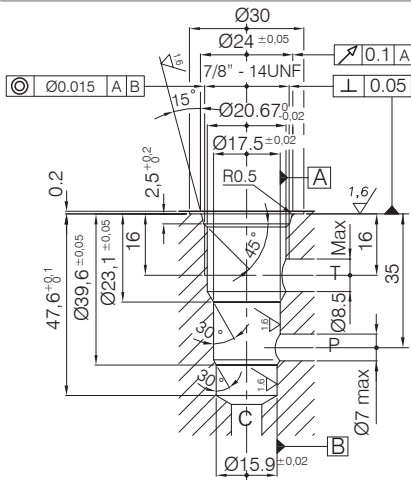
This cartridges are designed to work with D.C. power supply. To work with A.C. power supply you have to use a RAC solenoid, which works with rectified power supply, and a connector with rectifier. Coils: the power consumption at the starting for coils working in D.C. power supply is about 3.5 times higher than the normal operating power consumption.

VEDT-3V-50-071N-78UNF

Hydraulic valves and integrated components



Cavity CE.071.N



The valve seat should be perfectly tooled

Dimensions

Model Number	Cavity	Coil See page	Body See page
569	CE-071-N	38	48 - 49

Ordering Code

5 • 5 6 9 • E • 0 • 0

Model Number

569

Emergency screw

- O Standard
- E Emergency screw