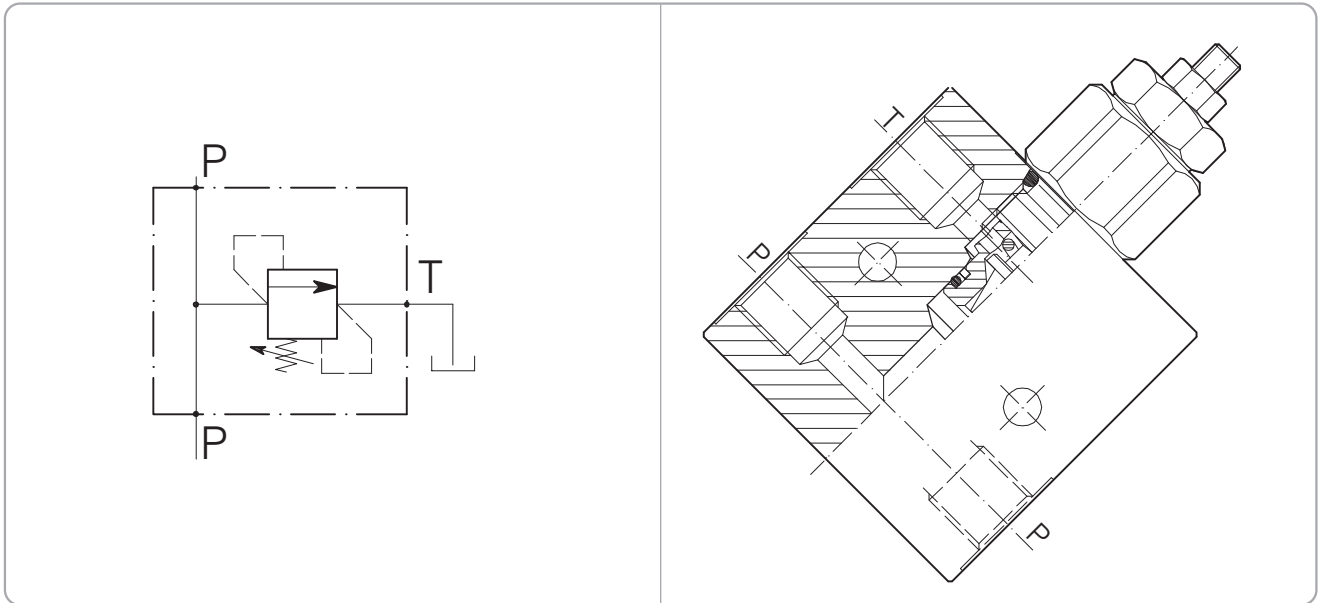


VMP-20-...-C-...-L-SN

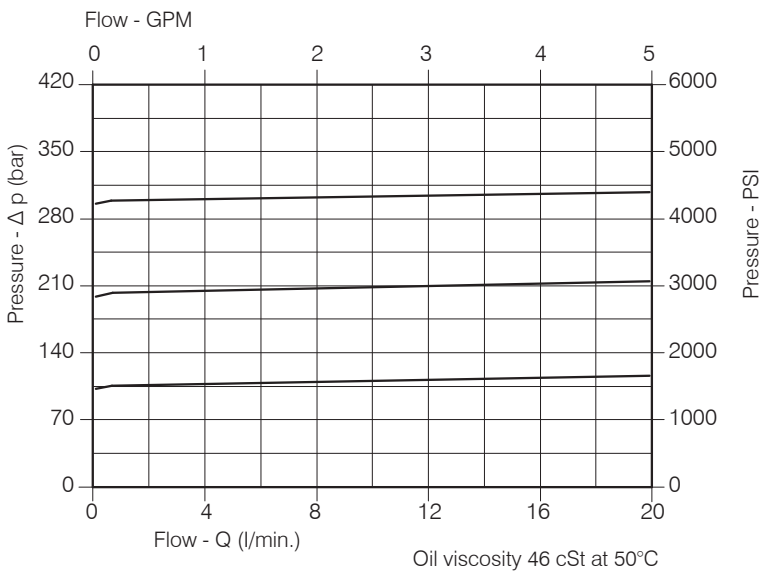
CARTRIDGE RELIEF, DIRECT ACTING POPPET TYPE VALVE WITH IN LINE BODY



Performance

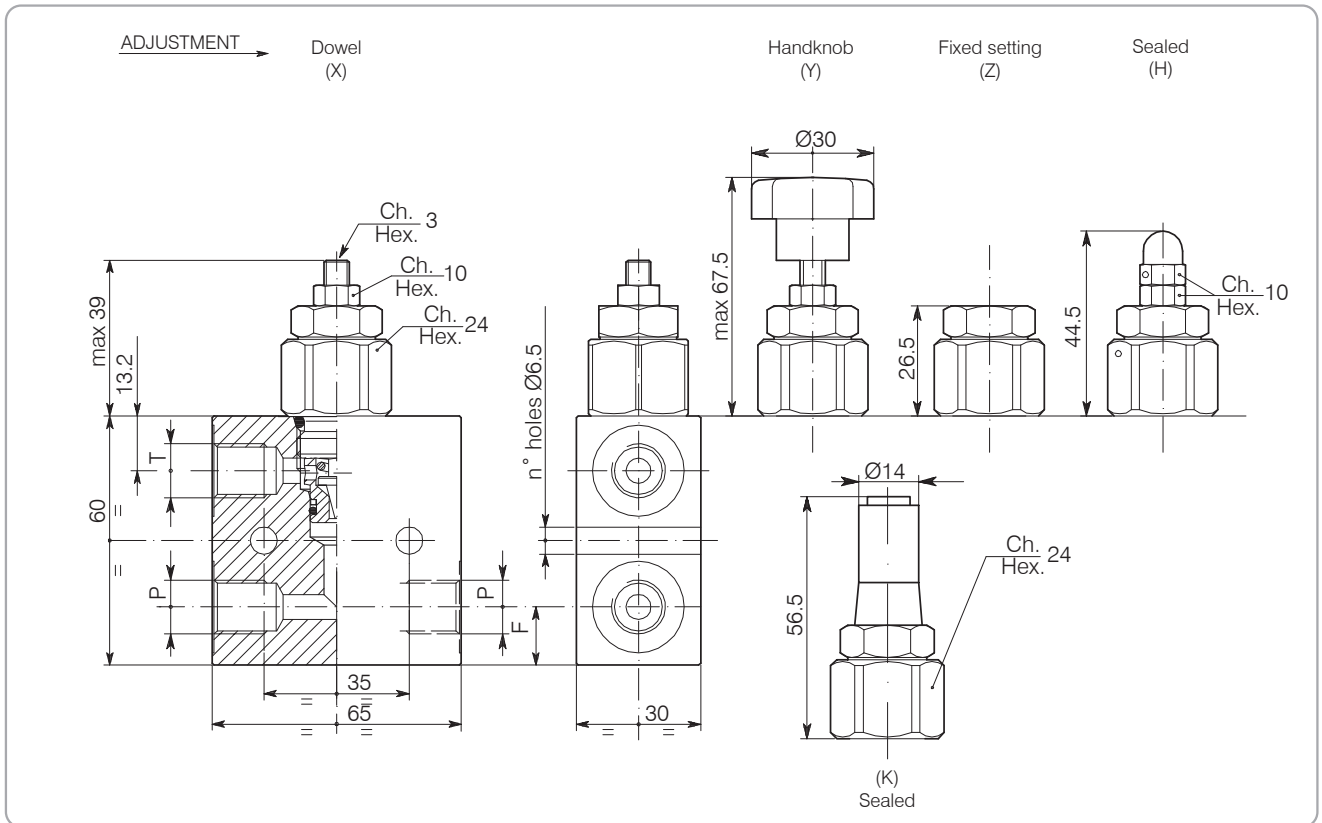
Rated size	DN 5
Min/Max flow-rate	20 l/min - 5.3 GPM
Max working pressure	350 bar - 5075 PSI
Max setting pressure	350 bar - 5075 PSI
Room temperature	-30°C + 50°C
Oil temperature	-30°C + 80°C
Recommended filtration	30 ÷ 50 micron
Weight 1/4" GAS	0.365 Kg
Weight 3/8" GAS	0.352 kg

Performance Details



VMP-20-...-C-...-L-SN

Hydraulic valves and integrated components



Dimensions

Setting Range			F	Port size P-T GAS (BSPP)
062	293	294	13	1/4"
063	295	296	14	3/8"

Ordering Code

0 0 2 • 0 6 2 • 0 • X • 0

Setting Range					
062		293		294	
063		295		296	
Setting range 5÷100 bar (blue spring)		Setting range 10÷210 bar (green spring)		Setting range 20÷350 bar (yellow spring)	
Std. bar setting (Q=5 l/1')	Pressure rise - turn of screw 70 bar	Std. bar setting (Q=5 l/1')	Pressure rise - turn of screw 140 bar	Std. bar setting (Q=5 l/1')	Pressure rise - turn of screw 280 bar

Adjustment

- X : Dowel
- Y : Handknob
- Z : Fixed setting
- H : Sealed
- K : Sealed