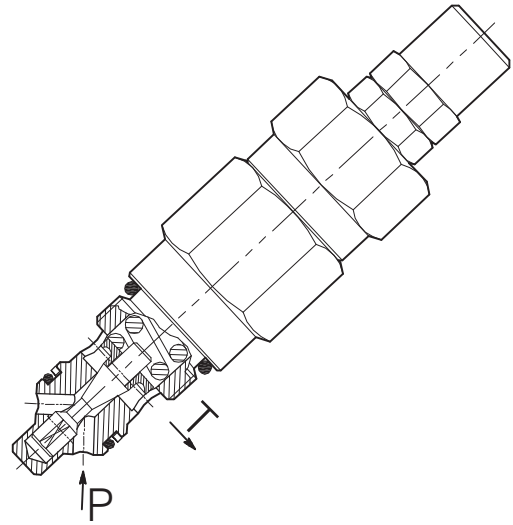
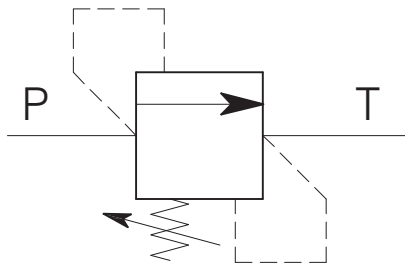


VMP-45-...-SN

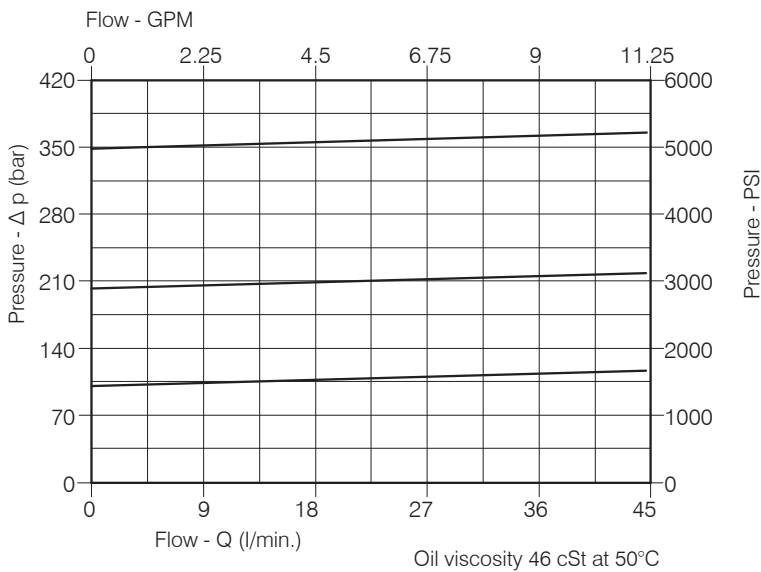
CARTRIDGE RELIEF, DIRECT ACTING POPPET TYPE VALVE



Performance

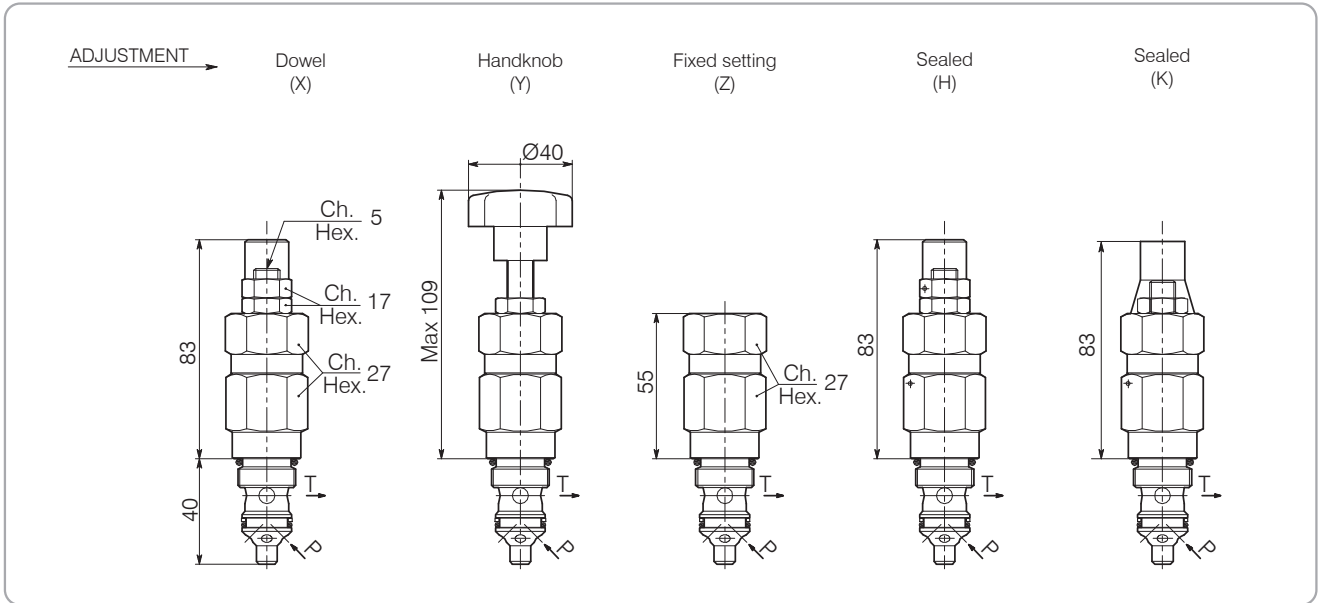
Rated size	DN 9
Min/Max flow-rate	45 l/min - 11.9 GPM
Max working pressure	350 bar - 5075 PSI
Max setting pressure	350 bar - 5075 PSI
Room temperature	-30°C + 50°C
Oil temperature	-30°C + 80°C
Recommended filtration	30÷50 micron
Tightening torque	83÷92 Nm
Weight	0.313 kg

Performance Details



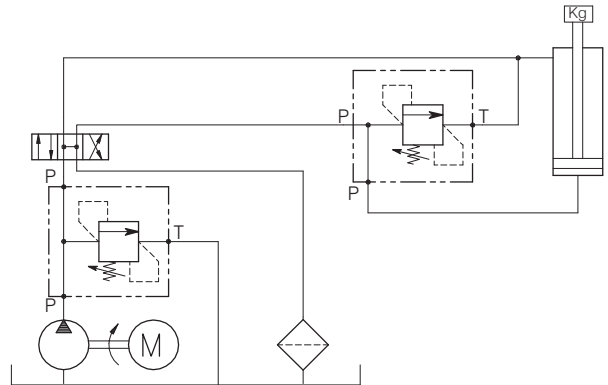
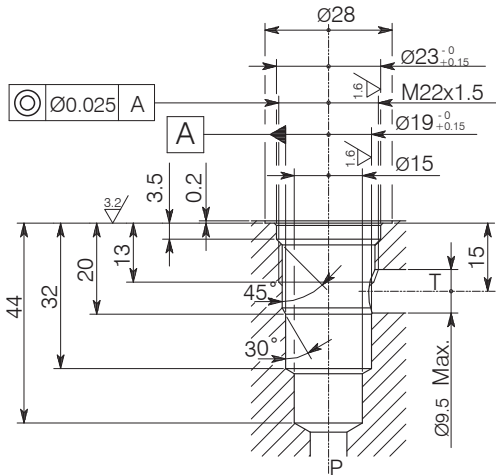
VMP-45-...-SN

Hydraulic valves and integrated components



Cavity CER.009.L/N

Typical Circuit Example



The valve seat should be perfectly tooled

Ordering Code

2 • 3 5 • 0 • X • 0

Setting Range					
35		268		269	
Setting range 5÷100 bar (blue spring)		Setting range 10÷210 bar (green spring)		Setting range 20÷350 bar (yellow spring)	
Std. bar setting (Q=5 l/1')	Pressure rise - turn of screw	Std. bar setting (Q=5 l/1')	Pressure rise - turn of screw	Std. bar setting (Q=5 l/1')	Pressure rise - turn of screw
80 bar	(-)	180 bar	(-)	320 bar	(-)

Adjustment

- X : Dowel
- Y : Handknob
- Z : Fixed setting
- H : Sealed
- K : Sealed