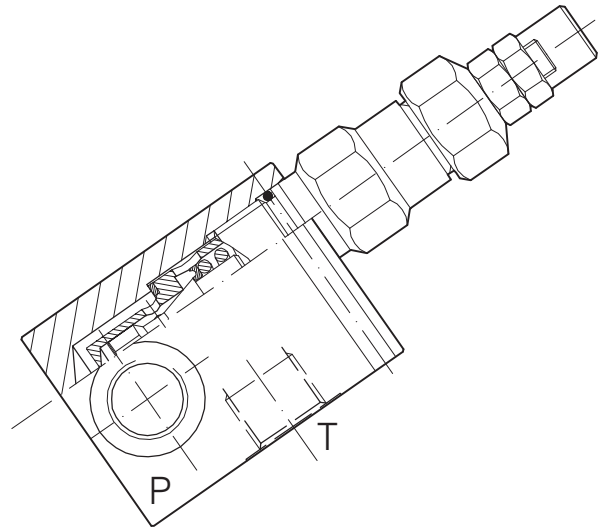
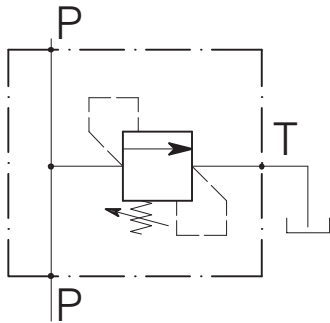


VMP-80-...-C-...-L

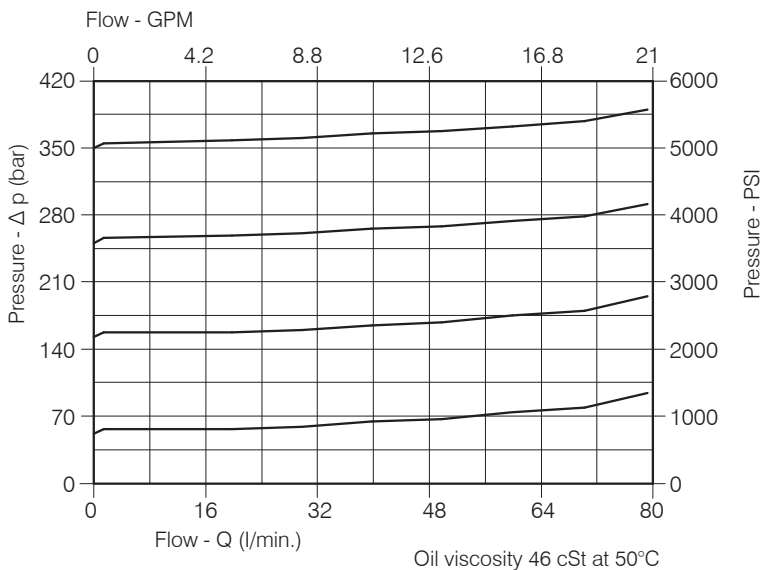
CARTRIDGE RELIEF, DIRECT ACTING POPPET TYPE VALVE WITH IN LINE BODY



Performance

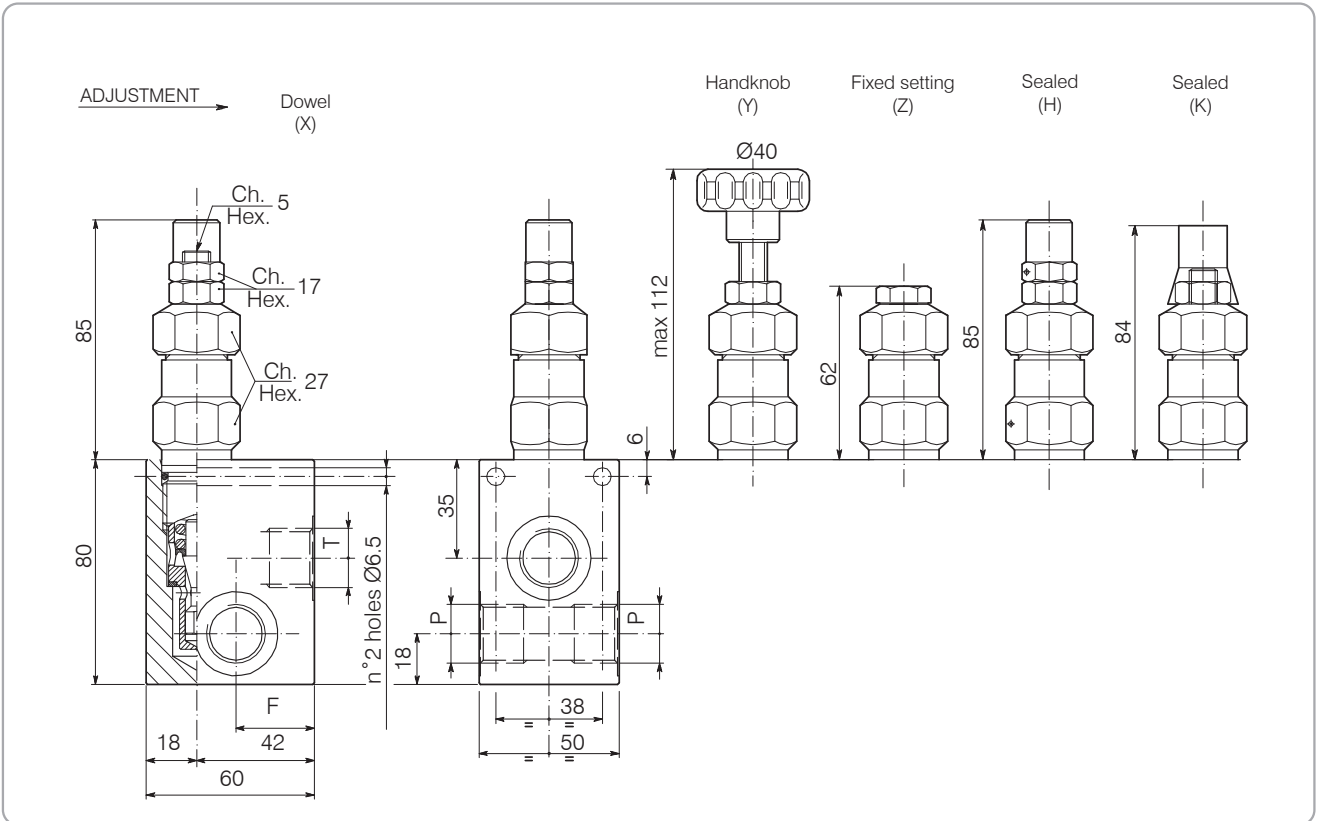
Rated size	DN 11
Min/Max flow-rate	80 l/min - 21 GPM
Max working pressure	350 bar - 5075 PSI
Max setting pressure	350 bar - 5075 PSI
Room temperature	-30°C + 50°C
Oil temperature	-30°C + 80°C
Recommended filtration	30 ÷ 50 micron
Weight 1/2" GAS	0.911 Kg
Weight 3/4" GAS	0.873 kg

Performance Details



VMP-80-...-C-...-L

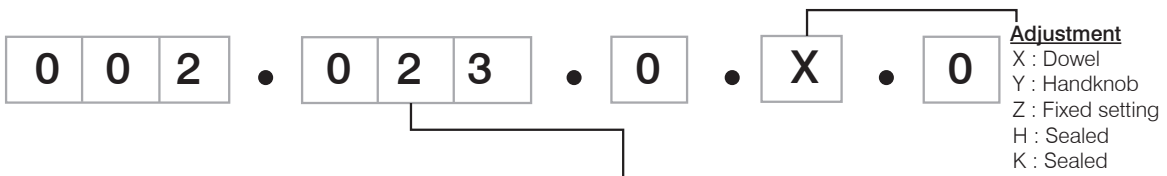
Hydraulic valves and integrated components



Dimensions

Setting Range					F	Port size P-T GAS (BSPP)
023	199	200	201	212	28	1/2"
024	208	209	210	211	28	3/4"

Ordering Code



Setting Range									
023		199		200		201		202	
024		208		209		210		211	
Setting range 5÷50 bar (blue spring)		Setting range 10÷100 bar (black spring)		Setting range 10÷150 bar (green spring)		Setting range 25÷250 bar (yellow spring)		Setting range 40÷350 bar (red spring)	
Std. bar setting (Q=5 l/1') 40 bar	Pressure rise - turn of screw (--)	Std. bar setting (Q=5 l/1') 80 bar	Pressure rise - turn of screw (--)	Std. bar setting (Q=5 l/1') 120 bar	Pressure rise - turn of screw (--)	Std. bar setting (Q=5 l/1') 210 bar	Pressure rise - turn of screw (--)	Std. bar setting (Q=5 l/1') 320 bar	Pressure rise - turn of screw (--)