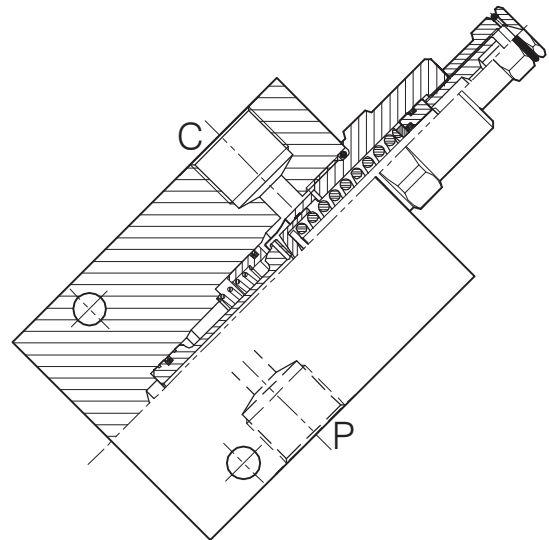
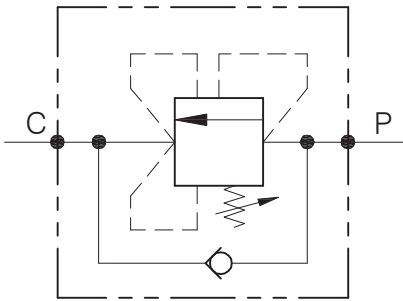


VSQ-D-C-...-CC-...

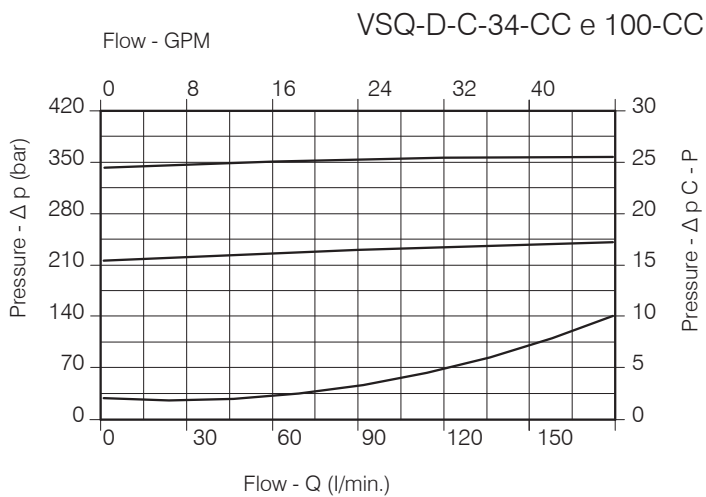
SEQUENCE VALVE, DIFFERENTIAL AREA PISTON TYPE VALVE WITH LINE BODY



Performance

Min/Max rated size	DN 12/14
Min/Max flow-rate	1/180 l/min - 0.26/48 GPM
Max working pressure	350 bar - 5075 PSI
Max setting pressure	350 bar - 5075 PSI
Room temperature	-30°C + 50°C
Oil temperature	-30°C + 80°C
Recommended filtration	30 micron
Weight 3/4" GAS	1.441 Kg
Weight 1" GAS	1.684 Kg

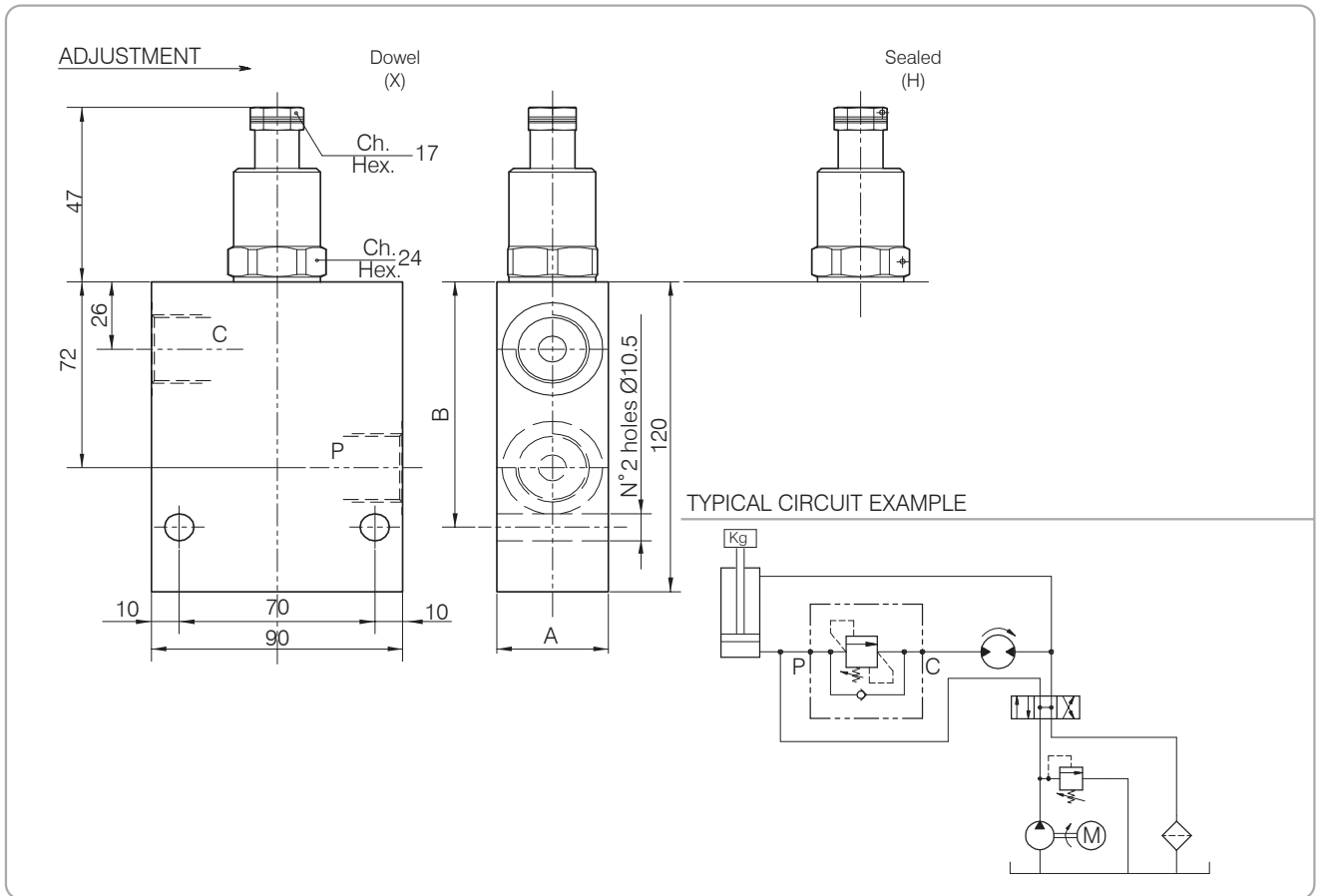
Performance Details



Oil viscosity 46 cSt at 50°C

VSQ-D-C-...-CC-...

Hydraulic valves and integrated components



Dimensions

Setting Range	A	B	Port size P-C GAS (BSPP)	Rated size DN	Max flow-rate l/min - GPM
696	40	95	3/4"	12	150-40
697	50	107	1"	14	180-48

Ordering Code

2 • 6 9 6 • 0 • X • 0

Setting Range	
696	
697	
Setting range 60÷350 bar (yellow spring)	
Std. bar setting (Q=5 l/1') 350 bar	Pressure rise - turn of screw (-)

Adjustment
 X : Dowel
 H : Sealed