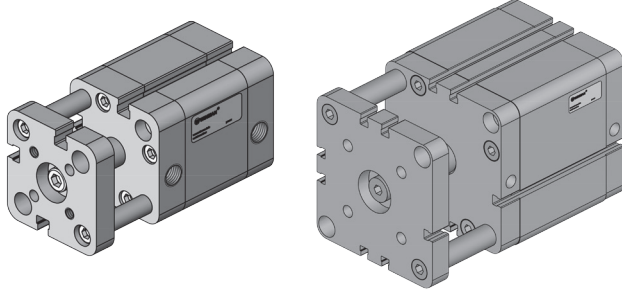


## WACC-G - Serisi Dönmez Kompakt Silindirler / WACC-G - Series Non-Rotating Compact Cylinders

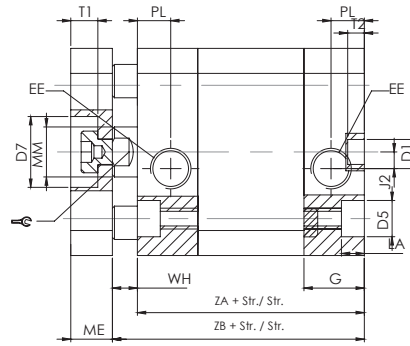
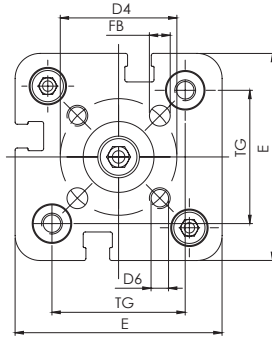


## Özellikler / Specification

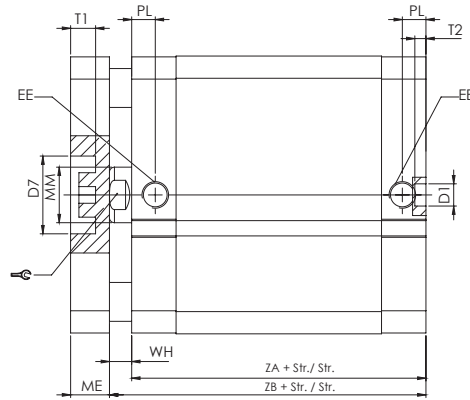
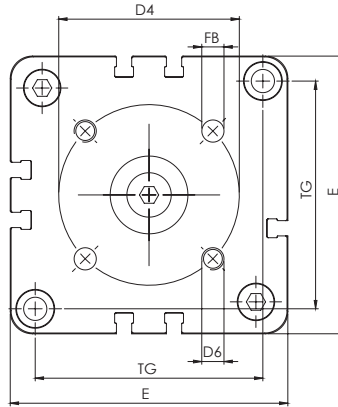
Piston Çapı / Bore Size	20	25	32	40	50	63	80	100
Çalışma Tipi / Acting Type	Çift Etkili / Double Acting							
Akışkan / Fluid	Hava (40µm filtrelenmiş) / Air (40µm filtered)							
Çalışma Basıncı / Op. Pressure	< 10 Bar							
Sıcaklık / Temperature	0 ~ +80 °C							
Manyetik / Magnetic	Standart / Standard							
Yastıklama Tipi / Cush. Type	Damper / Bumper							
Hız / Speed Range	< 500 mm/s							
Sensör / Sensör Switches	WT-40							

## Teknik Çizim / Technical Drawing

WACC-G.020/050



WACC-G.063/100



Ø mm	D4 ±0.1	D5 Ø	D6	D7 Ø h9	E	EE	FB Ø h8	G	J2	LA +0.2	ME	MM Ø h8	PL +0.2	h13	TG	WH +1.3	ZA ±0.3	ZB
20	17	-	M4	11	36	M5	4	13.0	-	-	8	10	8.0	8	22	4.5	38.0	50.5
25	22	-	M5	14	40	M5	5	14.5	-	-	8	10	8.0	8	-26	4.5	38.0	50.5
32	28	9.0	M5	17	50	G1/8"	5	15.0	4	5.5	10	12	8.0	10	32,5	6.0	44.5	60.5
40	33	9.0	M5	17	58	G1/8"	5	15.0	3	5.5	10	12	8.0	10	38	6.5	45.5	62.0
50	42	10.5	M6	22	67	G1/8"	6	15.0	-	6.5	12	16	8.0	13	46,5	7.5	45.5	65.5
63	50	13.5	M6	22	80	G1/8"	6	15.0	-	8.5	12	16	8.0	13	56,5	7.5	50.0	69.5
80	65	13.5	M8	28	100	G1/8"	8	16.0	-	8.5	14	20	8.5	17	72	8.0	56.0	78.0
100	80	13.5	M8	30	124	G1/4"	10	195	-	8.5	14	25	10.5	22	89	10.0	66.5	90.5

## Sipariş Kodu / Ordering Code

MODEL MODEL	ÇAP DIA.	STROK STROKE
WACC-G	032	0050
DÖNMEZ KOMPAKT Non-Rotating Compact	PİSTON ÇAP (mm) Piston Dia	STROK (mm) Stroke