

## CHECK VALVES

### WCVH0.S08 Valve Series



SAE08 Cartridge-420 bar  
Direct acting-Poppet Type

### Description

A screw-in; cartridge style, direct acting, poppet type check valve. Main use is as a blocking or load-holding device. The WCVH0.S08 allows flow passage from port 1 to 2: the cartridge has a fully guided check which is spring-biased closed until sufficient pressure is applied at port 1 to open to 2. The flow is blocked in the opposite direction (2 to 1).

### Symbols

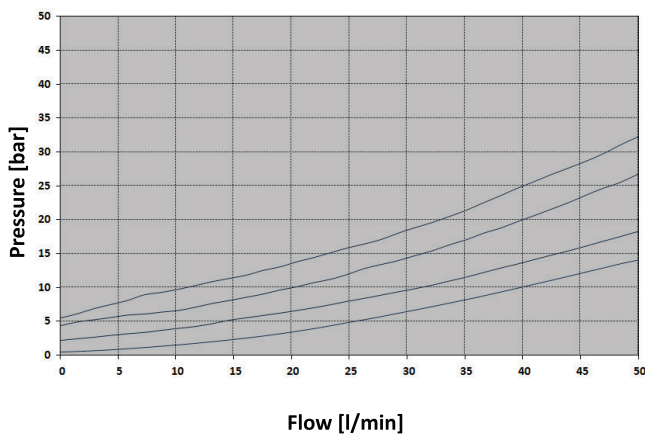


### Technical Features

All external surfaces are zinc plated and corrosion-proof.  
All valve parts are made of high strength steel.  
Compact size.  
Industry common cavity.

Note: Standard sealing NBR (BUNA-N)

### Performance Details



### Technical data

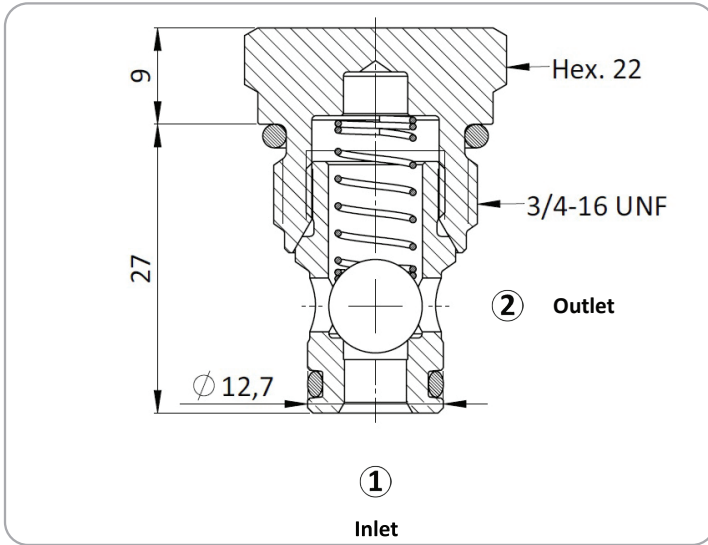
Maximum operating pressure	420 bar
Maximum flow	50 l/min
Internal leakage	0.10 <sup>3</sup> cc/min max @420 bar
Temperature	°C -30°C to 110°C
Fluids	Mineral-based or synthetics with
Lubricating properties at viscosities of	7.4 to 420 cSt
Orientation	no restrictions
Installation torque	40-45 Nm
Seal kit code	SK.030
Weight	0.060 kg

Note : The performance chart illustrates flow handling capacity for significant spring bias options.  
P/Q curves are recorded at TOil = 40°  
and 46 cSt

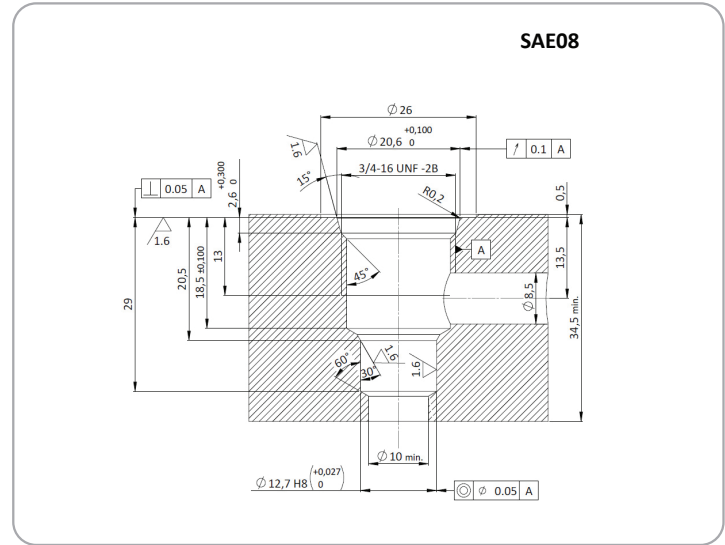
**CHECK VALVES**

**WCVH0.S08 Valve Series**

**Cross section**

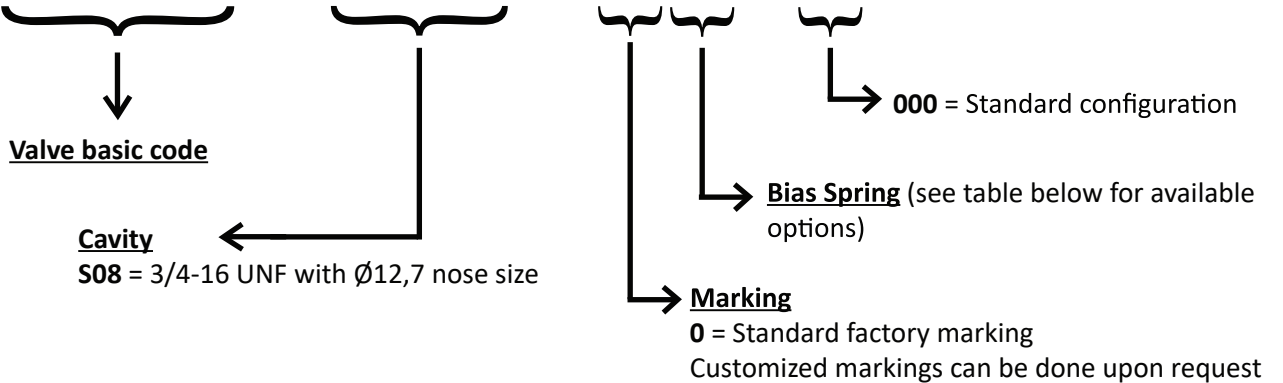


**Cavity Details**



**Ordering Code**

**W C V H 0 . S 0 8 . 0 \* . 0 0 0**



**Bais Spring Options**

Spring Model Code	Cracking pressure [bar]	
Y	0.5	Customized bias spring can be offered upon request.
M	2.0	
P	4.5	
U	6	

Specifications may change without notice.