

MODULAR REDUCING VALVE-50 SERIES



Technical Specification

Specification		6	10
Max. Working (Bar) pressure	Working pressure	315	
	Secondary pressure	To210	
	Port T	To150	
Max. Flow	(L/min)	50	
Mounting location		Any	
Working fluid		Mineral hydraulic oil; phosphate-ester hydraulic oil	
Fluid temp.	(°C)	-20~70	
Viscosity	(mm ² /s)	10~800	
Cleanliness		NAS 1638. Class 9, recommended filtration precision Min β ≥75.	

Ordering Code

WMPR - * * - * * - * * / * 50 *

Modular reducing valve

Specification
02 : DN6
03 : DN10

P : P pipeline reducing
A : A pipeline reducing
B : B pipeline reducing (only for Dn10)

25 upto 25 Bar
75 upto 75 Bar
150 upto 150 Bar
210 upto 210 Bar

Remark

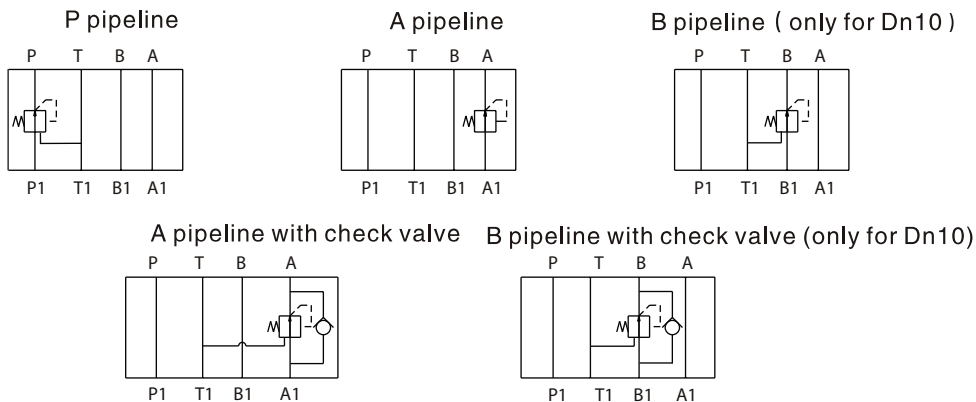
Serial number

Seal material
Omit : NBR
V : FPM

1 plastic handle
2 steel handle

Omit none
D check valve

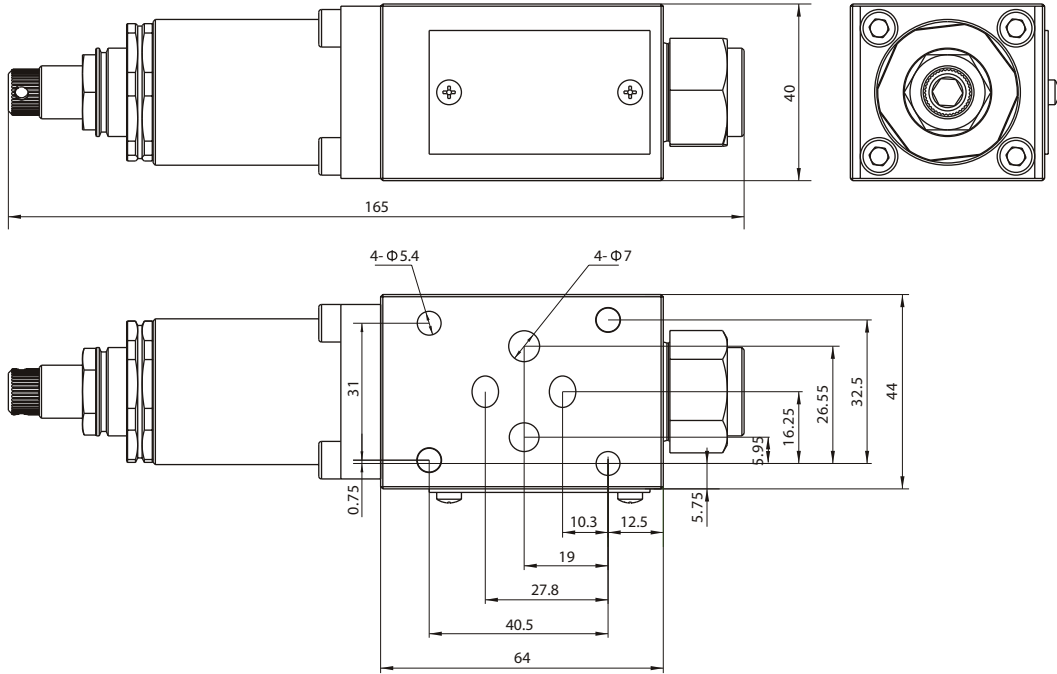
Hydraulic symbol



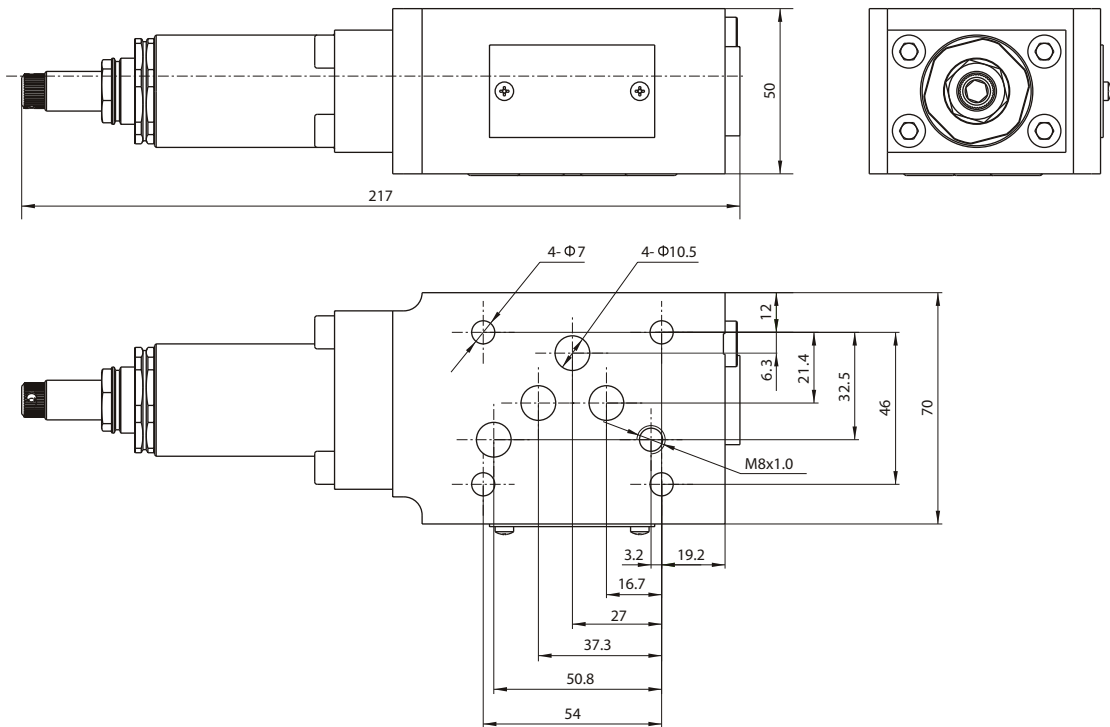
MODULAR REDUCING VALVE-50 SERIES

Dimension

WMPR-02P, A



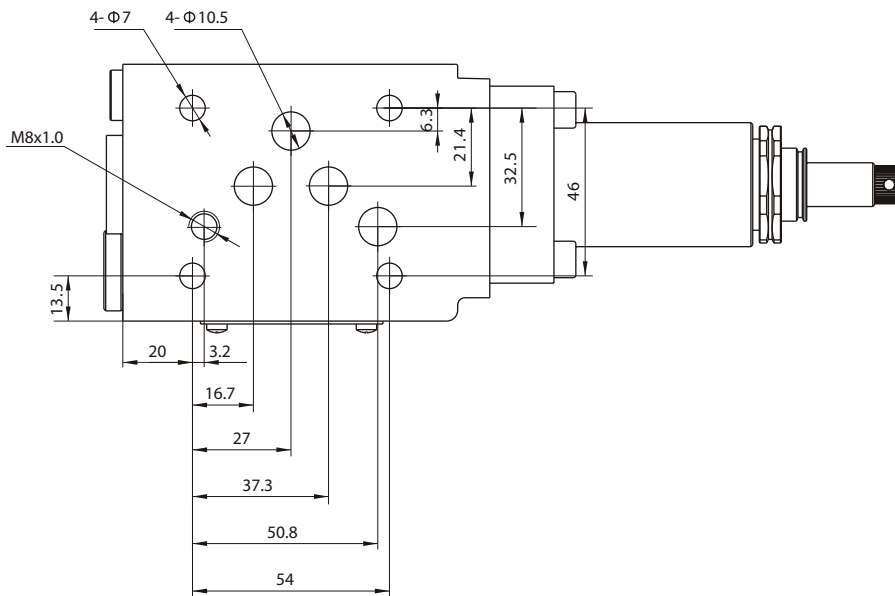
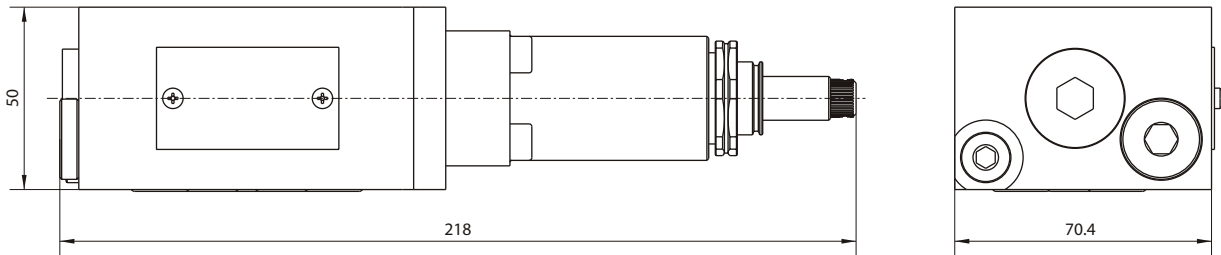
WMPR-03P, A



MODULAR REDUCING VALVE-50 SERIES

Dimension

WMPR-03B



Note: The surface, connecting with the valve, should be Ra0.8 roughness, and 0.01/100mm flatness.