

MODULAR REDUCING VALVE-70 SERIES



Technical Specification

Specification	02	03
Maximum working pressure (Bar)	210	
Max. Flow (L/min)	35	70
Working fluid	Mineral oil; phosphate-ester	
Fluid temp. (°C)	-20~70	
Viscosity (mm ² /s)	12~380	
Working press (Bar)	70	140 210
Cleanliness	The maximum allowable cleanliness of the oil should be according to 9th degree of Standard NAS 1638. It is suggested that the minimum filter rating should be $\beta_{10} \geq 75$.	

Model Description

WMPR - * * - * - * / * 70 *

Modular restrivtive valve

Specification
02 : DN6
03 : DN10

P : P Pipeline relief
A : A Pipeline relief
B : B Pipeline relief

Working pressure
70 : to 70 Bar
140 : to 140 Bar
210 : to 210 Bar

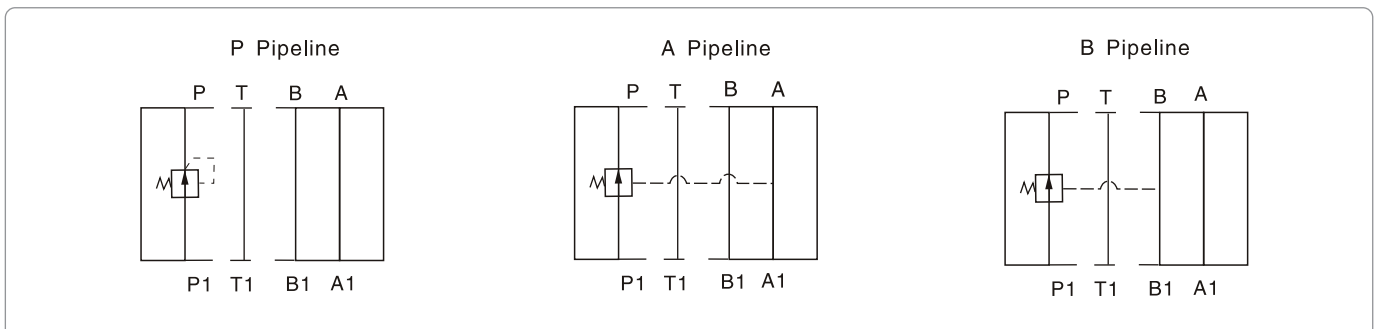
Remarks

Serial number

Seal material
Omit : NBR Seals
V : FPM Seals

8 Handle

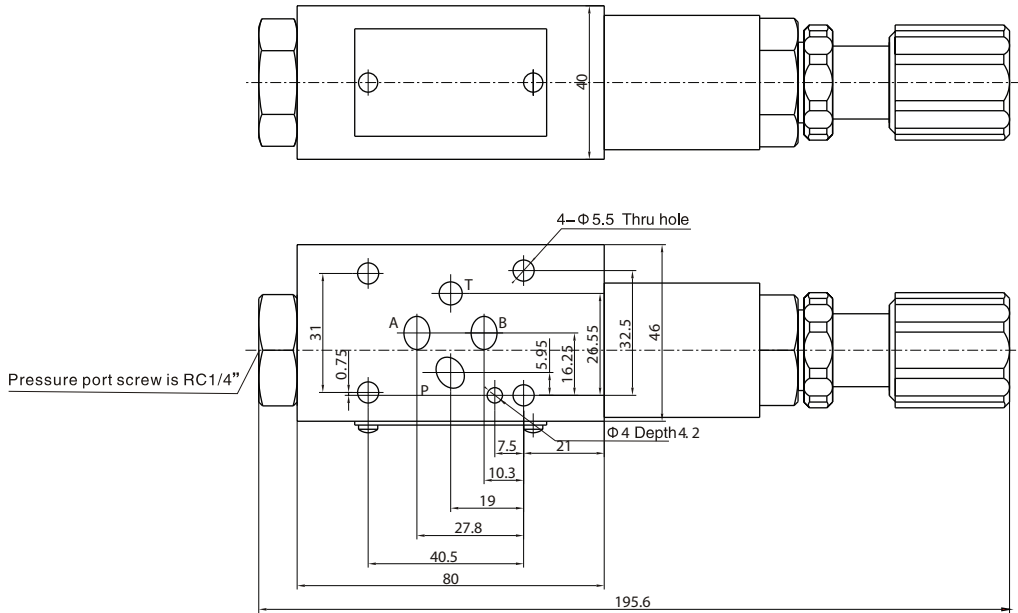
Code Symbol



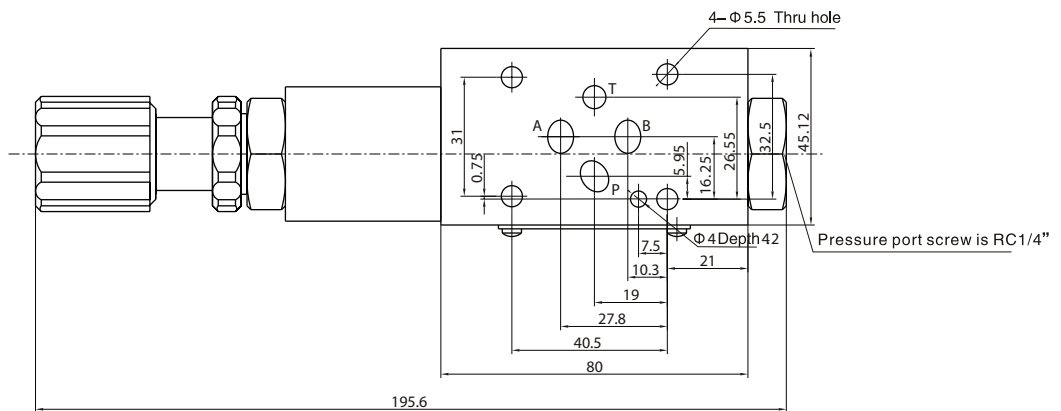
MODULAR REDUCING VALVE-70 SERIES

02 External Dimensions

WMPR-02-A, P..



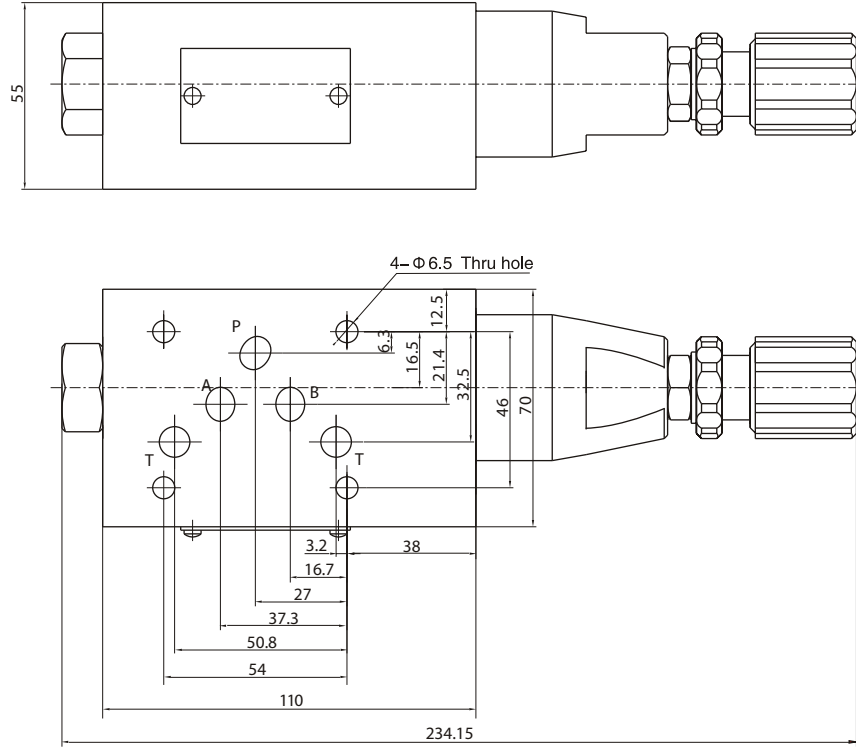
WMPR-02-B...



MODULAR REDUCING VALVE-70 SERIES

03 External Dimensions

WMPR-03-A, P...



WMPR-03-B

