

Quick Connecting Tube Fittings

WPA-G SERIES



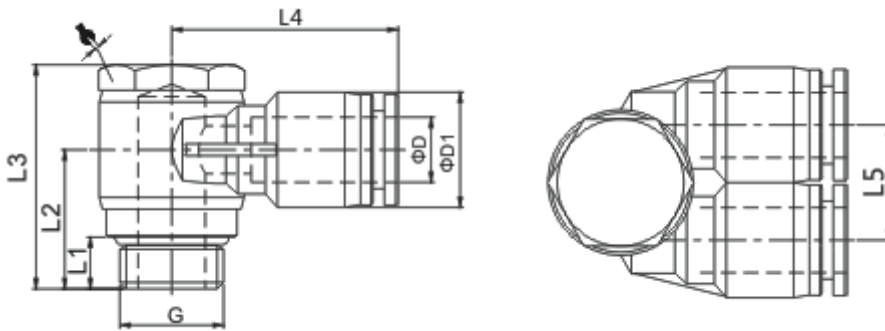
Product features

- One-Touch tube fittings are used in pneumatics piping.
- The tube fittings come in wide variety of models to meet all your needs in pneumatics piping.
- Even after installation, in direction of the tube can be changed freely.
- Nickel-plated metal body ensures Anti-Corrosion and Anti-Contamination.
- All R and NPT threads are Pre-Costed sealant.
- All cylindrical threads are standard with O-Ring seals.

Speciality

Fluid	Air, Vacuum
Operating Pressure	0-1.0MPa (150 psi)
Negative Pressure	-100KPa(-29.5 in-Hg)
Max Pressure	1.5MPa
Operating Temperature	0-60°C(32-140°F)
Applicable Tube	Polyurethane and Nylon

Dimension



MODEL	φD	G	L1	L2	L3	L4	L5	φD1	
WPA04-G01	4	G1/8	5.5	15.2	25.2	24	13	13	12
WPA06-G01	6	G1/8	5.5	15.2	25.2	24	13	13	12
WPA08-G02	8	G1/4	6.5	17.2	28.2	28.6	14.5	14.5	16
WPA10-G03	10	G3/8	7.5	21.2	35	34	18.5	19	19
WPA12-G04	12	G1/2	9	25.5	41.4	37.5	21	21.5	24