

Quick Connecting Tube Fittings

WPAT-G(2) SERIES



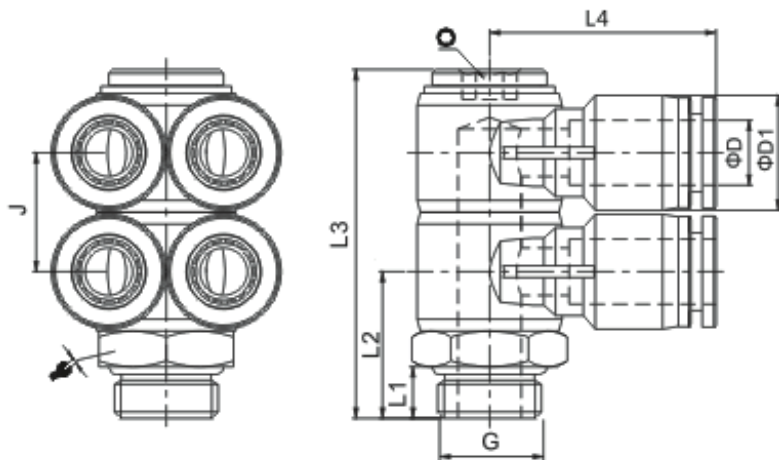
Product features

- One-Touch tube fittings are used in pneumatics piping.
- The tube fittings come in wide variety of models to meet all your needs in pneumatics piping.
- Even after installation, in direction of the tube can be changed freely.
- Nickel-plated metal body ensures Anti-Corrosion and Anti-Contamination.
- All R and NPT threads are Pre-Costed sealant.
- All cylindrical threads are standard with O-Ring seals.

Speciality

Fluid	Air, Vacuum
Operating Pressure	0-1.0MPa (150 psi)
Negative Pressure	-100KPa(-29.5 in-Hg)
Max Pressure	1.5MPa
Operating Temperature	0-60°C(32-140°F)
Applicable Tube	Polyurethane and Nylon

Dimension



MODEL	φD	G	L1	L2	L3	L4	J	φD1		
WPAT04-G01(2)	4	G1/8	5.5	16.5	40	24	14	13	14	5
WPAT04-G02(2)	4	G1/4	6.5	18	41.5	24	14	13	16	5
WPAT04-G03(2)	4	G3/8	7.5	19	42.5	24	14	13	20	5
WPAT06-G01(2)	6	G1/8	5.5	16.5	40	24	14	13	14	5
WPAT06-G02(2)	6	G1/4	6.5	18	41.5	24	14	13	16	5
WPAT06-G03(2)	6	G3/8	7.5	19	42.5	24	14	13	20	5
WPAT08-G01(2)	8	G1/8	5.5	18	43.5	28.6	15	14.5	17	6
WPAT08-G02(2)	8	G1/4	6.5	18.5	44	28.6	15	14.5	17	6
WPAT08-G03(2)	8	G3/8	7.5	19.5	45	28.6	15	14.5	20	6
WPAT08-G04(2)	8	G1/2	9	21.5	47	28.6	15	14.5	24	-
WPAT10-G02(2)	10	G1/4	7.5	25	56.5	34	19	19	21	-
WPAT10-G03(2)	10	G3/8	7.5	25	56.5	34	19	19	21	-
WPAT10-G04(2)	10	G1/2	9	24.5	56	34	19	19	24	-
WPAT12-G02(2)	12	G1/4	7.5	28.5	64.5	37.5	22	21.5	26	-
WPAT12-G03(2)	12	G3/8	7.5	28.5	64.5	37.5	22	21.5	26	-
WPAT12-G04(2)	12	G1/2	9	30	66	37.5	22	21.5	26	-