

Quick Connectiong Tube Fittings

WPKD-G SERIES



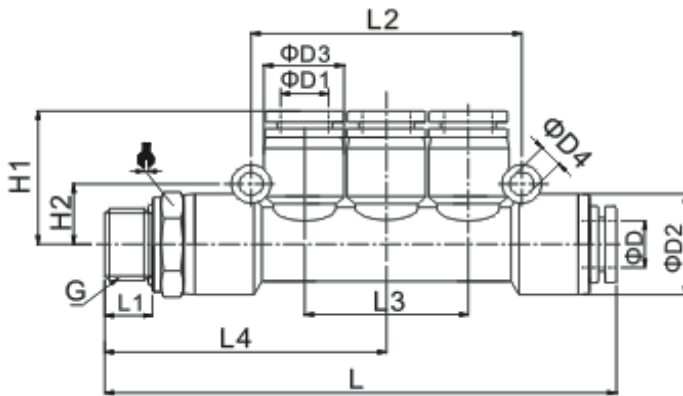
Product features

One-Touch tube fittings are used in pneumatic piping.
 The tube fittings come in wide variety of models to meet all your needs in pneumatics piping.
 Even after installation, in direction of the tube can be changed freely.
 Nickel-plated metal body ensures Anti-Corrosion and Anti-Contamination.
 All R and NPT threads are Pre-Costed sealant.
 All cylindrical threads are standard with O-Ring seals.

Speciality

Fluid	Air, Vacuum
Operating Pressure	0-1.0MPa (150 psi)
Negative Pressure	-100KPa(-29.5 in-Hg)
Max Pressure	1.5MPa
Operating Temperature	0-60°C(32-140°F)
Applicable Tube	Polyurethane and Nylon

Dimensions



MODEL	ΦD	G	ΦD1	ΦD2	ΦD3	ΦD4	H1	H2	L1	L2	L3	L4	
WPKD04-G01	4	G1/8	4	14.5	13	3.2	19	9	68	5.5	42	26	14
WPKD04-G02	4	G1/4	4	14.5	13	3.2	19	9	70	7.5	42	26	17
WPKD06-G01	6	G1/8	6	14.5	13	3.2	20.5	9	68	5.5	42	26	14
WPKD06-G02	6	G1/4	6	14.5	13	3.2	20.5	9	70	7.5	42	26	17
WPKD06-G03	6	G3/8	6	14.5	13	3.2	20.5	9	70.5	7.5	42	26	20
WPKD06-G04	6	G1/2	6	14.5	13	3.2	20.5	9	73	10	42	26	24
WPKD08-G01	8	G1/8	8	18.4	14.5	3.2	24	11	87	5.5	48	29	14
WPKD08-G02	8	G1/4	8	18.4	14.5	3.2	24	11	89	7.5	48	29	17
WPKD08-G03	8	G3/8	8	18.4	14.5	3.2	24	11	89.5	7.5	48	29	20
WPKD08-G04	8	G1/2	8	18.4	14.5	3.2	24	11	92.5	10	48	29	24
WPKD10-G01	10	G1/8	10	18.4	18.4	4.2	27.5	12	95.5	5.5	60.8	37	17
WPKD10-G02	10	G1/4	10	18.4	18.4	4.2	27.5	12	98	7.5	60.8	37	17
WPKD10-G03	10	G3/8	10	18.4	18.4	4.2	27.5	12	98.5	7.5	60.8	37	20
WPKD10-G04	10	G1/2	10	18.4	18.4	4.2	27.5	12	101.5	10	60.8	37	24