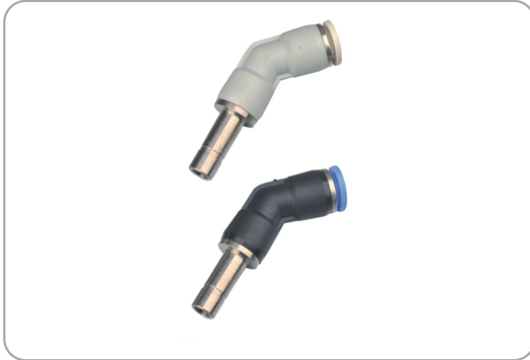


## Quick Connecting Tube Fittings

### WPLJ45 SERIES



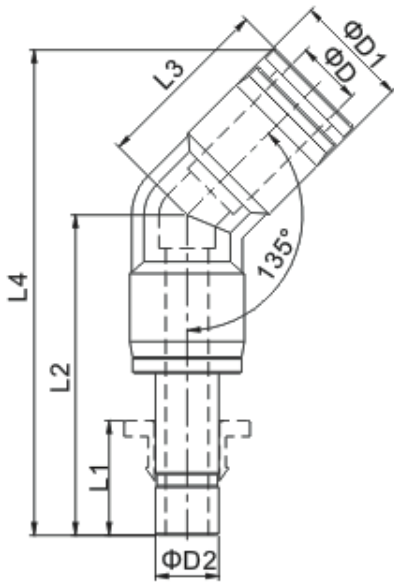
#### Product features

One-Touch tube fittings are used in pneumatics piping.  
 The tube fittings come in wide variety of models to meet all your needs in pneumatics piping.  
 Even after installation, in direction of the tube can be changed freely.  
 Nickel-plated metal body ensures Anti-Corrosion and Anti-Contamination.  
 All R and NPT threads are Pre-Casted sealant.  
 All cylindrical threads are standard with O-Ring seals.

#### Speciality

Fluid	Air, Vacuum
Operating Pressure	0-1.0MPa (150 psi)
Negative Pressure	-100KPa(-29.5 in-Hg)
Max Pressure	1.5MPa
Operating Temperature	0-60°C(32-140°F)
Applicable Tube	Polyurethane and Nylon

#### Dimension



MODEL	φD	φD2	L1	L2	L3	L4	φD1
WPLJ45 04	4	4	12.5	35	19	52	11.3
WPLJ45 06	6	6	13	35.5	19.2	53.5	13.3
WPLJ45 08	8	8	14	40.5	22.5	61	14.8
WPLJ45 10	10	10	18	48.5	27.8	75	18.7
WPLJ45 12	12	12	19	52	29.5	80	21.3
WPLJ45 06-04	4	6	13	35	19	52	11.3
WPLJ45 08-06	6	8	14	37	19.2	55	13.3
WPLJ45 10-08	8	10	18	44.5	22.5	65	14.8
WPLJ45 12-10	10	12	19	50	27.8	76.5	18.7