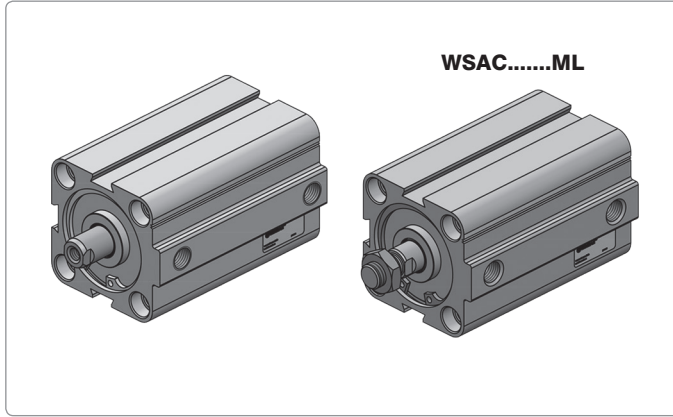


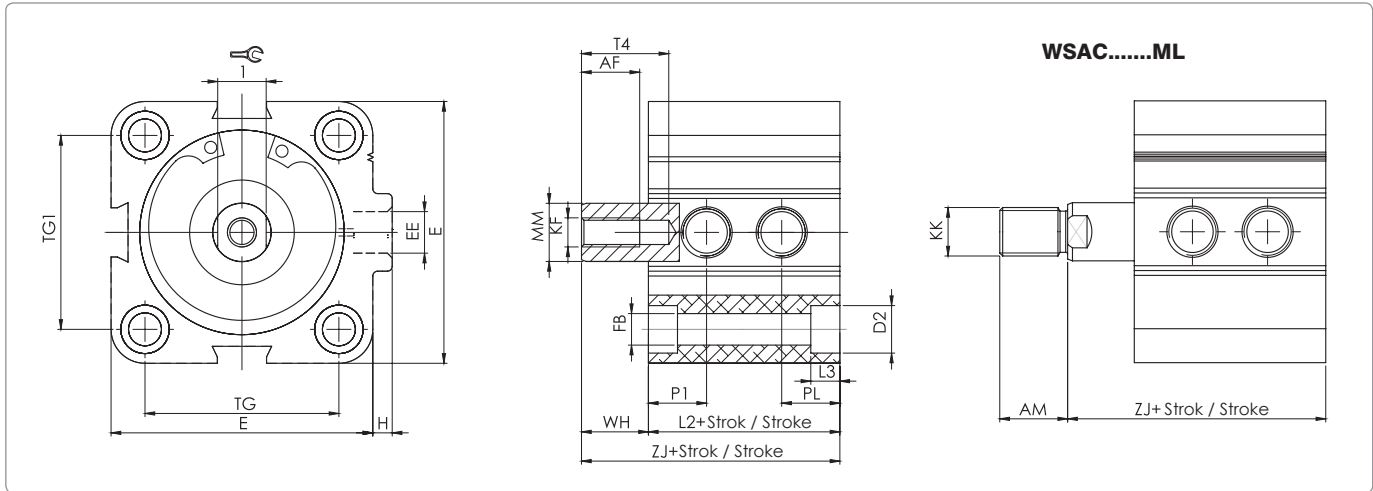
WSAC - Serisi Short Strok Silindirler / WSAC - Series Short Stroke Cylinders



Özellikler / Specification

Piston Çapı / Bore Size	16	20	25	32	40	50	63	80	100
Çalışma Tipi / Acting Type	Çift Etikli / Double Acting								
Akışkan / Fluid	Hava (40µm filtrelenmiş) / Air (40µm filtered)								
Çalışma Basıncı / Op. Pressure	< 10 Bar								
Sıcaklık / Temperature	0 ~ +80 °C								
Manyetik / Magnetic	Opsiyonel / Optional								
Yastıklama Tipi / Cush. Type	Damper / Bumper								
Hız / Speed Range	< 500 mm/s								
Sensör / Sensör Switches	WT-47								

Teknik Çizim / Technical Drawing



Ø mm	AF min.	AM -0.5	D2 Ø Fg	E maks.	EE	FB Ø	H	KF	WH	KK	L2 +0.2	L3	MM Ø	P1	PL	T4	TG ±0.1	TG1 ±0.1	ZJ ±0.8	1	STANDART BOY
16	8	12	6.5	28	M5	3.7	3.0	M4X0.7	3.5	M6X1.0	30.5	3.5	8	8.5	8.5	11	20	20	34.0	6	10 - 20 - 25 30 - 40 - 50
20	10	12	7	32	M5	5	2.0	M5X0.8	4.5	M8X1.25	32.0	6	10	9.0	8.0	16	22	22	36.0	8	
25	10	12	7	40	G1/8"	5	3.0	M5X0.8	4.5	M8X1.25	36.0	6	10	11.0	11.0	16	28	26	40.0	8	
32	12	14	10	45	G1/8"	5	3.5	M6X1.0	5.5	M10X1.25	39.5	6	12	11.5	11.5	19	34	34	45.0	10	
40	12	14	10	54	G1/8"	6.8	4.0	M6X1.0	5.8	M10X1.25	39.5	6	12	12.0	12.0	19	40	40	45.8	10	
50	16	16	10	65	G1/8"	6.8	6.0	M8X1.25	6.0	M12X1.25	39.5	7	16	12.0	12.0	22	50	50	45.5	13	
63	16	16	14	79	G1/8"	8.5	6.0	M8X1.25	6.0	M12X1.25	46.0	9	16	14.5	12.5	27	60	60	52.0	13	
80	19	22	18	98	G1/4"	10.3	6.0	M10X1.5	7.0	M16X1.5	52.0	9	20	16.0	16.0	27	77	77	59.0	17	
100	21	28	18	118	G1/4"	10.3	6.0	M12X1.75	7.0	M20X1.5	60.0	11	25	17.0	17.0	32	94	94	67.0	22	

Sensörler / Sensors

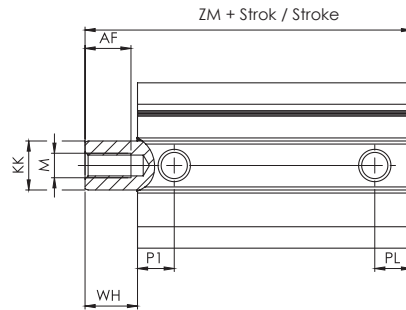
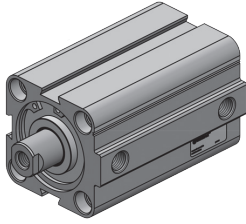
Sipariş Kodu / Ordering Code

MODEL	OPSİYON OPTIONS	MANYETİK MAGNETIC	ÇAP DIA.	STROK STROKE	STROK STROKE	MİL MALZEMESİ ROD MATERIAL	MİL UZUNLUĞU ROD LENGHT	DIŞ TİPİ SCREW TYPE	DIŞ ÖLÇÜSÜ SCREW SIZE	DIŞ UZUNLUĞU SCREW LENGHT
WSAC	D	M	032	0050	0050	SS	L25	F	ZM.8.H1.0	E15

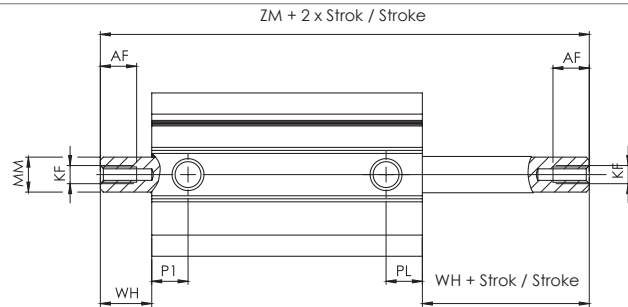
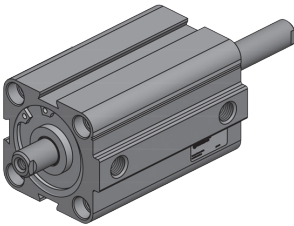
BOŞ : STANDART T : TANDEM PT : POZİSYONER D : ÇİFT MİLLİ J : STROK AYARLI FS : ÖNDEN YAYLI (50mm ye Kadar) RS : ARKADAN YAYLI (50mm ye Kadar) V : SICAĞA DAYANIKLI 150° Sıcaklığa Kadar LR : YAĞDA ÇALIŞABİLEN - 6 Bar Basınçlı Yağda	- Blank Standart - Tandem - Positioner - Through Rod - Stroke Adjustable - Front Spring (Up to 50mm) - Rear Spring (Up to 50mm) - Heat Resistance (Up to 150°C) - Hydropneumatic (6 bar oil pressure)	BOŞ :MANYETİKSİZ Blank :Without Magnet M :MANYETİK M :With Magnet	PİSTON ÇAP (mm) Piston Dia	STROK (mm) Stroke	STROK (mm) Stroke	SS :PASLANMAZ Inox	LX (mm) -	F :Dişi Female	Zx :ÇAP Dia	Ex (mm)
					SADECE POZİSYONER İÇİN Only Positioner Cylinders	BOŞ :STANDART Blank :Standart	BOŞ :STANDART Blank :Standart	BOŞ :STANDART Blank :Standart	Hx :Halve Pitch BOŞ :STANDART Blank :Standart	BOŞ :STANDART Blank :Standart

WSAC - Serisi Short Strok Silindirler / WSAC - Series Short Stroke Cylinders

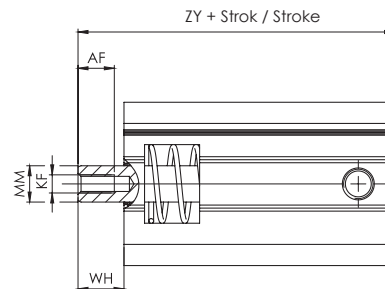
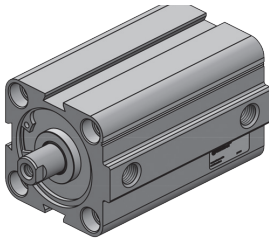
Kalın Milli Silindirler / Bold Rod Cylinders

WSAC.M.YY.025.0040.M16
 $\frac{\text{Ø}}{\text{Strok / Stroke}}$


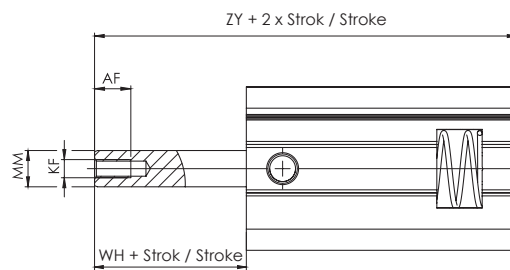
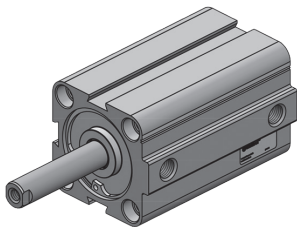
Çift Milli Silindirler / Through Rod Cylinders

WSAC.M.YY.025.0040.D
 $\frac{\text{Ø}}{\text{Strok / Stroke}}$


Önden Yaylı Silindirler / Front Spring Cylinders

WSAC.M.YY.025.0040.FY
 $\frac{\text{Ø}}{\text{Strok / Stroke}}$


Arkadan Yaylı Silindirler / Rear Spring Cylinders

WSAC.M.YY.025.0040.RY
 $\frac{\text{Ø}}{\text{Strok / Stroke}}$


Ø mm	ZM ±1	KK Ø	M	WH	P1	PL	AF min.	MM Ø	ZY	KF
20	41.0	-	-	4.5	9.0	8.0	10	10	46.0	M5X0.8
25	45.0	12	M6	4.5	11.0	11.0	10	10	50.0	M5X0.8
32	53.0	16	M8	5.5	11.5	11.5	12	12	55.0	M6X1.0
40	52.1	16	M8	5.8	12.0	12.0	12	12	55.8	M6X1.0
50	51.6	20	M10	6.0	12.0	12.0	16	16	55.5	M8X1.25
63	58.0	20	M10	6.0	14.5	12.5	16	16	62.0	M8X1.25
80	66.5	25	M12	7.0	16.0	16.0	19	20	69.0	M10X1.5
100	74.0	32	M16	7.0	17.0	17.0	21	25	77.0	M12X1.75