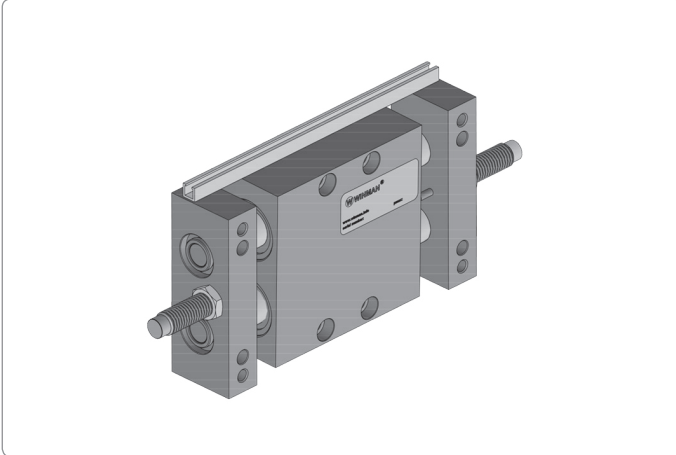


WSTWB - Serisi Kayar Tabla Silindirler / WSTWB - Series Slide Table Cylinders

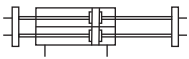


Özellikler / Specification

Piston Çapı / Bore Size	10	16	20	25	32
Çalışma Tipi / Acting Type	Çift Etkili / Double Acting				
Akışkan / Fluid	Hava (40µm filtrelenmiş) / Air (40µm filtered)				
Çalışma Basıncı / Op. Pressure	0.1~1.0MPa(15~145psi)(1.0~10bar)				
Proof Pressure / Basınç Geçirmez	0 ~ +80 °C				
Sıcaklık / Temperature °C	-20 ~ 70				
Hız Sınırı /Speed Range mm/s	30~500				
İnme Toleransı /Stroke tolerance	0~100 ^{+1.0} ₀ >100 ^{+1.5} ₀				
Cushion Type / Yastık Tipi	Shock Absorber				
Non Rotating Tolerance/Dönmeyen Tolerans ①	± 0.1°	± 0.05°	± 0.03°		
Port Size / Dönmeyen Tolerans ②	M5 × 0.8			1/8"	

① Retract position.
② PT thread, G thread and NPT thread are available. Add) Refer to P457~480 for detail of sensor switch.

Symbol



Product feature

- Both body and fixing plates can be installed.
- Three sets of air inlet and outlet are available for customer to choose and convenient for piping.
- The structure of double-piston rod provides the good performance of anti-bending and anti-torsion and can bear relatively stronger movement radial and load.
- Buffer device such as the integrated shock absorber can effectively slowdown impact velocity and extend life.

Stroke

Bore size (mm)	Standard stroke (mm)						Max. std stroke		
10	25	50	75	100			100		
16,20,25,32	25	50	75	100	125	150	175	200	200

Note) Consult us for non - standard stroke.

Ordering Code

WSTWB 25 × 50 S □

- Model**
WSTWB: Slide table cylinder(Double acting type)
- Mounting type**
 - A: Fixing plate mounted
Sensor switch mounting rail
Magnet
Port
Plug
 - B: Body mounted
Magnet mounting rail
Sensor switch mounting rail
Magnet
Port
- Thread type** ①
Blank: PT
G: G
T: NPT
- Magnet**
S: With magnet
- Stroke**
Refer to stroke table for details
- Bore size**
10 16 20 25 32

① When the thread is standard, the code is blank.

Inner structure and material of major parts

(WSTWA 16-S, Stroke 25mm)

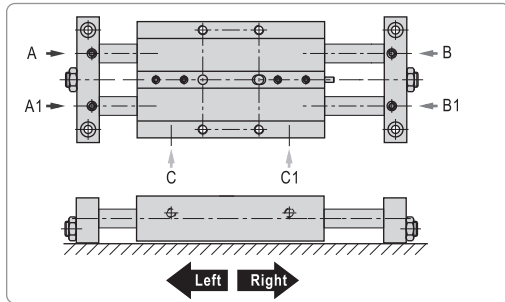
(WSTWA 16-S, Stroke 50~200mm)

NO.	Item	Material
1	Hexagon nut	Carbon steel
2	Fixing plate	Aluminum alloy
3	Washer	NBR
4	Magnet	Sintered metal (Neodymium-iron-boron)
5	Body	Aluminum alloy
6	Piston rod	Carbon steel
7	Sensor switch mounting rail	Aluminum alloy
8	Piston	Aluminum alloy
9	O-ring	NBR
10	O-ring	NBR
11	C clip	Spring steel
12	Pin	Carbon steel
13	Plug screw	Carbon steel
14	Shock absorber	Combination
15	O-ring	NBR
16	Bumper	Carbon steel
17	O-ring	NBR
18	Front cover	Aluminum alloy
19	Piston seal	NBR
20	Screw	Carbon steel
21	Countersink screw	Carbon steel

WSTWB - Serisi Kayar Tabla Silindirler / WSTWB - Series Slide Table Cylinders

Installation and application

1. There are 3 sets of air inlet and outlet ports on body and fixing plates, which are available for pipe connection from three directions.

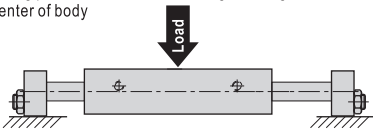


2. When air inlets and outlets are connected, the movement direction of cylinder is different. For example, when fixing plate is mounted on the machine, its corresponding movement is indicated as the table below:

Pressure port	A	A1	B	B1	C	C1
Movement direction	Right	Left	Right	Left	Left	Right

3. Loading of piston rod—reference value for deflection

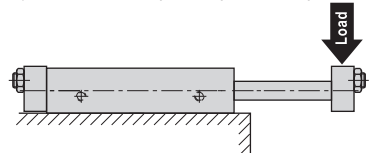
The fixing plates are fixed, the loading is acting on the center of body



Allowable deflection value (mm)

Model	Load(N)\Stroke	100	200
WSTWB10	9.81	0.07	—
WSTWB16	39.2	0.05	0.20
WSTWB20	49	0.04	0.15
WSTWB25	58.8	0.02	0.08
WSTWB32	98.1	0.02	0.07

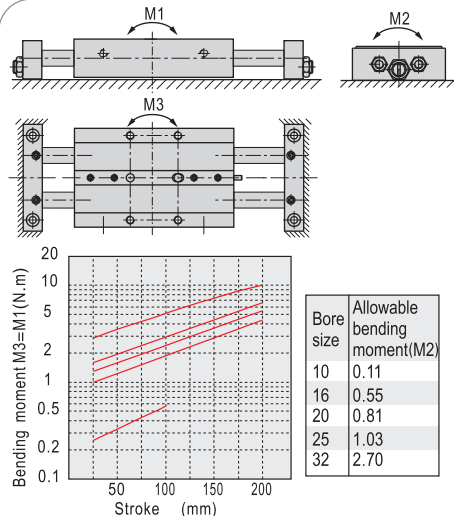
The body is fixed, the loading is acting on the fixing plates



Deflection value (mm)

Model	Load(N)\Stroke	50	100	100	200
WSTWB10	2.94	0.06	0.30	—	—
WSTWB16	4.84	0.03	0.10	0.25	0.45
WSTWB20	7.48	0.03	0.09	0.18	0.35
WSTWB25	9.81	0.03	0.09	0.16	0.25
WSTWB32	29.42	0.02	0.05	0.10	0.15

4. Reference value of allowable moment (M1, M2 and M3)

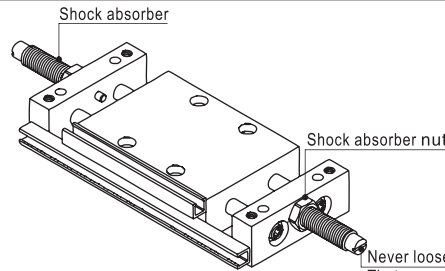


5. About shock absorber

5.1) Shock absorbers are consumable parts. When a decrease in energy absorption capacity is noticed, it must be replaced. Refer to the table below for shock absorber type.

5.2) Never loosen the bottom screw of the shock absorber. (It is not an adjustment screw.) That may cause oil leakage.

5.3) Refer to the table below for tightening torques of the shock absorber setting nut.



Cylinder	Shock absorber	Tightening torques(Nm)
WSTWB10	ACA0806-1N	1.67
WSTWB16	ACA0806-1N	1.67
WSTWB20	ACA1007-1N	3.14
WSTWB25	ACA1007-1N	3.14
WSTWB32	ACA1412-1N	10.8

Never loosen the bottom screw of the shock absorber That may cause oil leakage.

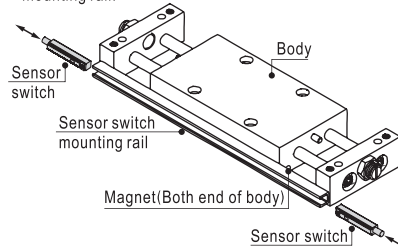
6. About sensor switch

6.1) WSTWB series are all with magnet, the relevant sensor switches are CS1-G, DS1-G. Please refer to page 457-480 for details.

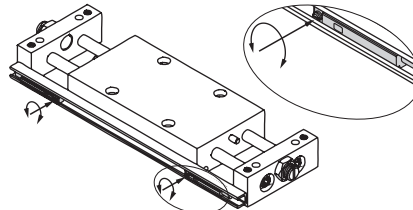
6.2) The magnet locations of WSTWA & WSTWB are different, so sensor switch's position is different, please refer to below for details.

WSTWA

① Please refer below to secure sensor switch in sensor switch mounting rail.

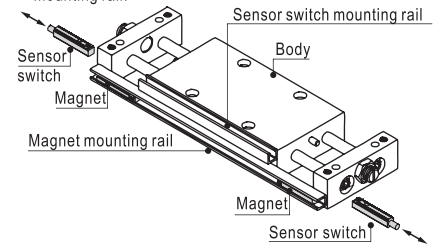


② Adjusting sensor switch position, tightening screw to secure sensor switch.

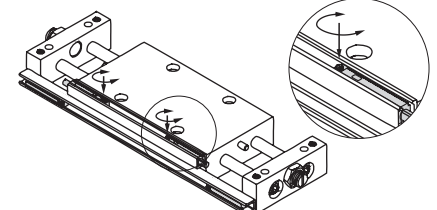


WSTWB

① Please refer below to secure sensor switch in sensor switch mounting rail.

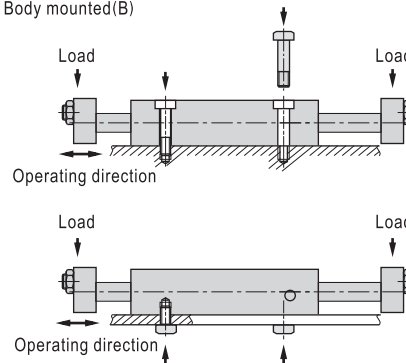


② Adjusting sensor switch position, tightening screw to secure sensor switch.

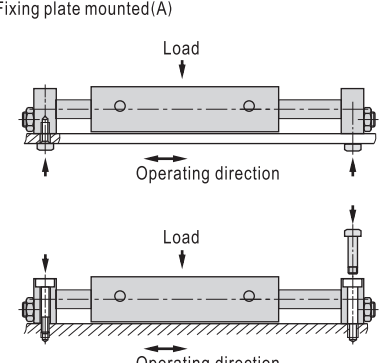


Mounting type

Body mounted(B)

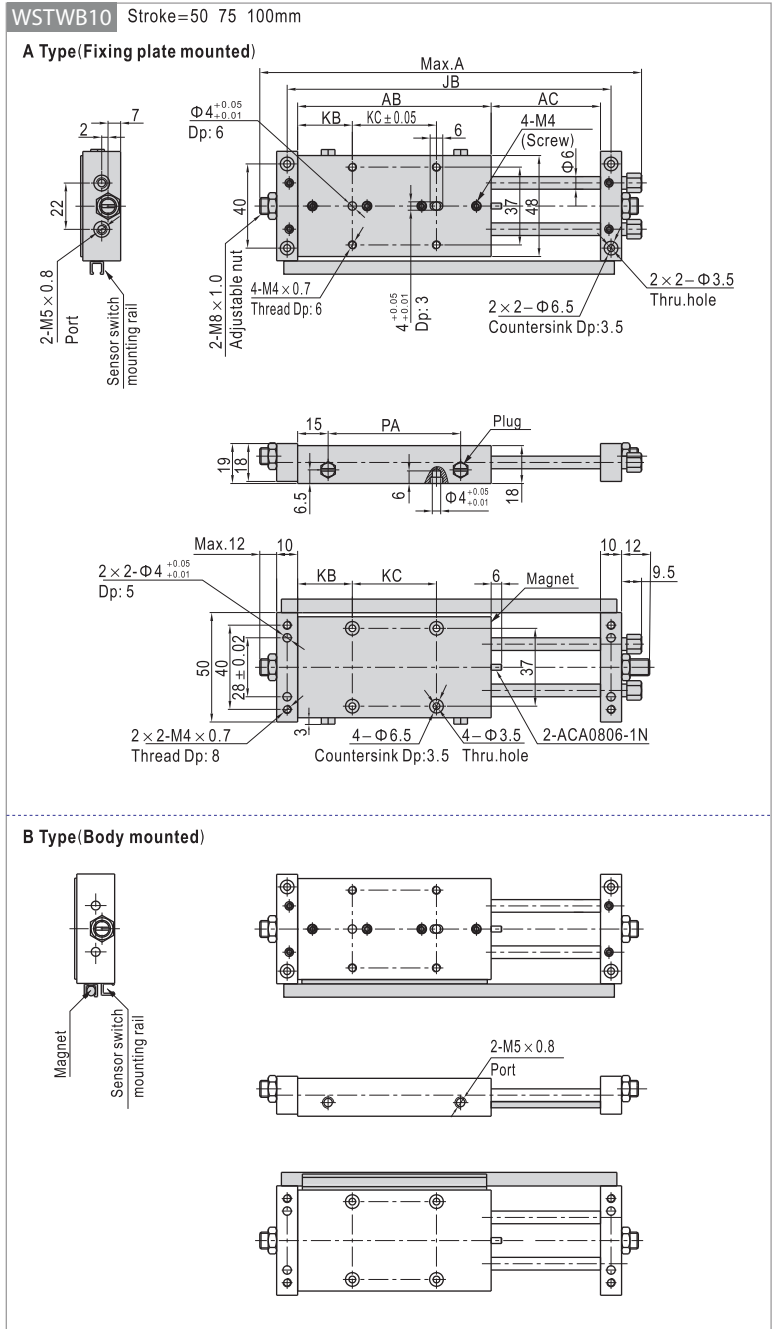
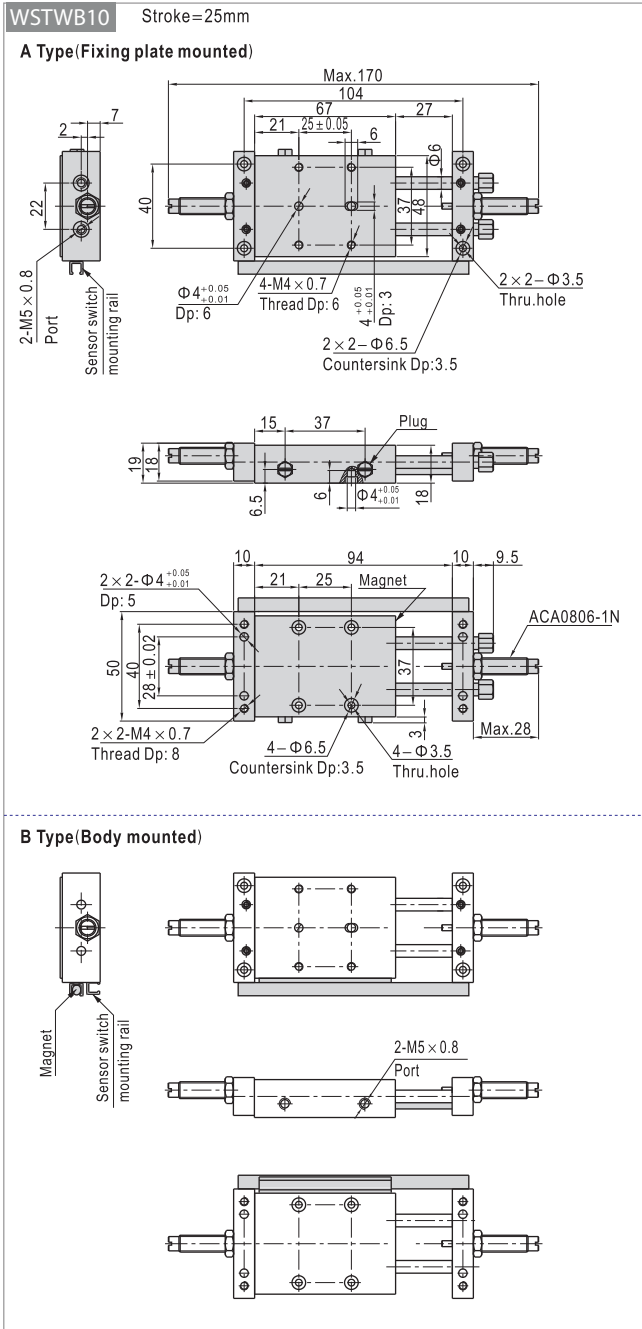


Fixing plate mounted(A)



WSTWB - Serisi Kayar Tabla Silindirler / WSTWB - Series Slide Table Cylinders

Dimensions



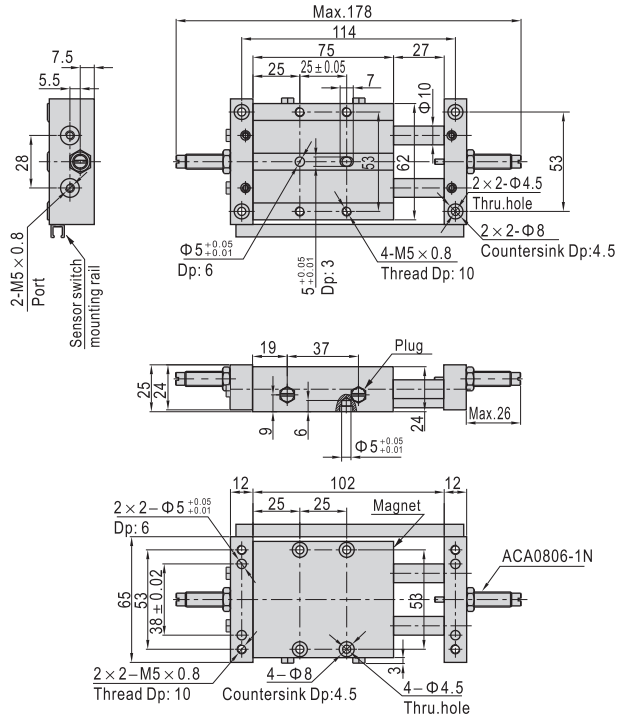
Stroke\Item	A	AB	AC	JB	KB	KC	PA
50	188	92	52	154	26	40	62
75	238	117	77	204	26	65	87
100	288	142	102	254	26	90	112

WSTWB - Serisi Kayar Tabla Silindirler / WSTWB - Series Slide Table Cylinders

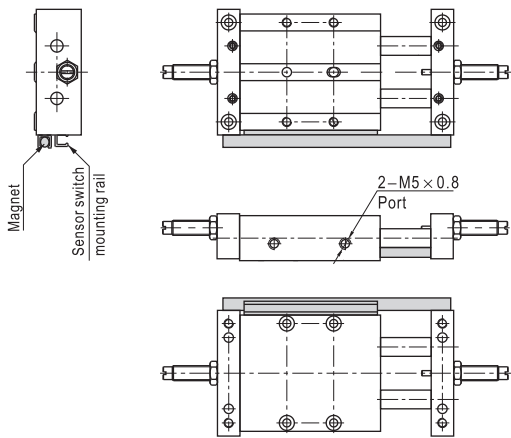
Dimensions

WSTWB16 Stroke=25mm

A Type(Fixing plate mounted)

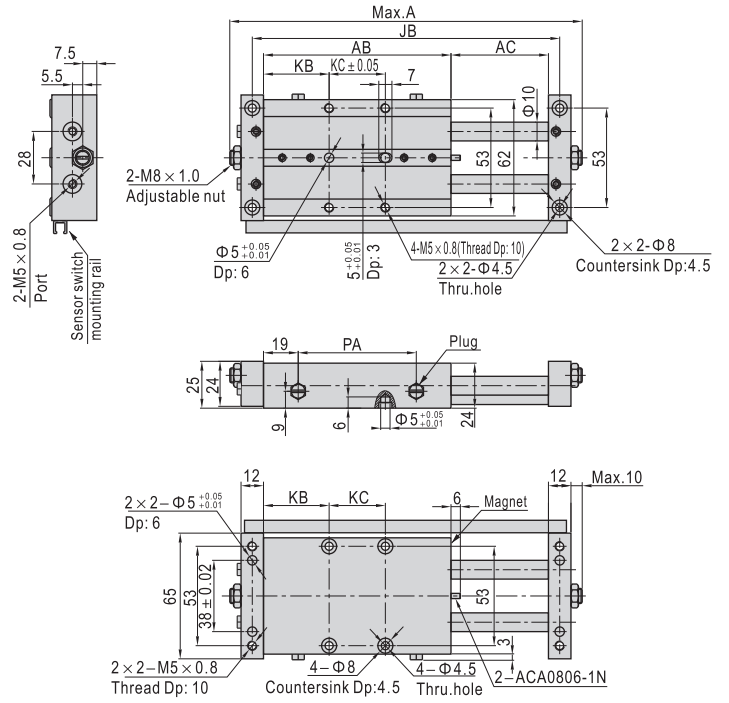


B Type(Body mounted)

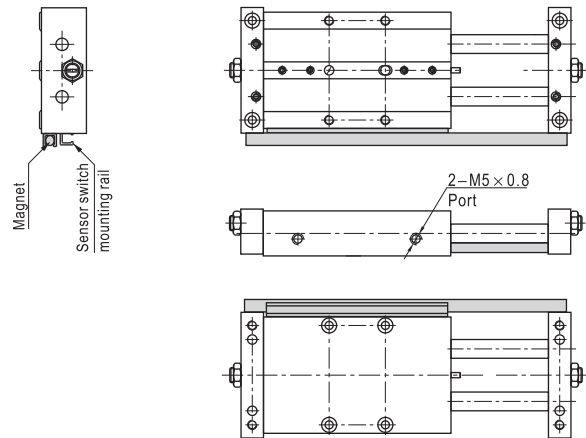


WSTWB16 Stroke=50 75 100 125 150 175 200mm

A Type(Fixing plate mounted)



B Type(Body mounted)

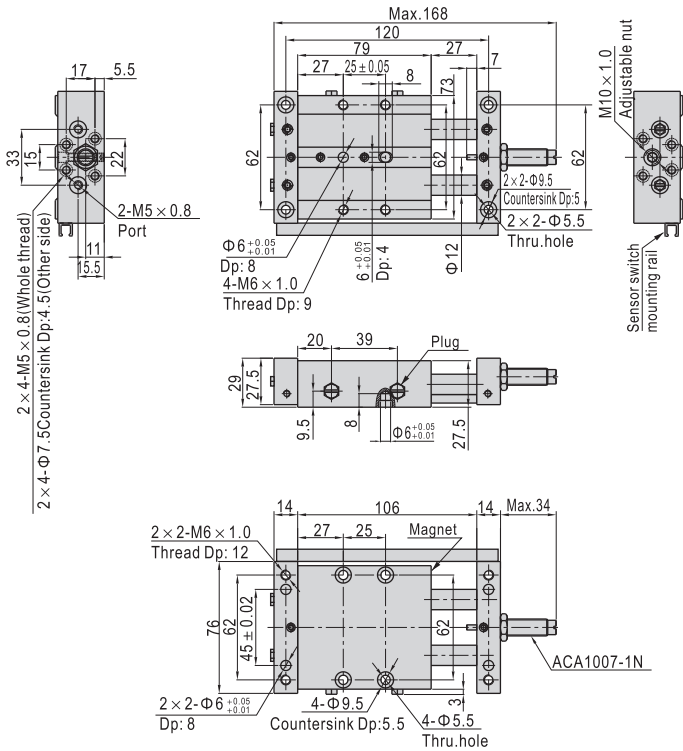


Stroke\Item	A	AB	AC	JB	KB	KC	PA
50	196	100	52	164	35	30	62
75	246	125	77	214	32.5	60	87
100	296	150	102	264	37.5	75	112
125	346	175	127	314	42.5	90	137
150	396	200	152	364	55	90	162
175	446	225	177	414	67.5	90	187
200	496	250	202	464	80	90	212

WSTWB - Serisi Kayar Tabla Silindirler / WSTWB - Series Slide Table Cylinders

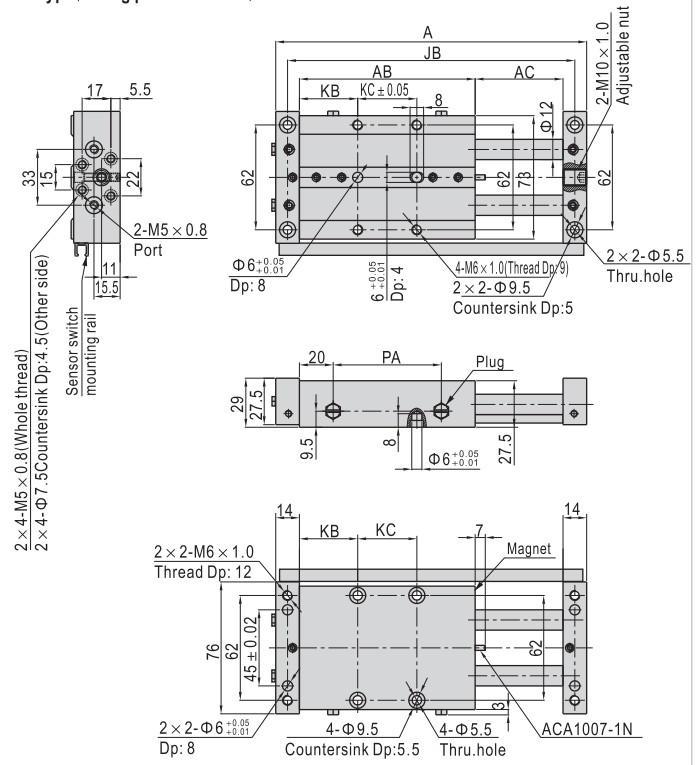
WSTWB20 Stroke=25mm

A Type(Fixing plate mounted)

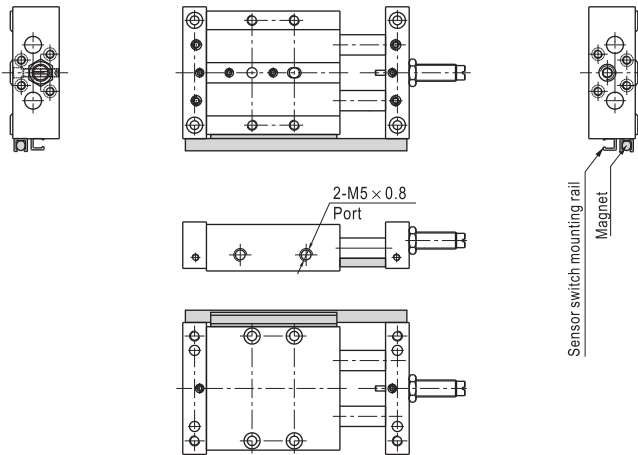


WSTWB20 Stroke=50 75 100 125 150 175 200mm

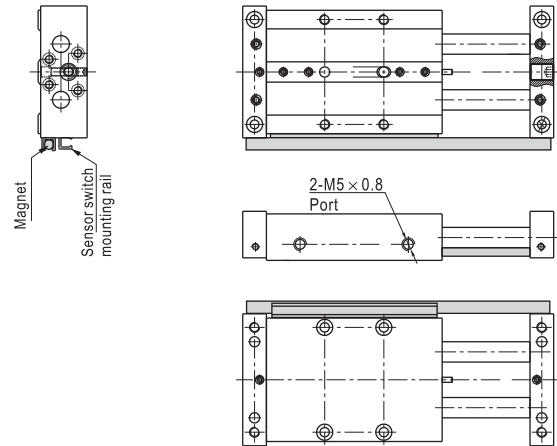
A Type(Fixing plate mounted)



B Type(Body mounted)



B Type(Body mounted)

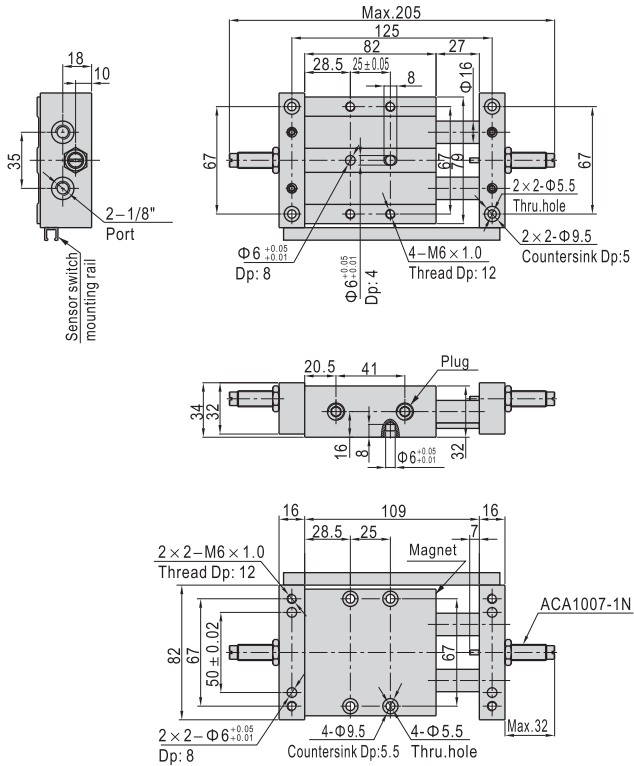


Stroke\Item	A	AB	AC	JB	KB	KC	PA
50	184	104	52	170	34.5	35	64
75	234	129	77	220	34.5	60	89
100	284	154	102	270	39.5	75	114
125	334	179	127	320	44.5	90	139
150	384	204	152	370	57	90	164
175	434	229	177	420	69.5	90	189
200	484	254	202	470	82	90	214

WSTWB - Serisi Kayar Tabla Silindirler / WSTWB - Series Slide Table Cylinders

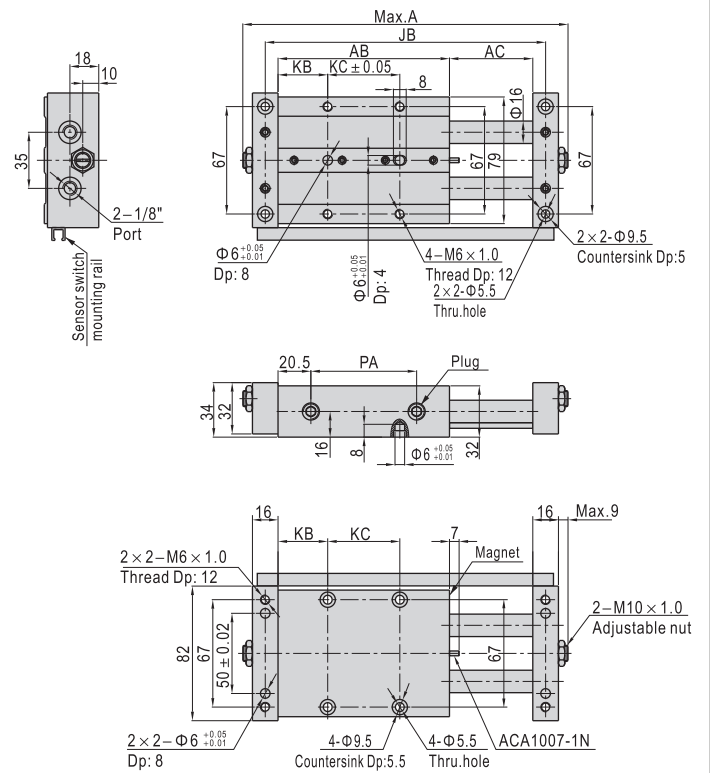
WSTWB25 Stroke=25mm

A Type(Fixing plate mounted)

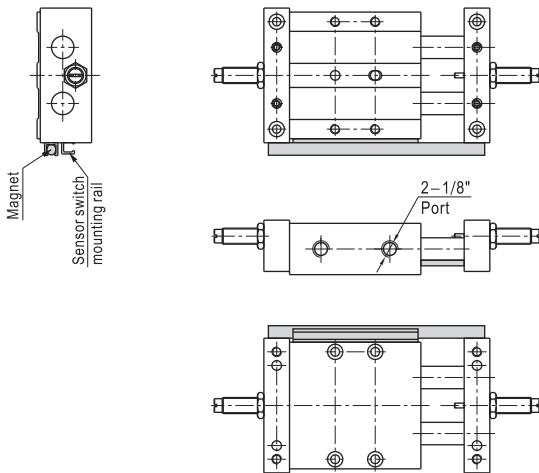


WSTWB25 Stroke=50 75 100 125 150 175 200mm

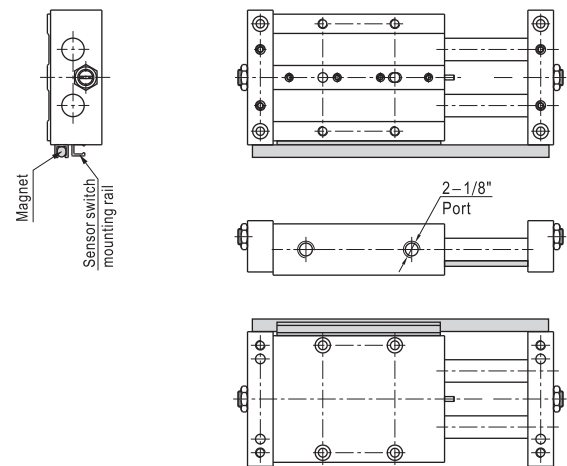
A Type(Fixing plate mounted)



B Type(Body mounted)



B Type(Body mounted)

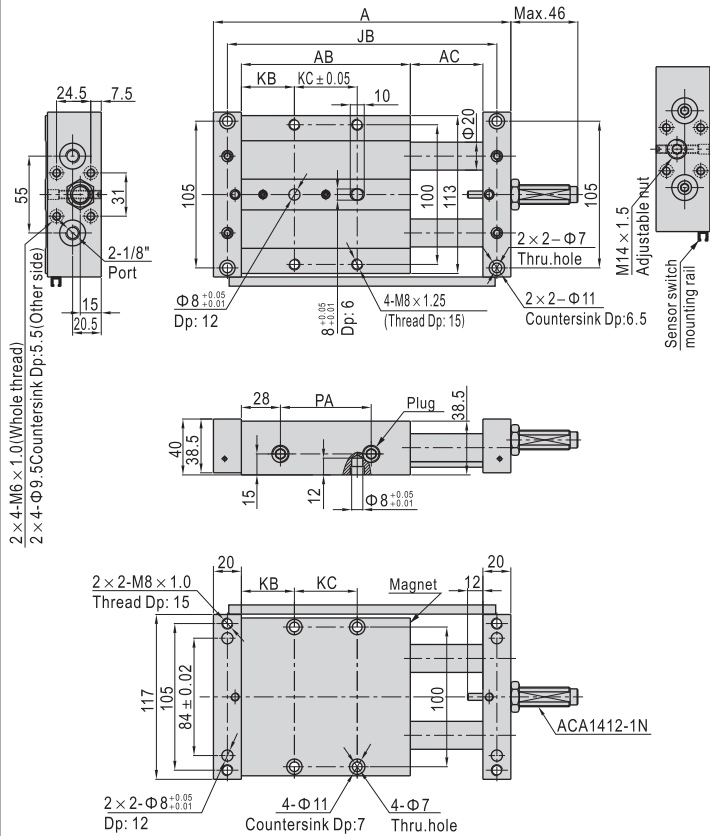


Stroke\Item	A	AB	AC	JB	KB	KC	PA
50	209	107	52	175	31	45	66
75	259	132	77	225	33.5	65	91
100	309	157	102	275	33.5	90	116
125	359	182	127	325	46	90	141
150	409	207	152	375	58.5	90	166
175	459	232	177	425	71	90	191
200	509	257	202	475	83.5	90	216

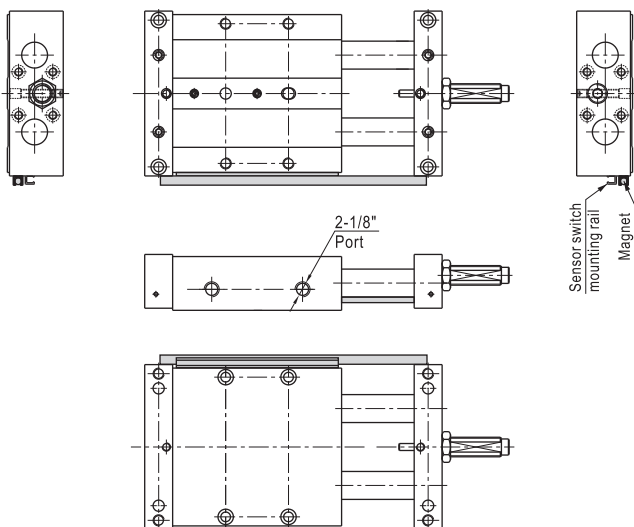
WSTWB - Serisi Kayar Tabla Silindirler / WSTWB - Series Slide Table Cylinders

WSTWB32 Stroke=25 50mm

A Type(Fixing plate mounted)



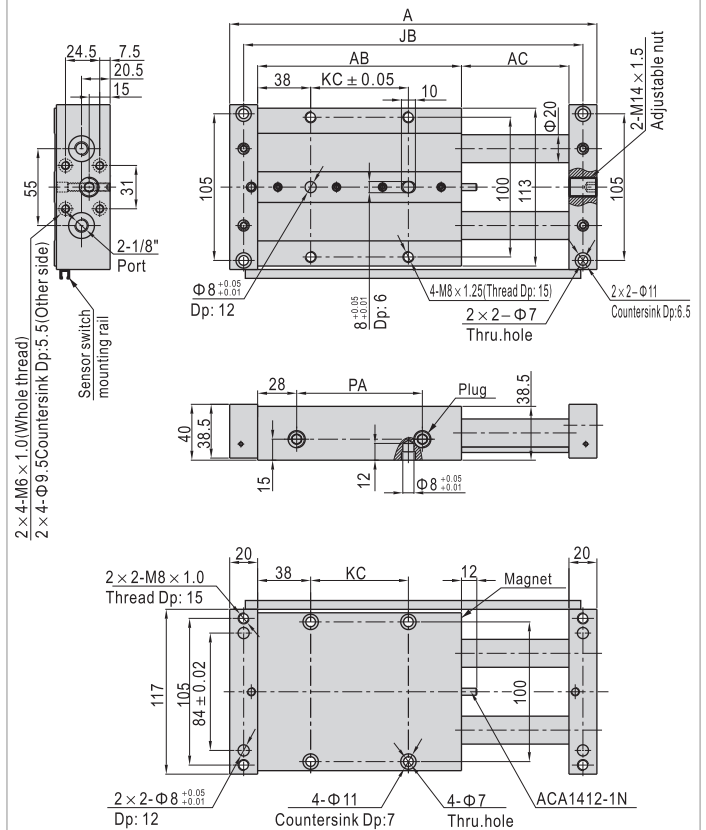
B Type(Body mounted)



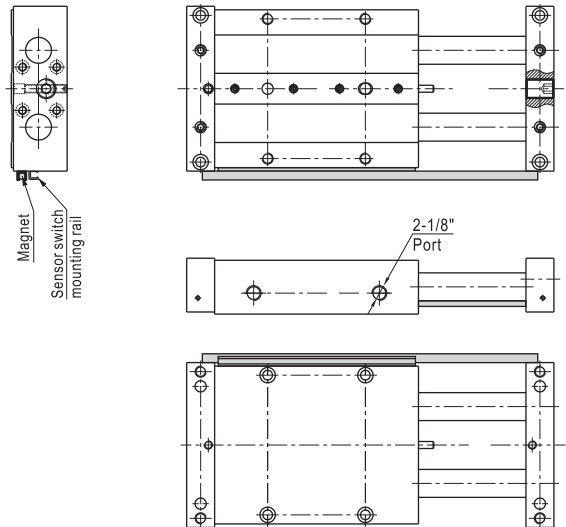
Stroke\Item	A	AB	AC	JB	KB	KC	PA
25	163	96	27	143	37	22	40
50	213	121	52	193	38	45	65

WSTWB32 Stroke=75 100 125 150 175 200mm

A Type(Fixing plate mounted)



B Type(Body mounted)



Stroke\Item	A	AB	AC	JB	KC	PA
75	263	146	77	243	70	90
100	313	171	102	293	95	115
125	363	196	127	343	120	140
150	413	221	152	393	145	165
175	463	246	177	443	170	190
200	513	271	202	493	195	215