

WINMAN SOLENOID VALVES

WSVD0.S08 Valve Series



Hybrid SAE Cartridge - 250 bar
NC Double Lock Direct Acting - Poppet Type

Description

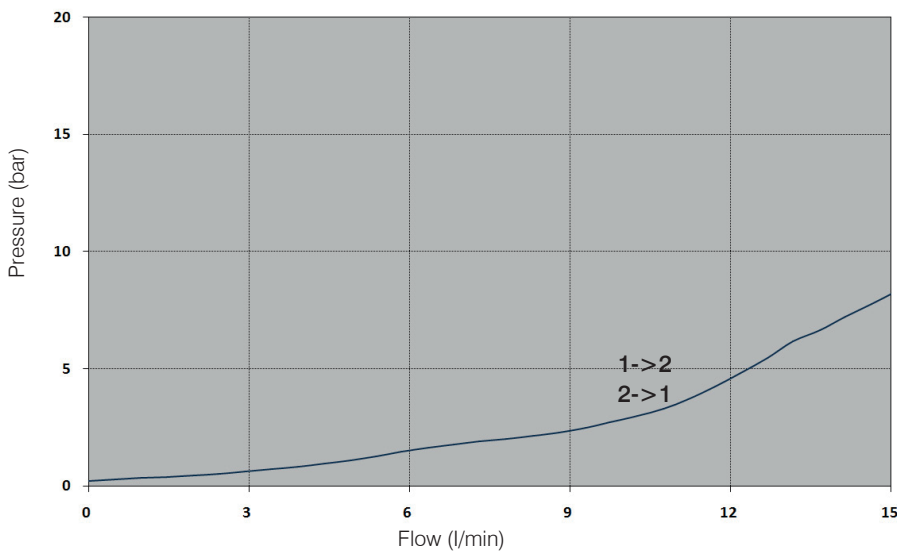
Solenoid operated, 2-way 2-positions, normally closed, direct acting poppet type, bi-directional blocking, screw-in cartridge valve. Special design for low leakage in load holding applications. When the coil is de-energized, the SVD0.S08 blocks flow in both directions. Once the coil is energized, the valve's poppet opens and allows free flow from 1 to 2 and from 2 to 1. The rigid design using a 1-piece body contributes to minimize the effect of eccentricities in cavity and provides great reliability. Low pressure drop thanks to optimized flow path. Override option: to manually override, push and hold the override pin/knob.

Technical Features

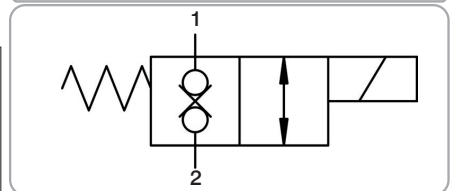
All external surfaces are zinc plated and corrosion-proof.
All valve parts are made of high strength steel. Poppet is hardened and ground to ensure minimal wear and extended service life.
Coil seals protect the solenoid system.
Manual override option.
Industry SAE common cavity.

Performance Details

Note : For information about operating limits, please contact the factory.



Symbols

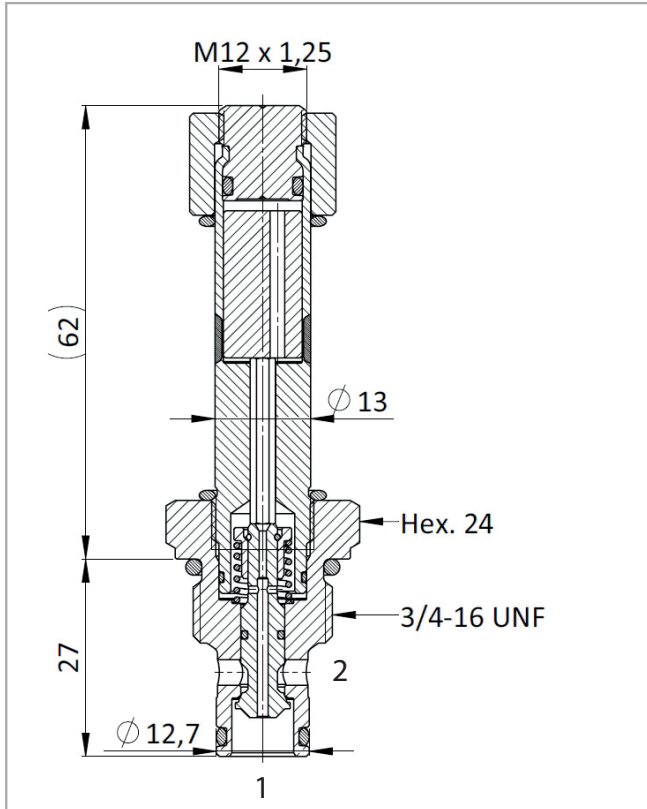


Technical Data

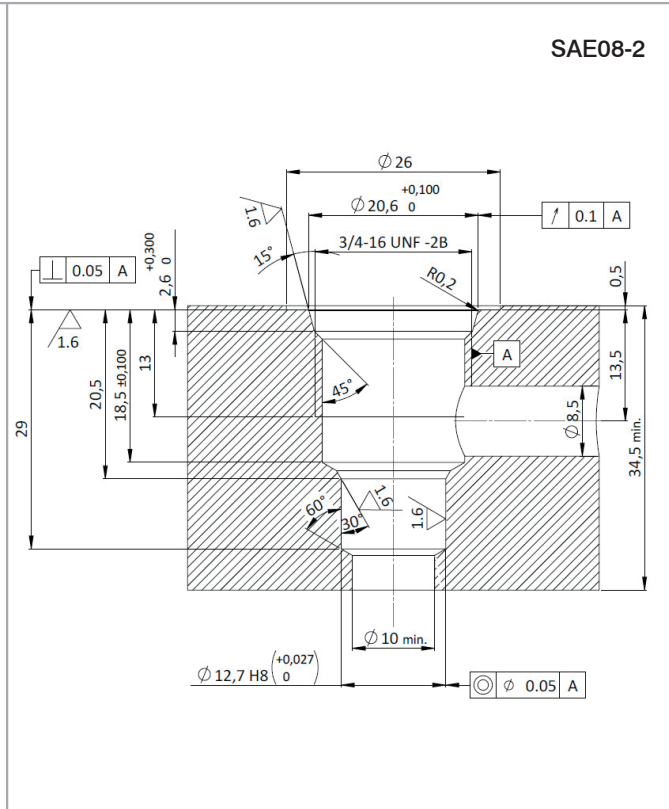
Maximum operating pressure: 250 bar
Maximum flow: 15 l/min
Internal leakage: max 5 drops/min @ 250 bar
Response time: Energized 20 ms,
De-energized 40 ms (typical 24V DC coil)
Temperature: -30°C to 110°C
Fluids: Mineral-based or synthetics with lubricating properties at viscosities of 7.4 to 420 cSt
Minimum pull-in voltage: 85% of nominal
Orientation: no restrictions
Installation torque: 40-45 Nm
Seal kit code: SK.003 and SK.027 (coil)
Weight: 0.120 kg
NOTE: The performance chart illustrates flow handling capacity in both directions (1 to 2 and 2 to 1).
P/Q curves are recorded at TOil = 40°C and 46 cSt

WINMAN SOLENOID VALVES

Cross Section



Cavity Details



Ordering Code

W S V D 0 • S 0 8 • 0 * • - 0 0

Valve basic code

Cavity

S08= 3/4 - 16 UNF with Ø12,7 nose size
 Other available options:
 S09=3/4-16 UNF with Ø15,86 size
 M20=M20 x 1,5 with Ø15 nose size

Filtration

Manual override

Marking

0=Standard factory marking
 Customized markings can be done upon request

Manual Override

Model Code	Type of override
0	No override
3	Push pin
4	Push knob
8	Screw

Filtration

Model Code	Type of override
N	No filter
F	Standard filter (mesh size 280mm)

oil



Use 18W coil to operate this valve.