

WINMAN SOLENOID VALVES

WVA0.S08.C Valve Series



SAE Cartridge - 250 bar
Directional Valve - 4/2 Spool Type

Description

A solenoid - operated, 4-way, 2-position, spool-type, direct-acting, screw-in hydraulic cartridge valve.

In the de-energized mode the WVA0.S08 flow paths are 1 to 2 and 3 to 4.

In the energized mode the WVA0.S08 blocks flow at all ports.

The rigid design using a 1-piece body contributes to minimize the effect of eccentricities in cavity and provides great reliability.

Low pressure drop thanks to optimized paths.

Technical Features

All external surfaces are zinc plated and corrosion-proof.

All valve parts are made of high strength steel.

Spool and cage are hardened and super-finished to ensure minimal wear and to extend service life.

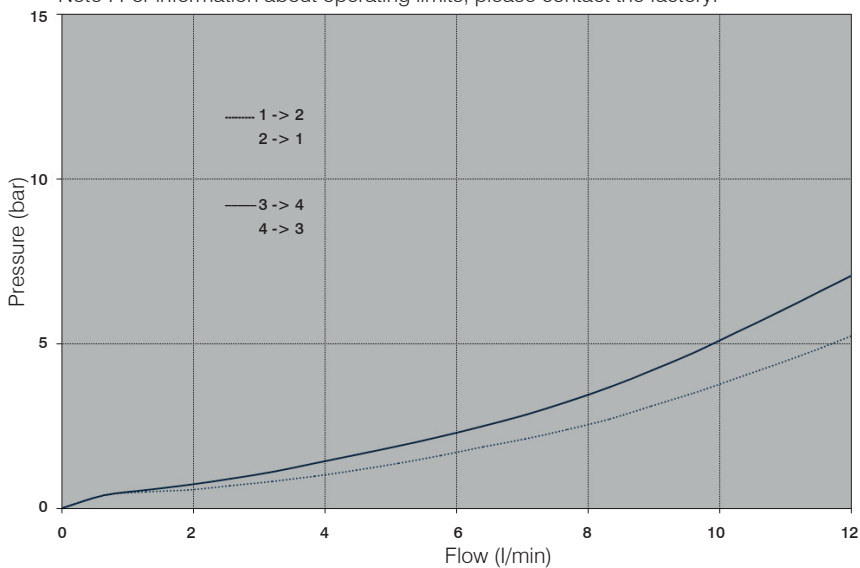
Coil seals protect the solenoid system.

Industry SAE common cavity.

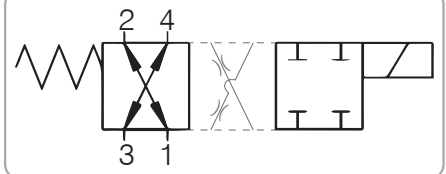
Note : Standard sealing NBR (BUNA-N)

Performance Details

Note : For information about operating limits, please contact the factory.



Symbol



Technical Data

Maximum operating pressure: 250 bar

Maximum flow: 12 l/min

Internal leakage: max 150 cm³/min @ 250 bar

Temperature: -30°C to 110°C

Fluids: Mineral-based or synthetics with lubricating properties at viscosities of 7.4 to 420 cSt

Minimum pull-in voltage: 85% of nominal

Orientation: no restrictions

Installation torque: 25-30 Nm

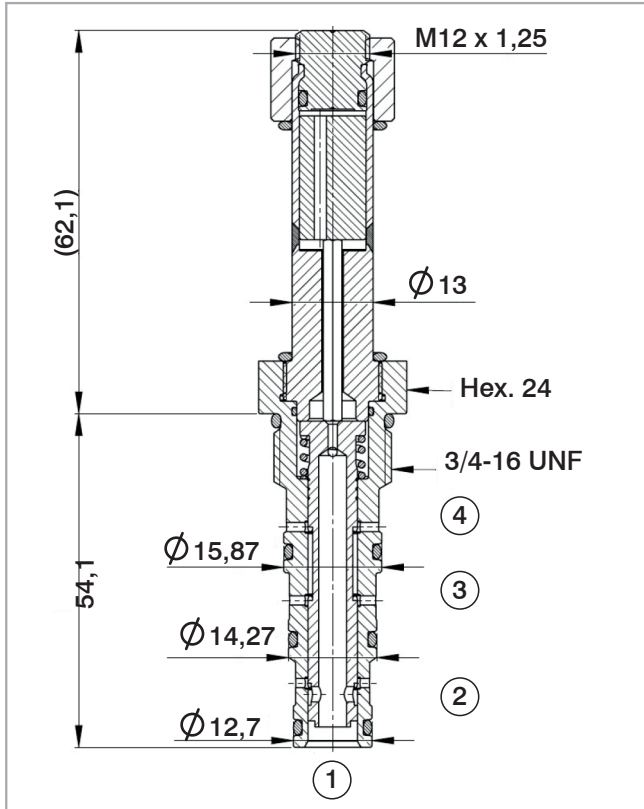
Seal kit sono: SK.065 e SK.027(for coil)

Weight: 0.160 kg

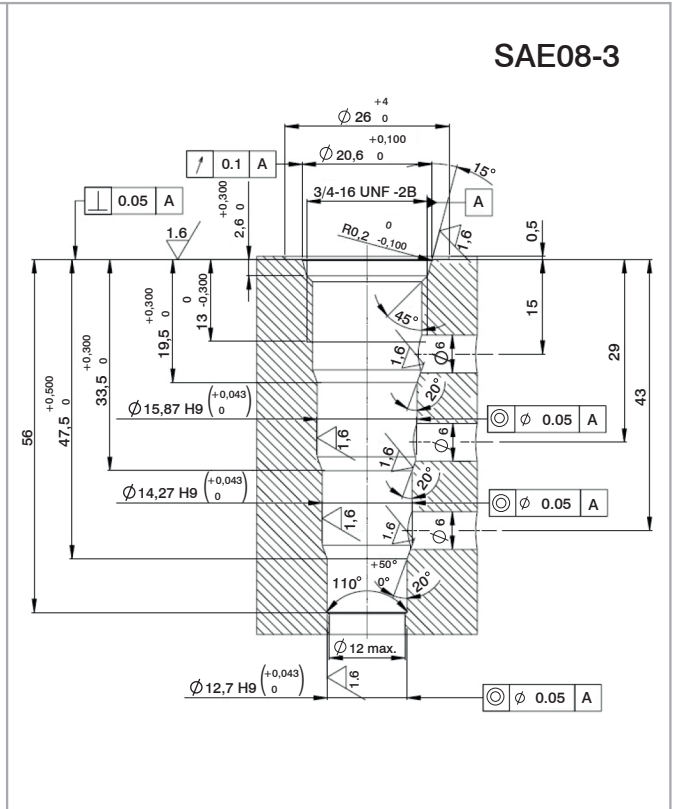
NOTE: The performance chart illustrates flow handling capacity 3 to 4 and 1 to 2 (de-energized)

WINMAN SOLENOID VALVES

Cross Section



Cavity Details



Ordering Code

W V A 0 • S 0 8 • 0 * • C * *

Valve basic code

Cavity

S08= 3/4 - 16 UNF with $\varnothing 15,87$, $\varnothing 14,27$ and $\varnothing 12,7$ nose sizes

Flow path

3 to 4 and 1 to 2 (de-energized)
All ports brocked (energized)

Manual override

(See table below for available option and page 346 for more details)

Marking

0=Standard factory marking
Customized markings can be done upon request

Manual Override

Model Code	Type of override
0	No override
3	Push pin
4	Push knob
8	Screw

Coil



Use 22W coil to operate this valve.