

## WINMAN SOLENOID VALVES

### WVA0.S08.H Valve Series



**SAE Cartridge - 250 bar**  
**Directional Valve - 4/2 Spool Type**

#### Description

A solenoid - operated, 4-way, 2-position, spool-type, direct-acting, screw-in hydraulic cartridge valve.

In the de-energized mode the SVA0.S08 flow paths are 1 to 2 and 2 and 3 to 4.

In the energized mode the SVA0.S08 flow paths are 1 to 4 and 3 to 2.

All ports are connected at crossover.

The rigid design using a 1-piece body contributes to minimize the effect of eccentricities in cavity and provides great reliability.

Low pressure drop thanks to optimized paths.

#### Technical Features

All external surfaces are zinc plated and corrosion-proof.

All valve parts are made of high strength steel. Spool and cage are hardened and super-finished to ensure minimal wear and to extend service life.

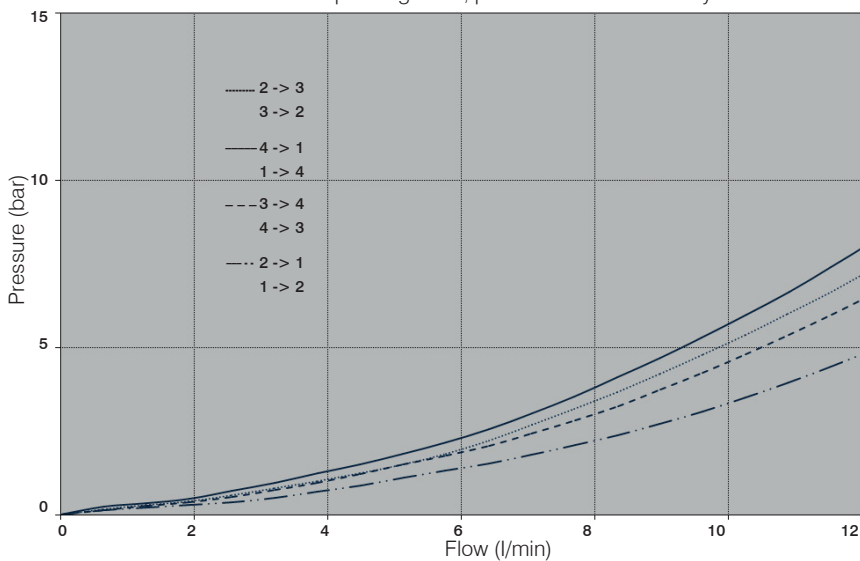
Coil seals protect the solenoid system.

Industry SAE common cavity.

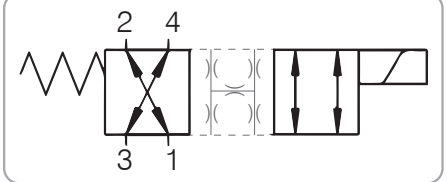
Note : Standard sealing NBR (BUNA-N)

#### Performance Details

Note : For information about operating limits, please contact the factory.



#### Symbol



#### Technical Data

Maximum operating pressure: 250 bar

Maximum flow: 12 l/min

Internal leakage: max 150 cm<sup>3</sup>/min @ 250 bar

Temperature: -30°C to 110°C

Fluids: Mineral-based or synthetics with lubricating properties at viscosities of 7.4 to 420 cSt

Minimum pull-in voltage: 85% of nominal

Orientation: no restrictions

Installation torque: 25-30 Nm

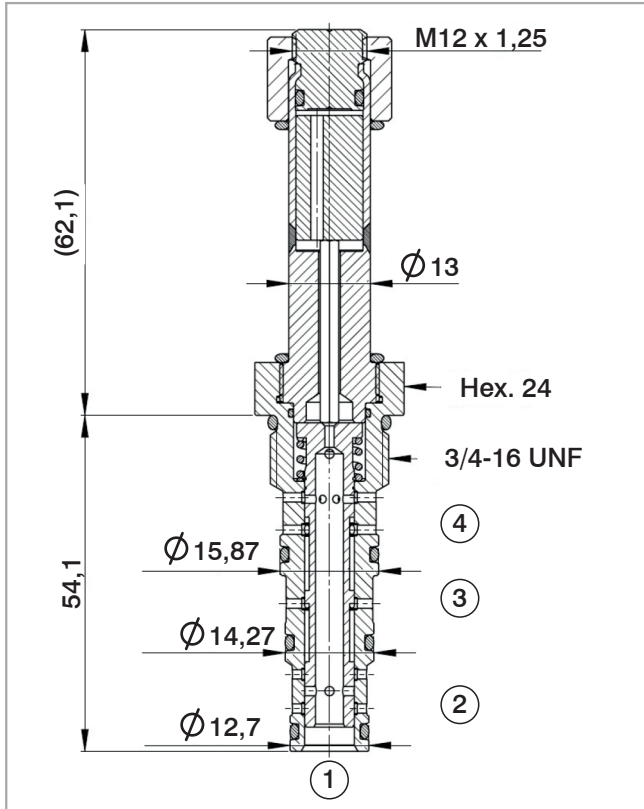
Seal kit sono: SK.065 e SK.027(for coil)

Weight: 0.160 kg

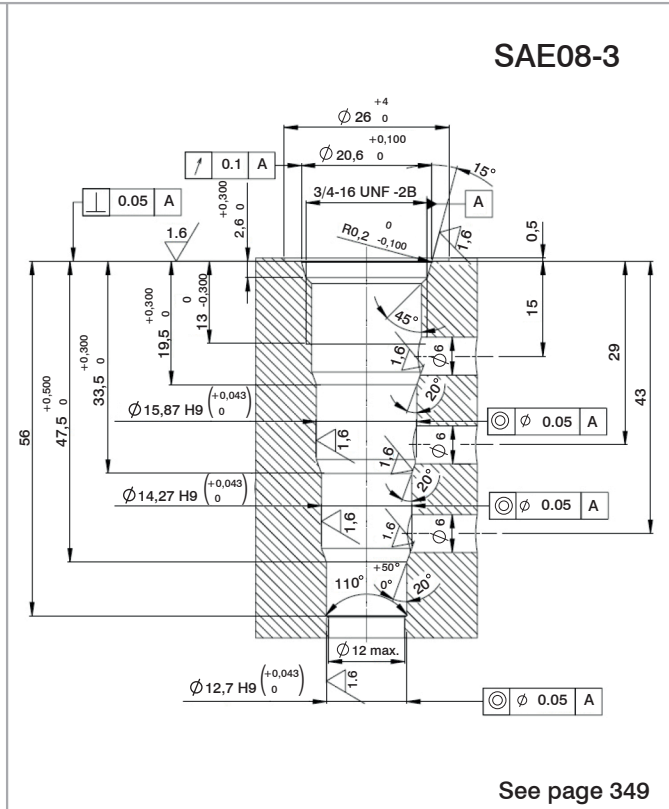
NOTE: The performance chart illustrates flow handling capacity 1 to 2 and 3 to 4 (de-energized) and 3 to 2 and 4 to 1 (energized)

**WINMAN SOLENOID VALVES**

**Cross Section**



**Cavity Details**



See page 349

**Ordering Code**

W V A 0 • S 0 8 • 0 \* • H \* \*

Valve basic code

Cavity

S08= 3/4 - 16 UNF with Ø15,87, Ø14,27 and Ø12,7 nose sizes

Flow path

3 to 4 and 1 to 2 (de-energized)  
3 to 2 and 1 to 4 (energized)

Manual override

(See table below for available option and page 346 for more details)

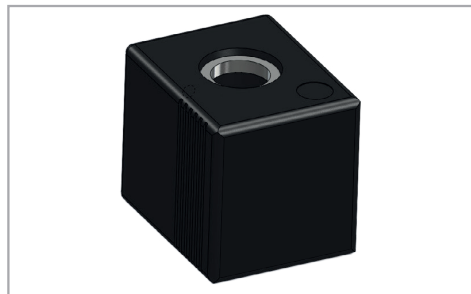
Marking

0=Standard factory marking  
Customized markings can be done upon request

**Manual Override**

Model Code	Type of override
0	No override
3	Push pin
4	Push knob
8	Screw

**Coil**



Use 22W coil to operate this valve.