

WINMAN SOLENOID VALVES

WVB0.S08.E Valve Series



**SAE Cartridge - 250 bar
Directional Valve - 4/3 Spool Type**

Description

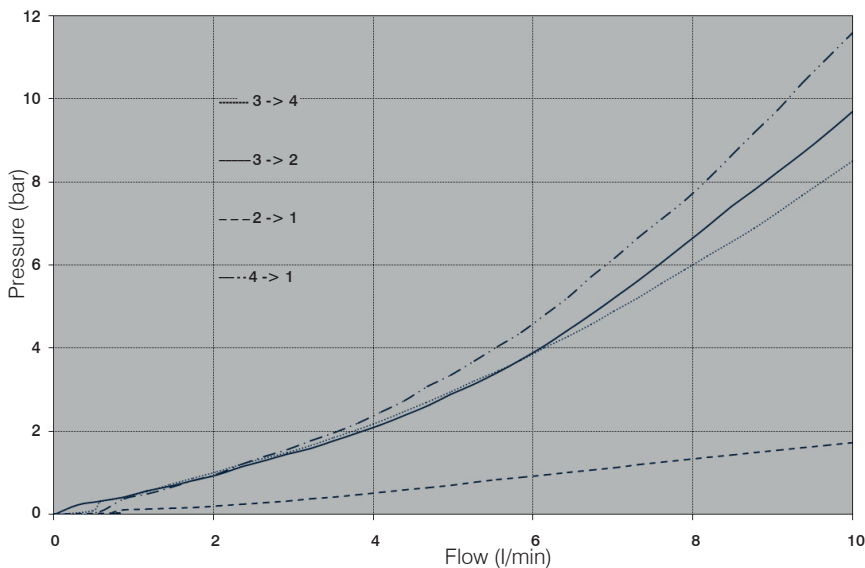
A solenoid - operated, 4-way 3 positions, spool-type, direct-acting, screw-in hydraulic directional cartridge valve.
In the de-energized mode ports 1 and 2 are connected while ports 3 and 4 are blocked.
When coil S1 (lower coil) is energized flow is allowed from 3 to 4 and from 2 to 1.
When coil S2 (upper coil) is energized flow is allowed from 3 to 2 and from 4 to 1.
The rigid design using a 1-piece body contributes to minimize the effect of eccentricities in cavity and provides great reliability.
Low pressure drop thanks to optimized paths.

Technical Features

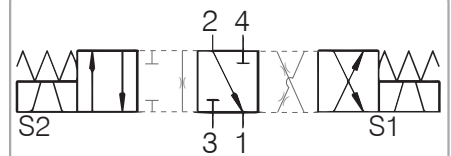
All external surfaces are zinc plated and corrosion-proof.
All valve parts are made of high strength steel. Spool and cage are hardened and super-finished to ensure minimal wear and to extend service life.
Coil seals protect the solenoid system.
Industry SAE common cavity.
Note : Standard sealing NBR (BUNA-N)

Performance Details

Note : For information about operating limits, please contact the factory.



Symbol

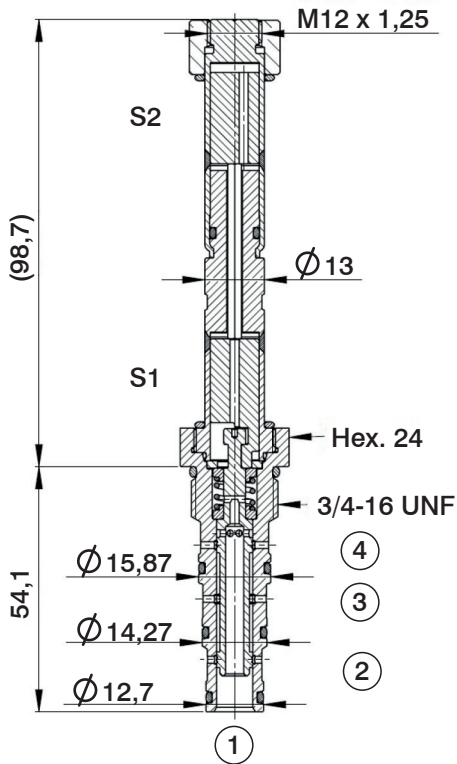


Technical Data

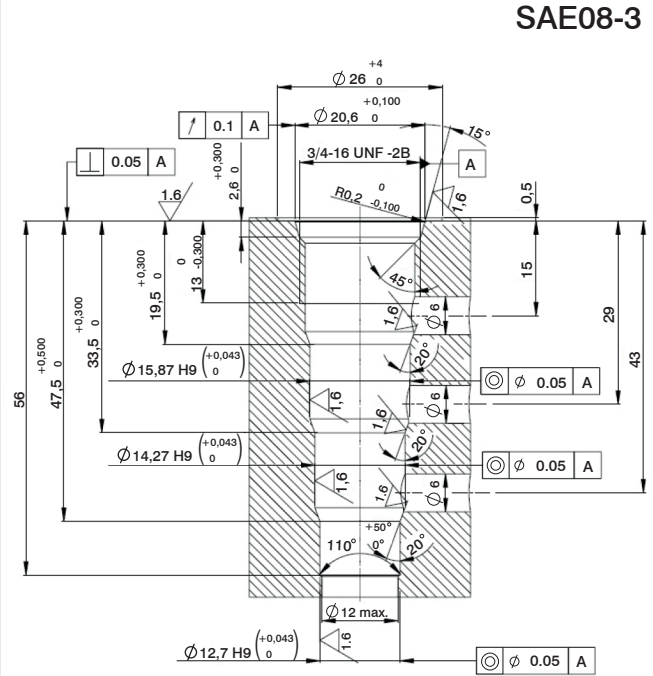
Maximum operating pressure: 250 bar
Maximum flow: 10 l/min
Internal leakage: max 120 cm³/min @ 250 bar
Temperature: -30°C to 110°C
Fluids: Mineral-based or synthetics with lubricating properties at viscosities of 7.4 to 420 cSt
Minimum pull-in voltage: 85% of nominal
Orientation: no restrictions
Installation torque: 40-45 Nm
Seal kit sono: SK.065 e SK.027 (for coil)
Weight: 0.183 kg
NOTE: The performance chart illustrates flow handling capacity 3 to 4 and 2 to 1 (energized S1) and 3 to 2 and 4 to 1 (energized S2)
P/Q curves are recorded at TOil = 40 cSt

WINMAN SOLENOID VALVES

Cross Section



Cavity Details



SAE08-3

See page 349

Ordering Code



Valve basic code

Cavity

S08= 3/4 - 16 UNF with Ø15,87, Ø14,27 and Ø12,7 nose sizes

Flow path

3 and 4 blocked, flow allowed from 2 to 1 (de-energized)
3 to 4 and 2 to 1 (energized) S1
3 to 2 and 4 to 1 (energized) S2

Manual override

0 = No override

Marking

0=Standard factory marking
Customized markings can be done upon request

Coil



Use 18W coil to operate this valve.