

WINMAN SOLENOID VALVES

WVJ0.S08 Valve Series



SAE Cartridge - 350 bar
NO Single Lock Pilot Operated - Poppet Type

Description

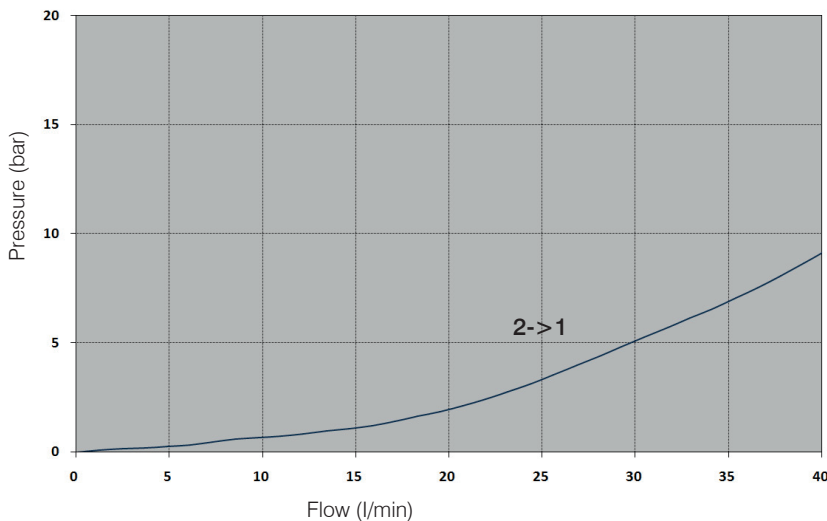
Solenoid operated, 2-way 2-positions, normally open, piloted poppet type, screw-in cartridge valve. Typically used as a blocking or load holding device for high pressure circuits. When the coil is de-energized, the SVJ0.S08 allows flow from 2 to 1, while flow from 1 to 2 is severely restricted. When the coil is energized the valve closes, blocking flow from 2 to 1. In this mode, flow from 1 to 2 is allowed once the pressure overcomes the force of the solenoid. The rigid design using a 1-piece body contributes to minimize the effect of eccentricities in cavity and provides great reliability. Low pressure drop thanks to optimized flow path.

Technical Features

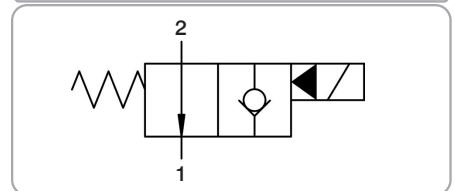
All external surfaces are zinc plated and corrosion-proof.
All valve parts are made of high strength steel. Poppet is hardened and ground to ensure minimal wear and extended service life.
Coil seals protect the solenoid system.
Manual override option.
Industry SAE common cavity.
It replaces the previous SVN0.S08.

Performance Details

Note : For information about operating limits, please contact the factory.



Symbols

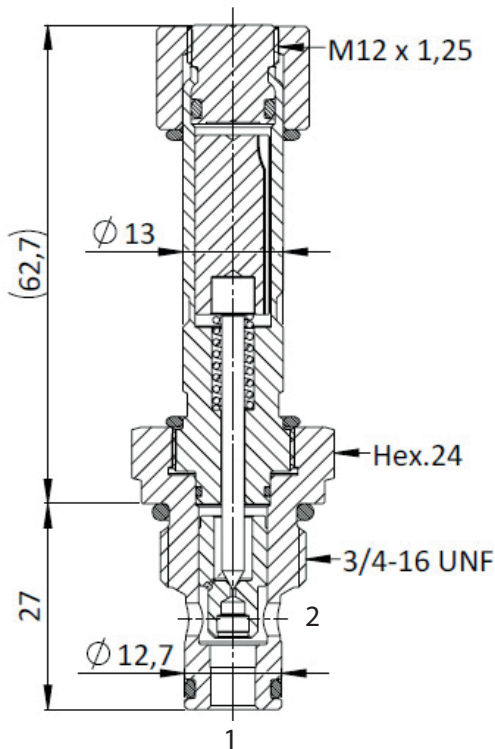


Technical Data

Maximum operating pressure: 350 bar
Maximum flow: 40 l/min
Internal leakage: max 5 drops/min @350 bar
Response time: Energized 20 ms,
De-energized 30 ms (typical 24V DC coil)
Temperature: -30°C to 110°C
Fluids: Mineral-based or synthetics with lubricating properties at viscosities of 7.4 to 420 cSt
Minimum pull-in voltage: 85% of nominal
Orientation: no restrictions
Installation torque: 40-45 Nm
Seal kit code: SK.030 and SK.027 (coil)
Weight: 0.120 kg
NOTE: The performance chart illustrates flow handling capacity in both directions (1 to 2 energized, 2 to 1 de-energized).
P/Q curves are recorded at T_{Oil} = 40°C and 46 cSt

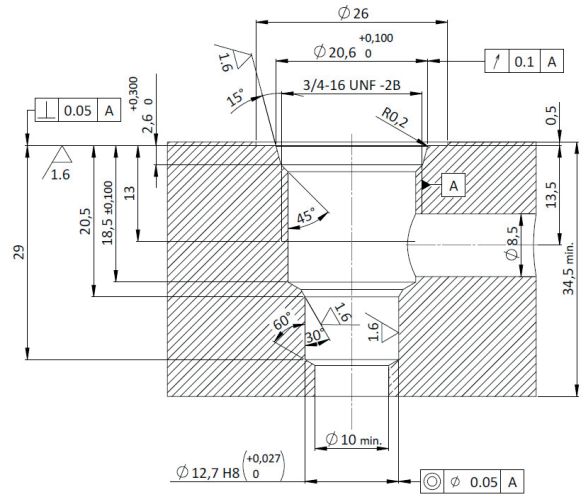
WINMAN SOLENOID VALVES

Cross Section



Cavity Details

SAE08



Ordering Code

W V J 0 • S 0 8 • 0 * • * 0 0

Valve basic code

Cavity

S08 = 3/4-16 UNF with Ø12,7 nose size

Filtration

Manual override

Marking

0=Standard factory marking
Customized markings can be done upon request

Manual Override

Model Code	Type of override
0	No override
1	Push pin
2	Push knob
6	Screw

Filtration

Model Code	Type of filter
N	No filter
F	Standard filter (mesh size 280 mm)

Coil



Use 18W coil to operate this valve.