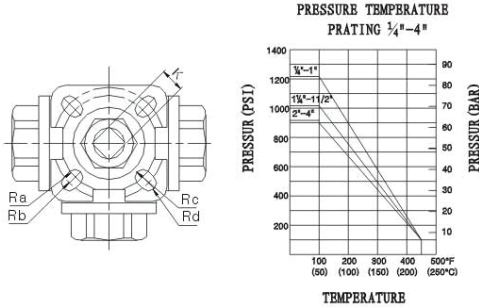
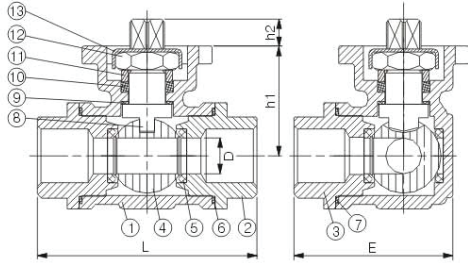


WINMAN 3 Yollu ISO 5211, Paslanmaz Küresel Vana / Three Way Ball Valve With Platform


WKV-14

Özellikler / Features

Thread Standard	NPT	BSPT	DIN259	DIN2999	ISO228 CLASS A
Max. Pressure	6.4MPa				
Temperature Range	-20°C~232°C				
Suitable Medium	Water,oilair And Some Corrosive Liquids				
Reduced Port					
Investment Casting Body					
1000PSI(PN64)W.O.G					
Material Standard	S45C/ASTM A216Gr WCB/DIN1.00619	SS316/ASTM A351Gr CF8M/DIN1.4408	SS304/ASTM A351Gr CF8/DIN1.4308		

Teknik Çizim / Technical Drawing

Ana Parçalar ve Malzemeler / Main Parts and Materials

1	Body	CF8/CF8M
2	Cap	CF8/CF8M
3	Cap	CF8/CF8M
4	Ball	SS304/SS316/SS
5	Seat	PTFE
6	Gasket-A	PTFE
7	Gasket-B	PTFE
8	Stem	SS304/SS316/SS
9	Thrust Washer	PTFE
10	Packing	PTFE
11	Gland	SS304/SS
12	Stem Nut	SS304/SS
13	Block Only Retreat	SS304/SS

Teknik Özellikler / Main Outer Size

NPS	D	L	h1	h2	E	Ra	Rb	Rc	Rd	K	Actuator
1/2"	12	73.5	36.75	9	39.0	18	21	3	3.0	9	WPNA 052DA
3/4"	15	82.5	39.75	9	47.5	18	21	3	3.0	9	WPNA 052DA
1"	18	89.0	47.25	11	53.0	21	25	3	3.5	11	WPNA 052DA
1 1/4"	25	125	56.00	11	75.0	21	25	3	3.5	11	WPNA 063DA
1 1/2"	32	139.0	71.00	14	86.5	25	35	3.50	4.5	14	WPNA 070DA
2"	45	154.5	77.00	14	98.0	25	35	3.50	4.5	14	WPNA 080DA