

WINMAN HİDROLİK ÜÇ YOLLU KÜRESEL VANALAR

DDF3 SERIES

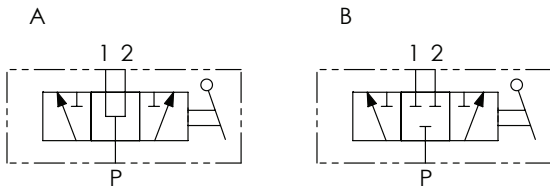


Speciality

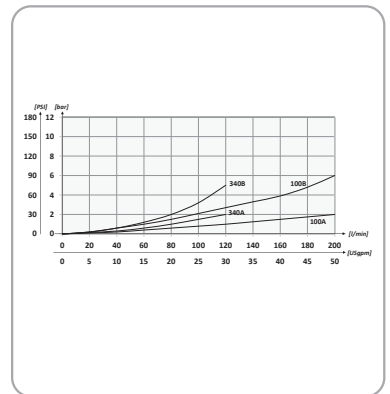
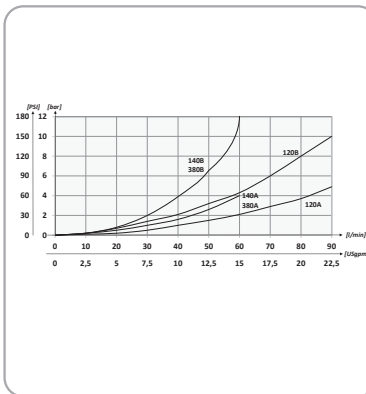
Mineral oil	ISO 6743/4
Oil viscosity	15-250 mm ² /s
Max contamination index with filter	ISO 4406:1999
Oil temperature	-20°C +80°C
Ambient temperature	-20°C +50°C
Max internal leakage	7 drops-min 200 bar

It is necessary a filter use to protect the valve (advised filtration 15 μm)

Control Port(s)



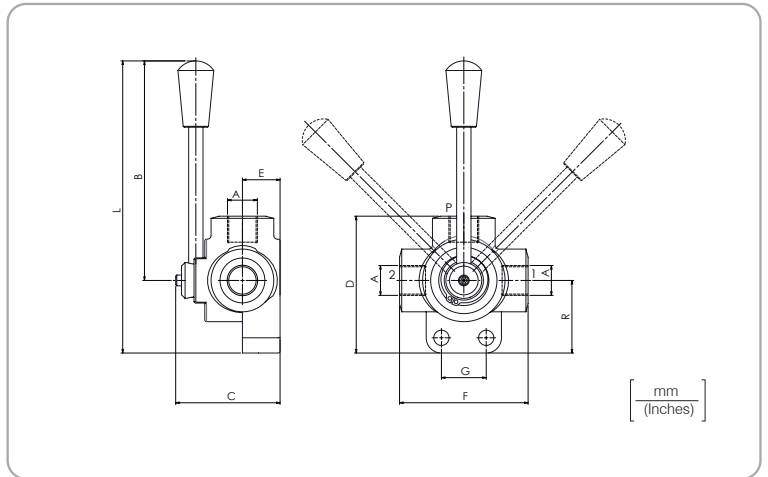
Performance



Ordering Code

1	2	3
DDF3		

Dimensions



01	(3 ways flow diverters)		DDF3
02	Size	BSPP 1/4	140
		BSPP 3/8	380
		BSPP 1/2	120
		BSPP 3/4	340
		BSPP 1	100
03	Circuit	(Open centre)	A
		(Closed centre)	B

Technical Characteristics

Type	A	Max flow l/minUSgpm	Max pressure bar/PSI	B	C	D	E	F	G	H	L	R	Approx weight kg/lb
DDF3 140	BSPP 1/4	60 (15.8)	350 (5075)	115 (4.53)	57 (2.24)	75,5 (2.97)	21 (0.83)	70 (2.76)	25 (0.98)	8,5 (0.33)	155,5 (6.12)	32 (1.26)	0,8 (1.8)
DDF3380	BSPP 3/8												
DDF3120	BSPP 1/2	90 (23.8)			63 (2.48)	86 (3.39)	24 (0.94)	80 (3.15)	32 (1.26)	10,5 (0.41)	161 (6.34)	36 (1.42)	1,3 (2.8)
DDF3340	BSPP 3/4	120 (31.7)			67 (2.64)	98,5 (3.88)	26 (1.02)	90 (3.54)			168,5 (6.63)	42 (1.65)	1,7 (3.7)
DDF3100	BSPP 1	200 (52.8)			300 (4350)	77 (3.03)	110 (4.33)	31 (1.22)	98 (3.86)	176,5 (6.95)	50 (1.97)	2,5 (5.5)	