

## Stop Fittings

### ISPL-G SERIES



#### Product features

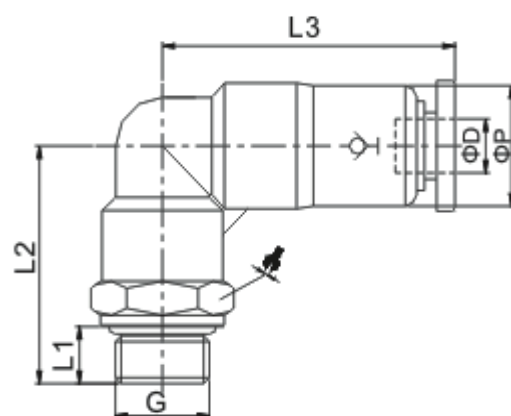
- Air flows is stopped from the tube if is released,the air flows again only after the tube is connected

#### Speciality

Fluid	Air (no other gases or liquids)
Operating Pressure	0-1.0MPa(150 psi)
Negative Pressure	-100Kpa(-29.5 in·Hg)
Operating Temperature	-60°C (32-140°F)
Applicable Tube	Polyurethane and Nylon

#### Dimension

MODEL	φD	G	L1	L2	L3	φp	✎
ISPL04-G01	4	G1/8	5.5	24.3	31	13	14
ISPL06-G01	6	G1/8	5.5	24.2	29.4	13	14
ISPL06-G02	6	G1/4	7.5	26.7	29.4	13	17
ISPL08-G01	8	G1/8	5.5	27	33	14.5	14
ISPL08-G02	8	G1/4	7.5	29.5	33	14.5	17
ISPL08-G03	8	G1/8	7.5	30	33	14.5	20
ISPL10-G02	10	G1/4	7.5	34.3	42.5	18	17
ISPL10-G03	10	G3/8	7.5	34.3	42.5	18	20
ISPL10-G04	10	G1/2	10	37.8	42.5	18	24
ISPL12-G02	12	G1/4	7.5	36	46.5	21	21
ISPL12-G03	12	G3/8	7.5	36	46.5	21	21
ISPL12-G04	12	G1/2	10	39	46.5	21	24



#### Graphical Symbols

