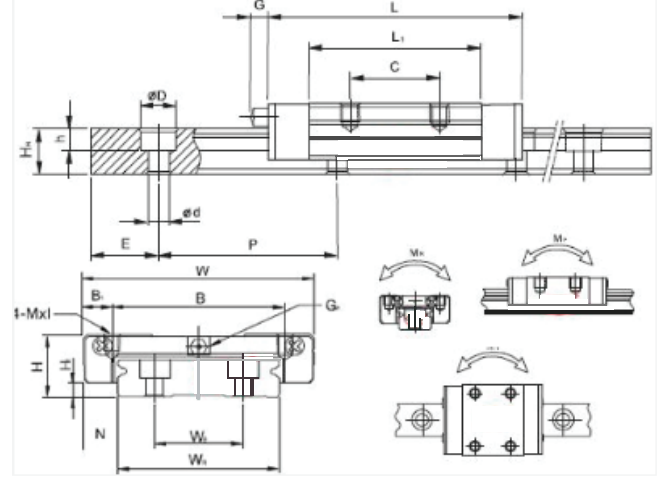
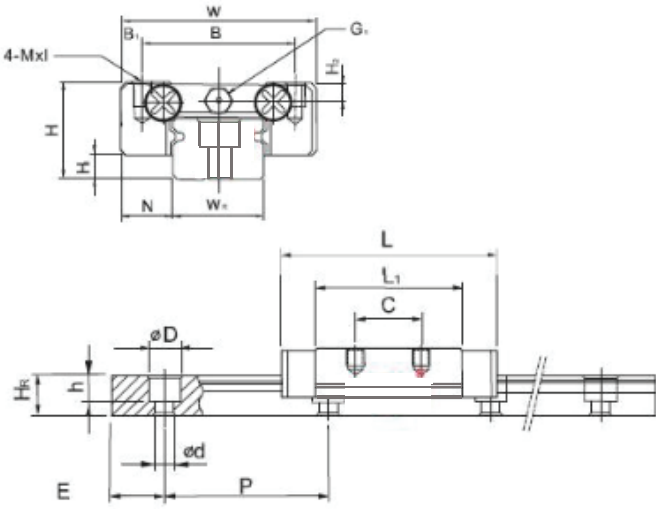


WINMAN MGW SERİSİ MİNİ LİNEER KILAVUZLAMA SİSTEMLERİ



Technical Drawings



MODEL NO.	Dimensions of Assembly (mm)			Dimensions of Block (mm)										Dimensions of Rail (mm)							
	H	H ₁	N	W	B	B ₁	C	L ₁	L	G	G _n	M×1	H ₂	W _R	W _B	H _R	D	h	d	P	E
MGW 7C	9	1.9	5.5	25	10	3	10	21	31.2	-	φ0.9	M3x3	1.85	14	-	8.2	6	3.2	3.5	30	10
MGW 7H	9	1.9	5.5	25	10	3	19	30.8	41	-	φ0.9	M3x3	1.85	14	-	8.2	6	3.2	3.5	30	10
MGW 9C	12	2.9	6	30	21	4.5	12	27.5	39.3	-	φ1.0	M3x3	2.4	18	-	7	6	4.5	3.5	30	10
MGW 9H	12	2.9	6	30	23	3.5	24	38.5	50.7	-	φ1.0	M3x3	2.4	18	-	7	6	4.5	3.5	30	10
MGW 12C	14	3.4	8	40	28	6	15	31.3	46.1	-	φ1.8	M3x3.6	2.8	24	-	8.5	8	4.5	4.5	40	15
MGW 12H	14	3.4	8	40	28	6	28	45.6	60.4	-	φ1.8	M3x3.6	2.8	24	-	8.5	8	4.5	4.5	40	15
MGW 15C	16	3.4	9	60	45	7.5	20	38	54.8	5.2	GN3S	M4x4.2	3.2	42	23	9.5	8	4.5	4.5	40	15
MGW 15H	16	3.4	9	60	45	7.5	35	57	73.8	5.2	GN3S	M4x4.2	3.2	42	23	9.5	8	4.5	4.5	40	15

WINMAN MGW SERİSİ MİNİ LİNEER KILAVUZLAMA SİSTEMLERİ

MODEL NO.	Mounting Bolt for Rail (mm)	Basic Dynamic Load Rating C(kN)	Basic Static Load Rating Co(kN)	Static Rated Moment			Weight	
				M _o kgf-m	M _x kgf-m	M _y kgf-m	Block (g)	Rail (kg/m)
MGW 7C	M3 x 6	1,40	2,10	1.6	0.73	0.73	20	0.51
MGW 7H	M3 x 6	1,80	3,20	2.39	1.58	1.58	29	0.51
MGW 9C	M3 x 8	2,80	4,20	4.09	1.93	1.93	40	0.91
MGW 9H	M3 x 8	3,50	6,00	5.56	3.47	3.47	57	0.91
MGW 12C	M4 x 8	4,00	5,70	7.17	2.83	2.83	71	1.49
MGW 12H	M4 x 8	5,20	8,40	10.47	5.85	5.85	103	1.49
MGW 15C	M4 x 10	6,90	9,40	20.32	5.78	5.78	143	2.86
MGW 15H	M4 x 10	9,10	14,10	30.48	12.5	12.5	215	2.86