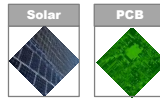


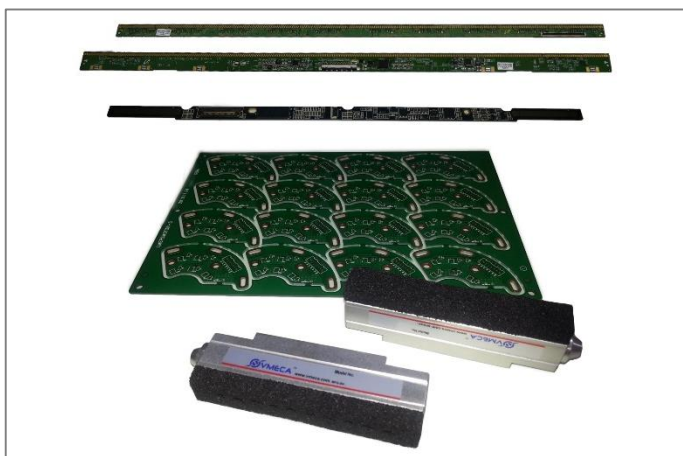
Mini VGRIP



Excellent performance for PCB and small size porous products



Products Structure Mini VGRIP



VMECA Mini VGRIP being used in Semiconductor Industry

Suitable for handling

Features & Strengths

- ▶ Integrated VMECA cartridge pump – Multi stage
- ▶ Excellent grip for both even & uneven surface products with Flexible sealing form
- ▶ Suitable for high speed application by high lifting force
- ▶ Easy installation & Maintenance

Products Structure

- ▶ Light weight and durable body
- ▶ VMECA cartridge pump (Multi-stage) integrated
- ▶ Low sound lever by innovative silencer
- ▶ Easily replace to flexible sealing form

Applications

- ▶ PCB board
- ▶ Solar cell
- ▶ Excellent grip for porous products handling

Mini VGRIP

Designation Ordering No.

| Model | Code | Model | Code |
|----------------|---------------|---------------|---------------|
| G20x108-C203-B | 1A99 0R00 000 | G16X60-C202-B | 1A99 1S00 000 |

Spare part Ordering data for Mini VGRIP



[Flexible Sealing foam – EPDM]

| Model | Code |
|-------------|---------------|
| G20X108-S08 | 191G 0190 301 |
| G16X60-S08 | 191G 0191 301 |

Performance Data

| Model | Max. Vacuum Level (-kPa) | Feed pressure (MPa) | Air Consumption | Working Temperature | Noise Level |
|----------------|--------------------------|---------------------|-------------------|---------------------|-------------|
| G20x108-C203-B | -90 kPa | 3~6 bar | 32 NI/min at 4bar | -20°C ~ 80 °C | 55 ~ 65 dBA |
| G16x60-C202-B | -90 kPa | 3~6 bar | 32 NI/min at 4bar | -20°C ~ 80 °C | 55 ~ 65 dBA |

| Model | Holding force at 60% Sealing (N) | Holding force at 80% Sealing (N) | Holding force at 100% Sealing (N) | Net weight (g) |
|----------------|----------------------------------|----------------------------------|-----------------------------------|----------------|
| G20x108-C203-B | 8 | 22 | 32 | 95 |
| G16x60-C202-B | 6.8 | 11 | 16 | 53.5 |

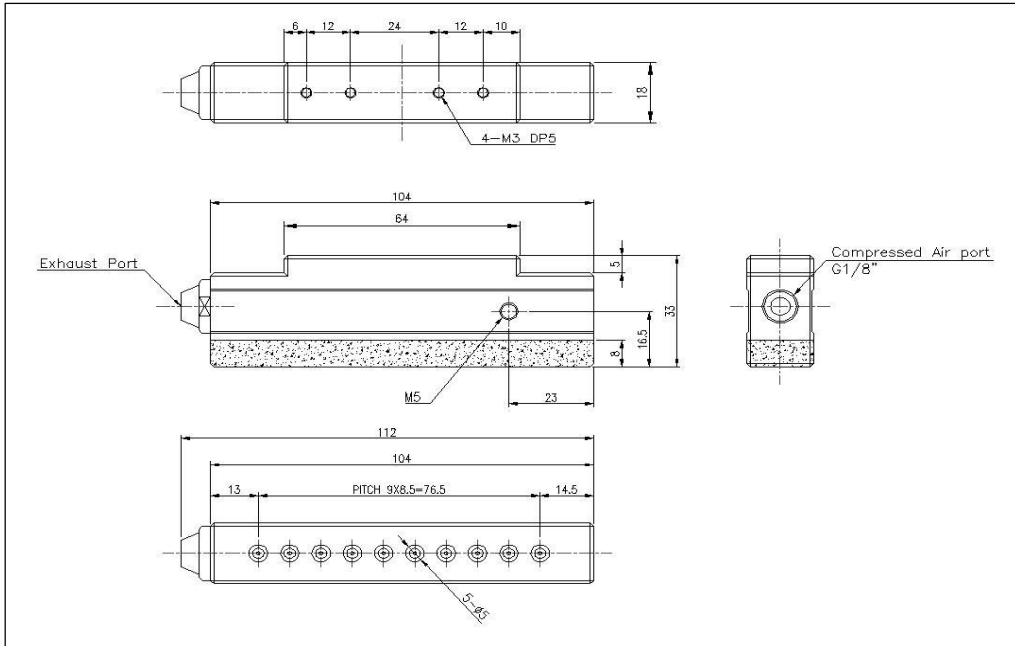
* Actual figure of Holding force might be different according to surface and porousness of product

* In above test result, the safety factor is not considered.

Mini VGRIP

Dimensional Data

G20x108-C203-B



G16x60-C202-B

