

Air Control Valves(QKF)

QKF-G SERIES

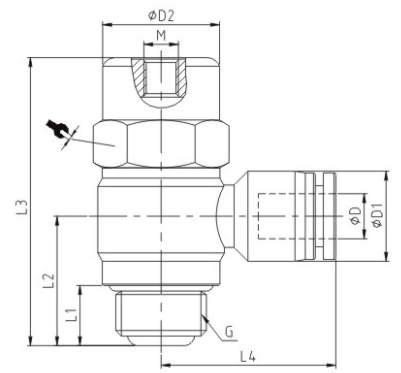


Product features

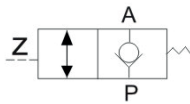
- The pressure can be kept safe of return circuit
- Prevent the cylinder work itself after it goes out of work
- The position accurate once the cylinder work off
- The special design and application of return circuit

Dimension

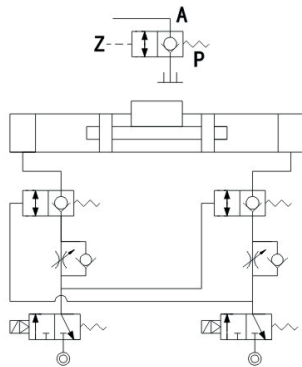
MODEL	φD	G	M	L1	L2	L3	L4	φD1	φD2	
QKF06-G01	6	G1/8	M5	5.5	15	37	23	8.5	13	
QKF06-G02	6	G1/4	M5	8.5	18.3	43	25	11.5	17	
QKF08-G01	8	G1/8	M5	5.5	15.8	37	25.8	12.5	13	
QKF08-G01	8	G1/4	M5	8.5	19.3	43	28.9	15.5	17	



Graphical Symbols



Accurate positioning



Pressure maintenance

