

Quick Connectiong Tube Fittings

WPD-G SERIES



Product features

One-Touch tube fittings are used in pneumatics piping.
 The tube fittings come in wide variety of models to meet all your needs in pneumatics piping.
 Even after installation, in direction of the tube can be changed freely.
 Nickel-plated metal body ensures Anti-Corrosion and Anti-Contamination.
 All R and NPT threads are Pre-Costed sealant.
 All cylindrical threads are standard with O-Ring seals.

Speciality

Fluid	Air, Vacuum
Operating Pressure	0-1.0MPa (150 psi)
Negative Pressure	-100KPa(-29.5 in-Hg)
Max Pressure	1.5MPa
Operating Temperature	0-60°C(32-140°F)
Applicable Tube	Polyurethane and Nylon

Ordering Code

W	PC	8	-	01	-	*
(1)	(2)	(3)		(4)		(5)

Metric Size

Code	4	5	6	7	8	9	10	11	12	13	14	15	16
Tube Outer Diameter mm	φ4	φ5	φ6	φ7	φ8	φ9	φ10	φ11	φ12	φ13	φ14	φ15	φ16

Inch Size

Code	5/32	3/16	1/4	5/16	3/8	1/2
Tube Outer Diameter mm	φ5/32	φ3/16	φ1/4	φ5/16	φ3/8	φ1/2

(4) Thread type and size

Metric Size

Code	M5	M6	M8	M10	M12	M12A	M14	M16	M20
Thread	M5*0.8	M6*1	M8*1	M10*1	M12*1.25	M12*1.5	M14*1.5	M16*1.5	M20*1.5

55° Taper Pipe Thread (NPT)

55° Taper Pipe Thread (NPT)

Code	01	02	03	04	06
Thread	R1/8	R1/4	R3/8	R1/2	R3/4

Code	G01	G02	G03	G04	G06
Thread	G1/8	G1/4	G3/8	G1/2	G3/4

UNF

60° American Standard Taper Pipe Thread (NPT)

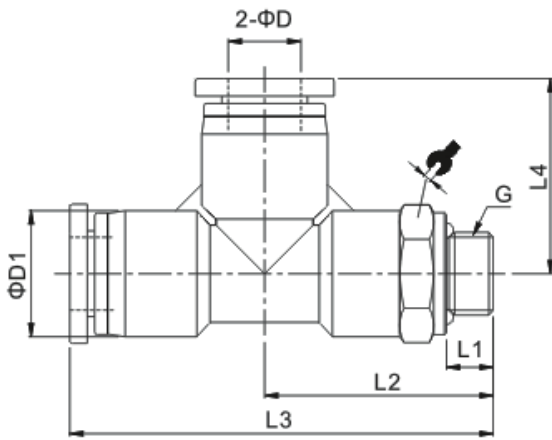
Code	U10	NO1	NO2	NO3	NO4	NO6
Thread	10-32UNF	NPT1/8	NPT1/8	NPT1/4	NPT1/2	NPT3/4

Note: The external dimension of fitting size is connected the outer diameter odd no. (φ5, φ7, φ9, φ11, φ13) will be suit φ6, φ10, φ12, φ14

Quick Connecting Tube Fittings

WPD-G SERIES

Dimensions



MODEL	φD	G	L1	L2	L3	L4	φD1	
WPD04-G01	4	G1/8	5.5	25.5	44.5	19	11.5	14
WPD04-G02	4	G1/4	7.5	28	47	19	11.5	17
WPD06-G01	6	G1/8	5.5	25.7	44.9	19.2	1.5	20
WPD06-G02	6	G1/4	7.5	28.2	47.5	19.2	13.5	14
WPD06-G03	6	G3/8	7.5	28.7	48	19.2	13.5	17
WPD06-G04	6	G1/2	10	31.2	50.5	19.2	13.5	20
WPD08-G01	8	G1/8	5.5	29	51.5	22.5	13.5	24
WPD08-G02	8	G1/4	7.5	31.5	54	22.5	15	14
WPD08-G03	8	G3/8	7.5	32	54.5	22.5	15	17
WPD08-G04	8	G1/2	10	34.5	57	22.5	15	20
WPD10-G01	10	G1/8	5.5	34.5	63	27.8	15	24
WPD10-G02	10	G1/4	7.5	37	65.5	27.8	19	17
WPD10-G03	10	G3/8	7.5	37	65.5	27.8	19	17
WPD10-G04	10	G1/2	10	40.5	69	27.8	19	20
WPD12-G01	12	G1/8	5.5	36	65.5	29.5	19	24
WPD12-G02	12	G1/4	7.5	38.5	68	29.5	21.5	21
WPD12-G03	12	G3/8	7.5	38.5	68	29.5	21.5	21
WPD12-G04	12	G1/2	10	41.5	71	29.5	21.5	21
WPD14-G03	14	G3/8	7.5	39.5	66.5	27	21.5	24
WPD14-G04	14	G1/2	10	43	66.5	27	23.5	22
WPD15-G03	15	G3/8	7.5	42.5	75.5	33	23.5	24
WPD15-G04	15	G1/2	10	44	77	33	26.5	24
WPD16-G03	16	G3/8	7.5	42.5	75.5	33	26.5	24
WPD16-G04	16	G1/2	10	44	77	33	26.5	24